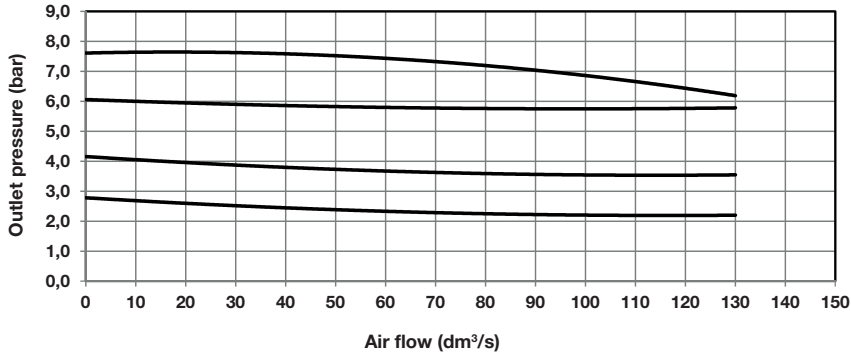


Flow characteristics

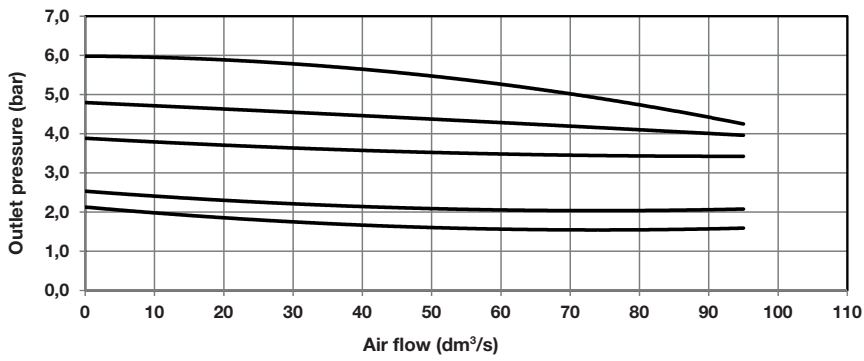
Inlet pressure: 10 bar (145 psi)

Port size: 1/2"











Inlet pressure: 7 bar (101 psi)





Port size: 1/2"



Accessories

<p>Quikclamp®</p>  <p>Page 4 840014-51KIT</p>	<p>Quikclamp® with bracket assembled</p>  <p>Page 4 840014-52KIT</p>	<p>NECK mounting bracket & Panel nut</p>  <p>Page 5 840068-51KIT</p>	<p>Panel mounting nut</p>  <p>Page 5 840048-89KIT</p>	<p>Mounting bracket</p>  <p>Page 5 840024-50KIT</p>
--	---	---	--	--

<p>Integrated gauge 10 bar gauge</p>  <p>840073-01KIT</p>	<p>Integrated gauge 20 bar gauge</p>  <p>840073-02KIT</p>	<p>Gauge adaptor kit 1/8 PTF</p>  <p>840100-01KIT</p>	<p>Gauge adaptor kit R 1/8</p>  <p>840100-02KIT</p>
---	---	---	---

<p>Pressure sensing block 1/4 PTF</p>  <p>Page 5 840016-50KIT</p>	<p>Pressure sensing block G1/4</p>  <p>Page 5 840016-51KIT</p>	<p>Padlock</p>  <p>840055-01KIT</p>	<p>Lockout device</p>  <p>840055-02KIT</p>
---	--	--	---

<p>Full flow porting block 3/4 PTF</p>  <p>Page 5 840028-50KIT</p>	<p>Full flow porting block G3/4</p>  <p>Page 5 840028-53KIT</p>	<p>Pressure switch interface block (18D pressure switch)</p>  <p>Page 6 0337717000000000</p>	<p>Pneumatic pressure switch 18D (0,5 ... 8 bar) *1)</p>  <p>Page 6 0881300</p>	<p>Digital pressure switch 51D (-1 ... 10 bar) *2)</p>  <p>Page 7 0860810</p>
---	--	---	--	--

*1) Flanged version. For other pressure ranges, please see data sheet 5.11.001

*2) For other pressure ranges, please see data sheet 5.11.385

Gauges (For regulators with gauge port instead of integrated port)

Center back connection, white face
(for full technical specification see datasheet 8.900.900)



Pressure range

(bar) *3)	(MPa)	(psi)	ø	Thread size	Model
0 ... 6	0 ... 0,6	0 ... 84	50 mm	R1/8	18-015-012
0 ... 10	0 ... 1	0 ... 145	50 mm	R1/8	18-015-013
0 ... 25	0 ... 2,5	0 ... 362	50 mm	R1/8	18-015-014

*3) primary scale

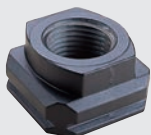
Service kits

R84 / B84 Elastomere kit



FRLB84-Kit

Port Adaptors

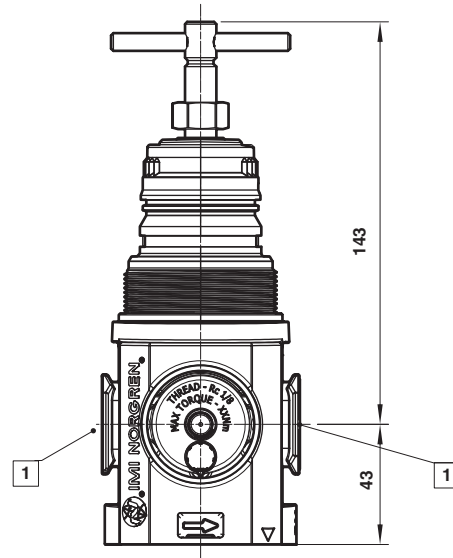
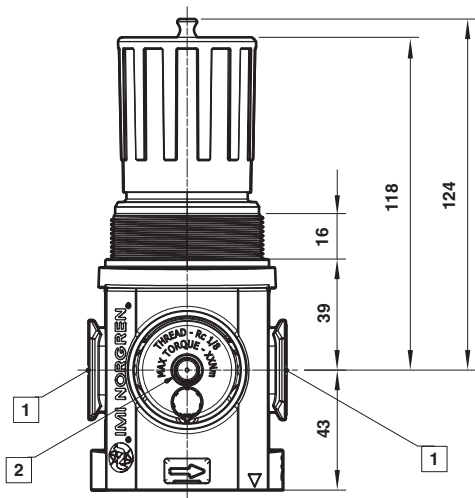
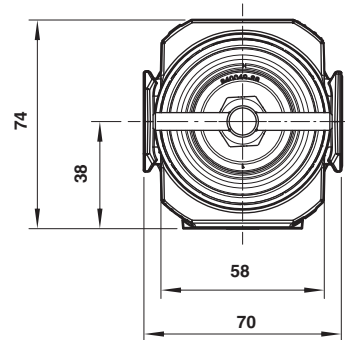
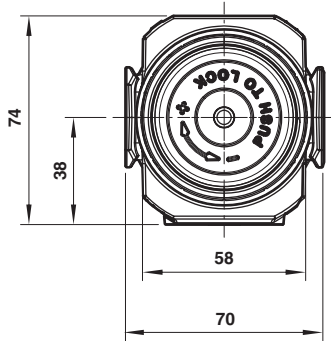


Page 6

3/8 PTF	840015-02KIT
1/2 PTF	840015-03KIT
3/4 PTF	840015-04KIT
G3/8	840015-10KIT
G1/2	840015-11KIT
G3/4	840015-12KIT

Dimensions

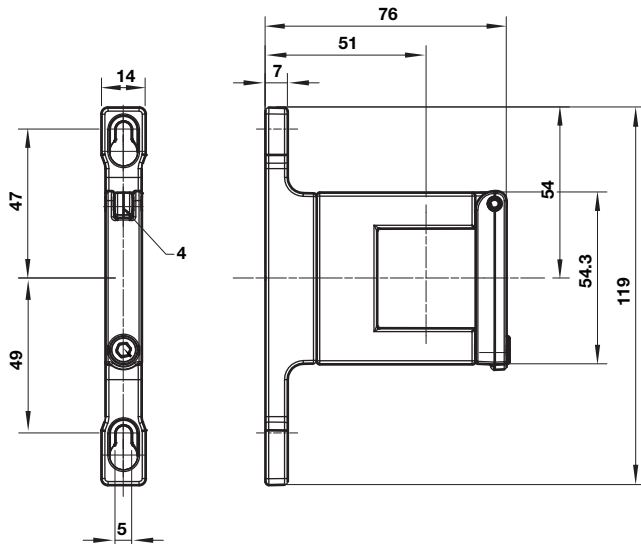
Dimensions in mm
Projection/Third angle



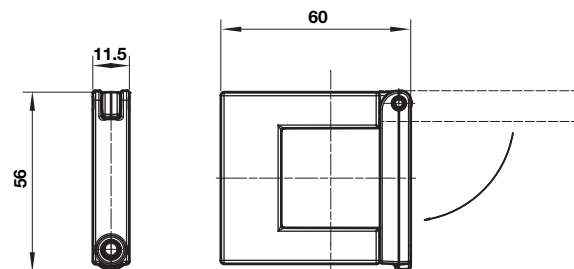
- 1 Main ports 3/8", 1/2" or 3/4" (ISO G/PTF)
- 2 Gauge Port Rc 1/8 for ISO G and 1/8 PTF for PTF main ports

Accessories

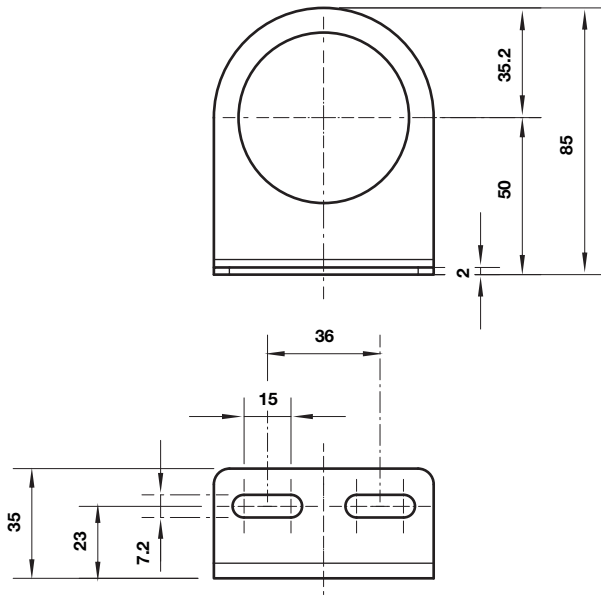
Quikclamp® with wall bracket



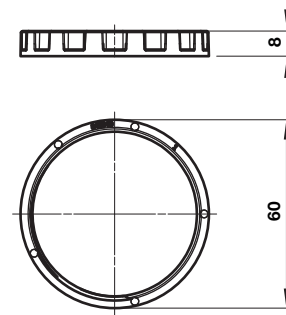
Quikclamp®



Neck mounting bracket



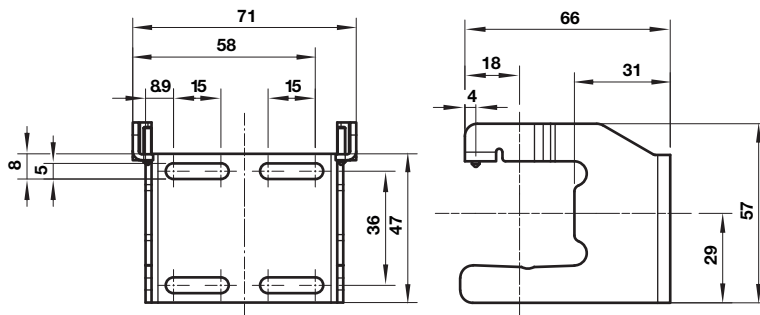
Panel mounting nut



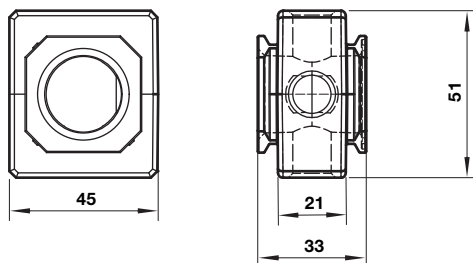
Dimensions in mm
Projection/Third angle



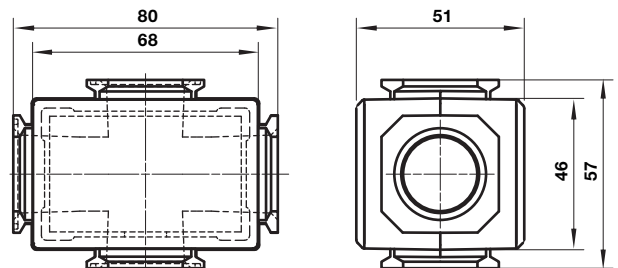
Mounting bracket



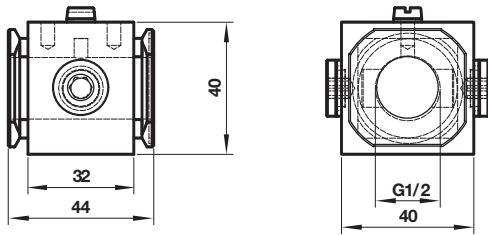
Pressure sensing block



Full flow porting block

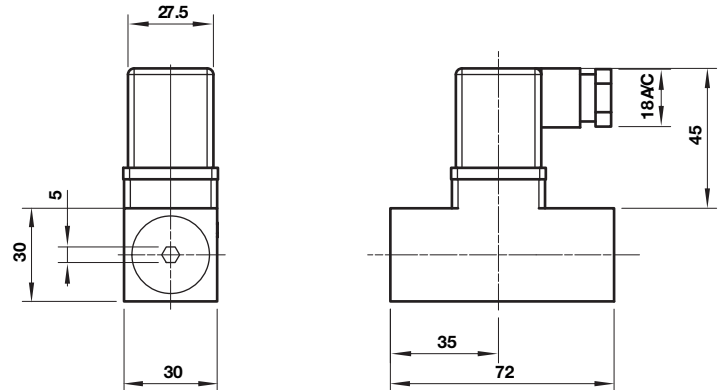


Porting block for
18D pressure switch

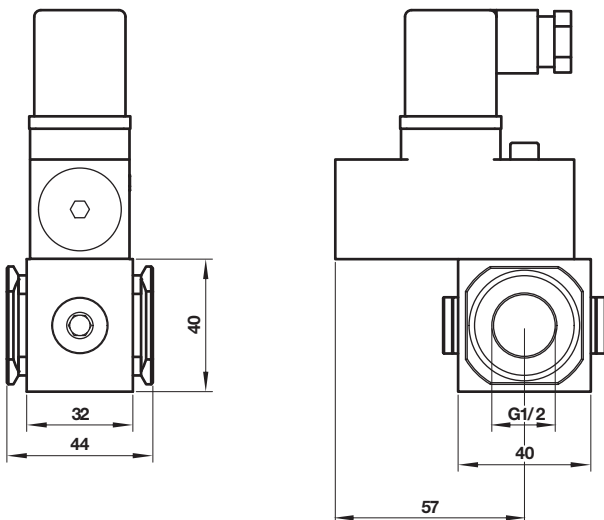


18D Pressure switch

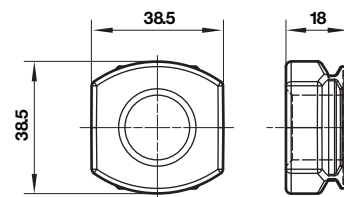
Dimensions in mm
Projection/Third angle



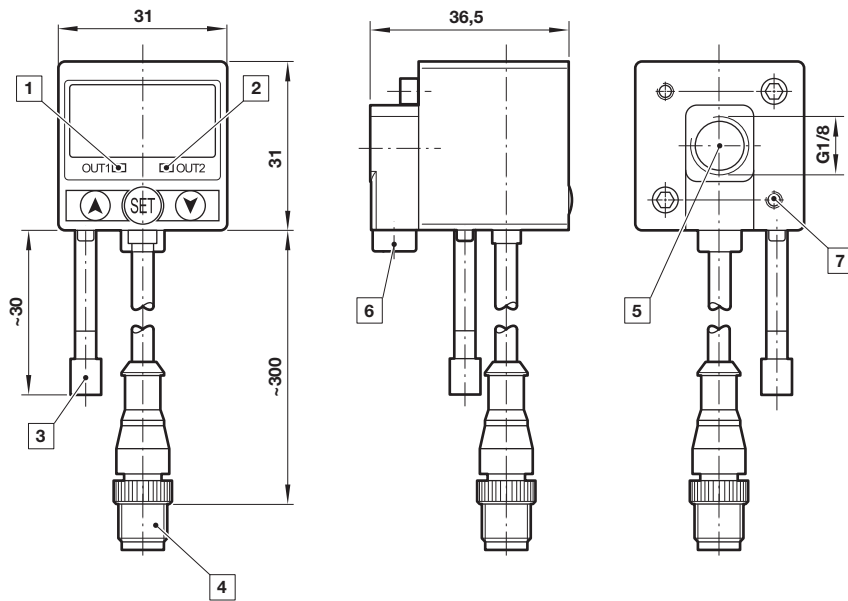
18D Porting block and
18D assembled



Pipe adaptor



51D Pressure switch - digital

 Dimensions in mm
 Projection/Third angle


- 1 Switch OUT 1, green LED
- 2 Switch OUT 2, red LED
- 3 Dustproof protector
- 4 Connector M12 x 1
- 5 Inlet port
- 6 Alternative inlet port G1/8 plugged
- 7 Thread for mounting screw

Warning

These products are intended for use in industrial compressed air systems only. Do not use these products where pressures and temperatures can exceed those listed under »**Technical features/data**«.

Before using these products with fluids other than those specified, for non-industrial applications, life-support systems or other applications not within published specifications, consult IMI Precision Engineering, Norgren Ltd.

Through misuse, age, or malfunction, components used in fluid power systems can fail in various modes. The system designer is warned to consider the failure modes of all component parts used in fluid power systems and to provide adequate safeguards to prevent personal injury or damage to equipment in the event of such failure.

System designers must provide a warning to end users in the system instructional manual if protection against a failure mode cannot be adequately provided.

System designers and end users are cautioned to review specific warnings found in instruction sheets packed and shipped with these products.