

# Regulating Pulse Width Modulator

## FEATURES

- Reduced Supply Current
- Oscillator Frequency to 600kHz
- Precision Band-Gap Reference
- 7 to 35V Operation
- Dual 200mA Source/Sink Outputs
- Minimum Output Cross-Conduction
- Double-Pulse Suppression Logic
- Under-Voltage Lockout
- Programmable Soft-Start
- Thermal Shutdown
- TTL/CMOS Compatible Logic Ports
- 5 Volt Operation ( $V_{IN} = V_C = V_{REF} = 5.0V$ )

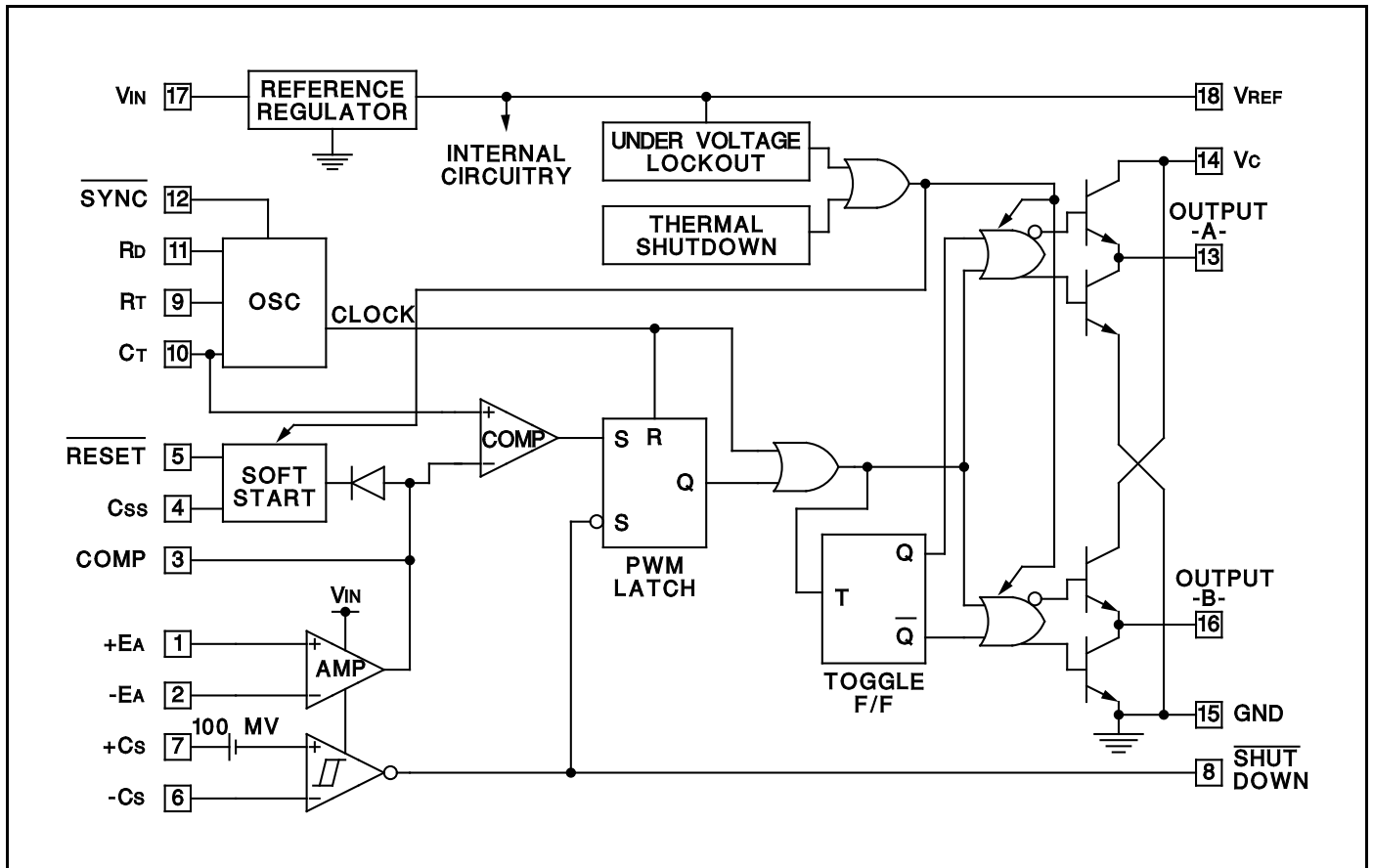
## DESCRIPTION

The UC1526A Series are improved-performance pulse-width modulator circuits intended for direct replacement of equivalent non- "A" versions in all applications. Higher frequency operation has been enhanced by several significant improvements including: a more accurate oscillator with less minimum dead time, reduced circuit delays (particularly in current limiting), and an improved output stage with negligible cross-conduction current. Additional improvements include the incorporation of a precision, band-gap reference generator, reduced overall supply current, and the addition of thermal shutdown protection.

Along with these improvements, the UC1526A Series retains the protective features of under-voltage lockout, soft-start, digital current limiting, double pulse suppression logic, and adjustable deadtime. For ease of interfacing, all digital control ports are TTL compatible with active low logic.

Five volt (5V) operation is possible for "logic level" applications by connecting  $V_{IN}$ ,  $V_C$  and  $V_{REF}$  to a precision 5V input supply. Consult factory for additional information.

## BLOCK DIAGRAM



**ABSOLUTE MAXIMUM RATINGS** (Note 1, 2)

|  |                 |
|--|-----------------|
| Input Voltage (+VIN) . . . . .                     | +40V            |
| Collector Supply Voltage (+Vc) . . . . .           | +40V            |
| Logic Inputs . . . . .                             | -0.3V to +5.5V  |
| Analog Inputs . . . . .                            | -0.3V to +VIN   |
| Source/Sink Load Current (each output) . . . . .   | 200mA           |
| Reference Load Current . . . . .                   | 50mA            |
| Logic Sink Current . . . . .                       | 15mA            |
| Power Dissipation at TA = +25°C (Note 2) . . . . . | 1000mW          |
| Power Dissipation at Tc = +25°C (Note 2) . . . . . | 3000mW          |
| Operating Junction Temperature . . . . .           | +150°C          |
| Storage Temperature Range . . . . .                | -65°C to +150°C |
| Lead Temperature (soldering, 10 seconds) . . . . . | +300°C          |

Note 1: Values beyond which damage may occur.  
Note 2: Consult packaging Section of Databook for thermal limitations and considerations of package.

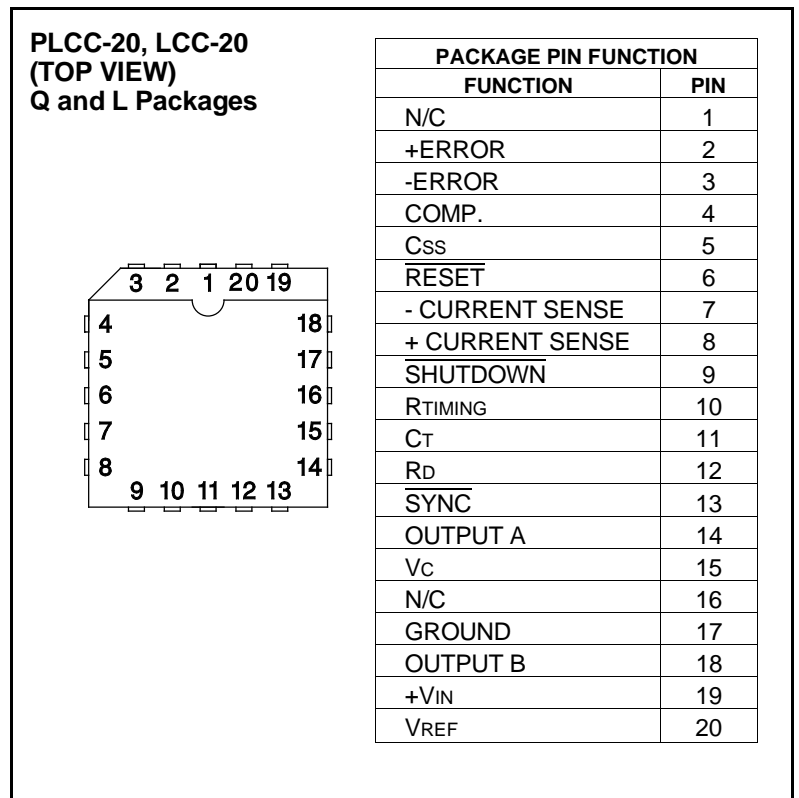
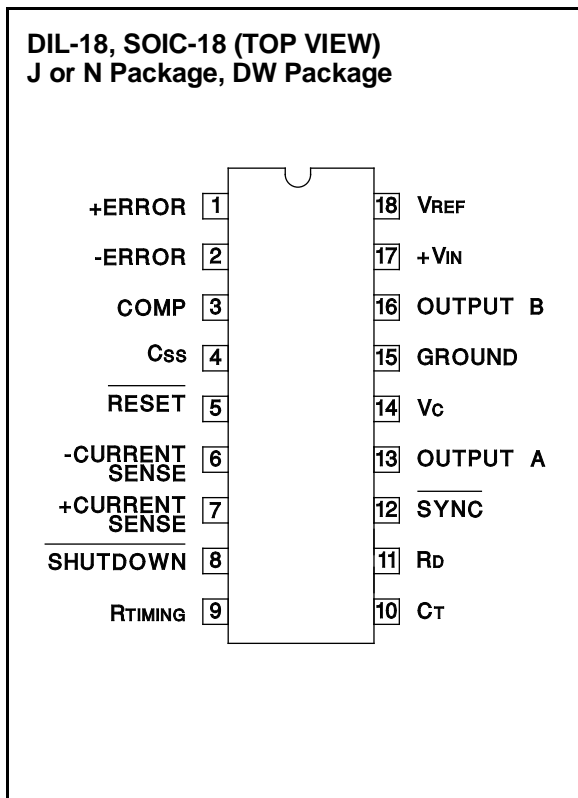
**RECOMMENDED OPERATING CONDITIONS**

(Note 3)

|  |                 |
|--|-----------------|
| Input Voltage . . . . .                          | +7V to +35V     |
| Collector Supply Voltage . . . . .               | +4.5V to +35V   |
| Sink/Source Load Current (each output) . . . . . | 0 to 100mA      |
| Reference Load Current . . . . .                 | 0 to 20mA       |
| Oscillator Frequency Range . . . . .             | 1Hz to 600kHz   |
| Oscillator Timing Resistor . . . . .             | 2kΩ to 150kΩ    |
| Oscillator Timing Capacitor . . . . .            | 400pF to 20μF   |
| Available Deadtime Range at 40kHz . . . . .      | 1% to 50%       |
| Operating Ambient Temperature Range              |                 |
| UC1526A . . . . .                                | -55°C to +125°C |
| UC2526A . . . . .                                | -25°C to +85°C  |
| UC3526A . . . . .                                | 0°C to +70°C    |

Note 3: Range over which the device is functional and parameter limits are guaranteed.

**CONNECTION DIAGRAMS**



**ELECTRICAL CHARACTERISTICS:** +V<sub>IN</sub> = 15V, and over operating ambient temperature, unless otherwise specified T<sub>A</sub> = T<sub>J</sub>.

| PARAMETER  | TEST CONDITIONS  | UC1526A / UC2526A |      |       | UC3526A |      |       | UNITS |
|--|--|-------------------|------|-------|---------|------|-------|-------|
|  |  | MIN               | TYP  | MAX   | MIN     | TYP  | MAX   |       |
| <b>Reference Section (Note 4)</b>                |  |                   |      |       |         |      |       |       |
| Output Voltage                                   | T <sub>J</sub> = +25°C   | 4.95              | 5.00 | 5.05  | 4.90    | 5.00 | 5.10  | V     |
| Line Regulation                                  | +V <sub>IN</sub> = 7 to 35V  |                   | 2    | 10    |         | 2    | 15    | mV    |
| Load Regulation                                  | I <sub>L</sub> = 0 to 20mA   |                   | 5    | 20    |         | 5    | 20    | mV    |
| Temperature Stability                            | Over Operating T <sub>J</sub> (Note 5)                                       |                   | 15   | 50    |         | 15   | 50    | mV    |
| Total Output Voltage Range                       | Over Recommended Operating Conditions  | 4.90              | 5.00 | 5.10  | 4.85    | 5.00 | 5.15  | V     |
| Short Circuit Current                            | V <sub>REF</sub> = 0V  | 25                | 50   | 100   | 25      | 50   | 100   | mA    |
| <b>Under-Voltage Lockout</b>                     |  |                   |      |       |         |      |       |       |
| RESET Output Voltage                             | V <sub>REF</sub> = 3.8V  |                   | 0.2  | 0.4   |         | 0.2  | 0.4   | V     |
|  | V <sub>REF</sub> = 4.7V  | 2.4               | 4.7  |       | 2.4     | 4.8  |       | V     |
| <b>Oscillator Section (Note 6)</b>               |  |                   |      |       |         |      |       |       |
| Initial Accuracy                                 | T <sub>J</sub> = +25°C   |                   | ±3   | ±8    |         | ±3   | ±8    | %     |
| Voltage Stability                                | +V <sub>IN</sub> = 7 to 35V  |                   | 0.5  | 1     |         | 0.5  | 1     | %     |
| Temperature Stability                            | Over Operating T <sub>J</sub> (Note 5)                                       |                   | 2    | 6     |         | 1    | 3     | %     |
| Minimum Frequency                                | R <sub>T</sub> = 150kΩ, C <sub>T</sub> = 20μF (Note 5)                       |                   |      | 1     |         |      | 1     | Hz    |
| Maximum Frequency                                | R <sub>T</sub> = 2kΩ, C <sub>T</sub> = 470pF                                 | 550               |      |       | 650     |      |       | kHz   |
| Sawtooth Peak Voltage                            | +V <sub>IN</sub> = 35V   |                   | 3.0  | 3.5   |         | 3.0  | 3.5   | V     |
| Sawtooth Valley Voltage                          | +V <sub>IN</sub> = 7V  | 0.5               | 1.0  |       | 0.5     | 1.0  |       | V     |
| SYNC Pulse Width                                 | T <sub>J</sub> = 25°C, R <sub>L</sub> = 2.7kΩ to V <sub>REF</sub>            |                   | 1.1  |       |         | 1.1  |       | μs    |
| <b>Error Amplifier Section (Note 7)</b>          |  |                   |      |       |         |      |       |       |
| Input Offset Voltage                             | R <sub>S</sub> ≤ 2kΩ   |                   | 2    | 5     |         | 2    | 10    | mV    |
| Input Bias Current                               |  |                   | -350 | -1000 |         | -350 | -2000 | nA    |
| Input Offset Current                             |  |                   | 35   | 100   |         | 35   | 200   | nA    |
| DC Open Loop Gain                                | R <sub>L</sub> ≥ 10MΩ  | 64                | 72   |       | 60      | 72   |       | dB    |
| HIGH Output Voltage                              | V <sub>PIN 1</sub> - V <sub>PIN 2</sub> ≥ 150mV, I <sub>SOURCE</sub> = 100μA | 3.6               | 4.2  |       | 3.6     | 4.2  |       | V     |
| LOW Output Voltage                               | V <sub>PIN 2</sub> - V <sub>PIN 1</sub> ≥ 150mV, I <sub>SINK</sub> = 100μA   |                   | 0.2  | 0.4   |         | 0.2  | 0.4   | V     |
| Common Mode Rejection                            | R <sub>S</sub> ≤ 2kΩ   | 70                | 94   |       | 70      | 94   |       | dB    |
| Supply Voltage Rejection                         | +V <sub>IN</sub> = 12 to 18V   | 66                | 80   |       | 66      | 80   |       | dB    |
| <b>PWM Comparator (Note 6)</b>                   |  |                   |      |       |         |      |       |       |
| Minimum Duty Cycle                               | V <sub>COMPENSATION</sub> = +0.4V  |                   |      | 0     |         |      | 0     | %     |
| Maximum Duty Cycle                               | V <sub>COMPENSATION</sub> = +3.6V  | 45                | 49   |       | 45      | 49   |       | %     |
| <b>Digital Ports (SYNC, SHUTDOWN, and RESET)</b> |  |                   |      |       |         |      |       |       |
| HIGH Output Voltage                              | I <sub>SOURCE</sub> = 40μA   | 2.4               | 4.0  |       | 2.4     | 4.0  |       | V     |
| LOW Output Voltage                               | I <sub>SINK</sub> = 3.6mA  |                   | 0.2  | 0.4   |         | 0.2  | 0.4   | V     |
| HIGH Input Current                               | V <sub>IH</sub> = +2.4V  |                   | -125 | -200  |         | -125 | -200  | μA    |
| LOW Input Current                                | V <sub>IL</sub> = +0.4V  |                   | -225 | -360  |         | -225 | -360  | μA    |
| Shutdown Delay                                   | From Pin 8, T <sub>J</sub> = 25°C  |                   | 160  |       |         | 160  |       | ns    |
| <b>Current Limit Comparator (Note 8)</b>         |  |                   |      |       |         |      |       |       |
| Sense Voltage                                    | R <sub>S</sub> ≤ 50Ω   | 90                | 100  | 110   | 80      | 100  | 120   | mV    |
| Input Bias Current                               |  |                   | -3   | -10   |         | -3   | -10   | μA    |
| Shutdown Delay                                   | From pin 7, 100mV Overdrive, T <sub>J</sub> = 25°C                           |                   | 260  |       |         | 260  |       | ns    |

Note 4: I<sub>L</sub> = 0mA.

Note 5: Guaranteed by design, not 100% tested in production.

Note 6: F<sub>OSC</sub> = 40kHz, (R<sub>T</sub> = 4.12kΩ ± 1%, C<sub>T</sub> = 0.01μF ± 1%, R<sub>D</sub> = 0Ω).

Note 7: V<sub>CM</sub> = 0 to +5.2V

Note 8: V<sub>CM</sub> = 0 to +12V.

Note 9: V<sub>C</sub> = +15V.

Note 10: V<sub>IN</sub> = +35V, R<sub>T</sub> = 4.12kΩ.

**ELECTRICAL CHARACTERISTICS:** +VIN = 15V, and over operating ambient temperature, unless otherwise specified TA = TJ.

| PARAMETER                                    | TEST CONDITIONS                             | UC1526A<br>UC2526A |      |     | UC3526A |      |     | UNITS         |
|--|---|--------------------|------|-----|---------|------|-----|---------------|
|  |   | MIN                | TYP  | MAX | MIN     | TYP  | MAX |               |
| <b>Soft-Start Section</b>                    |   |                    |      |     |         |      |     |               |
| Error Clamp Voltage                          | $\overline{\text{RESET}} = +0.4\text{V}$    |                    | 0.1  | 0.4 |         | 0.1  | 0.4 | V             |
| Cs Charging Current                          | $\overline{\text{RESET}} = +2.4\text{V}$    | 50                 | 100  | 150 | 50      | 100  | 150 | $\mu\text{A}$ |
| <b>Output Drivers (Each Output) (Note 9)</b> |   |                    |      |     |         |      |     |               |
| HIGH Output Voltage                          | ISOURCE = 20mA                              | 12.5               | 13.5 |     | 12.5    | 13.5 |     | V             |
|  | ISOURCE = 100mA                             | 12                 | 13   |     | 12      | 13   |     | V             |
| LOW Output Voltage                           | ISINK = 20mA                                |                    | 0.2  | 0.3 |         | 0.2  | 0.3 | V             |
|  | ISINK = 100mA                               |                    | 1.2  | 2.0 |         | 1.2  | 2.0 | V             |
| Collector Leakage                            | VC = 40V                                    |                    | 50   | 150 |         | 50   | 150 | $\mu\text{A}$ |
| Rise Time                                    | CL = 1000pF (Note 5)                        |                    | 0.3  | 0.6 |         | 0.3  | 0.6 | $\mu\text{s}$ |
| Fall Time                                    | CL = 1000pF (Note 5)                        |                    | 0.1  | 0.2 |         | 0.1  | 0.2 | $\mu\text{s}$ |
| Cross-Conduction Charge                      | Per cycle, TJ = 25°C                        |                    | 8    |     |         | 8    |     | nC            |
| <b>Power Consumption (Note 10)</b>           |   |                    |      |     |         |      |     |               |
| Standby Current                              | $\overline{\text{SHUTDOWN}} = +0.4\text{V}$ |                    | 14   | 20  |         | 14   | 20  | mA            |

Note 4:  $I_L = 0\text{mA}$ .

Note 5: Guaranteed by design, not 100% tested in production.

Note 6:  $F_{\text{osc}} = 40\text{kHz}$ , ( $R_T = 4.12\text{k}\Omega \pm 1\%$ ,  $C_T = 0.01\mu\text{F} \pm 1\%$ ,  $R_D = 0\Omega$ ).

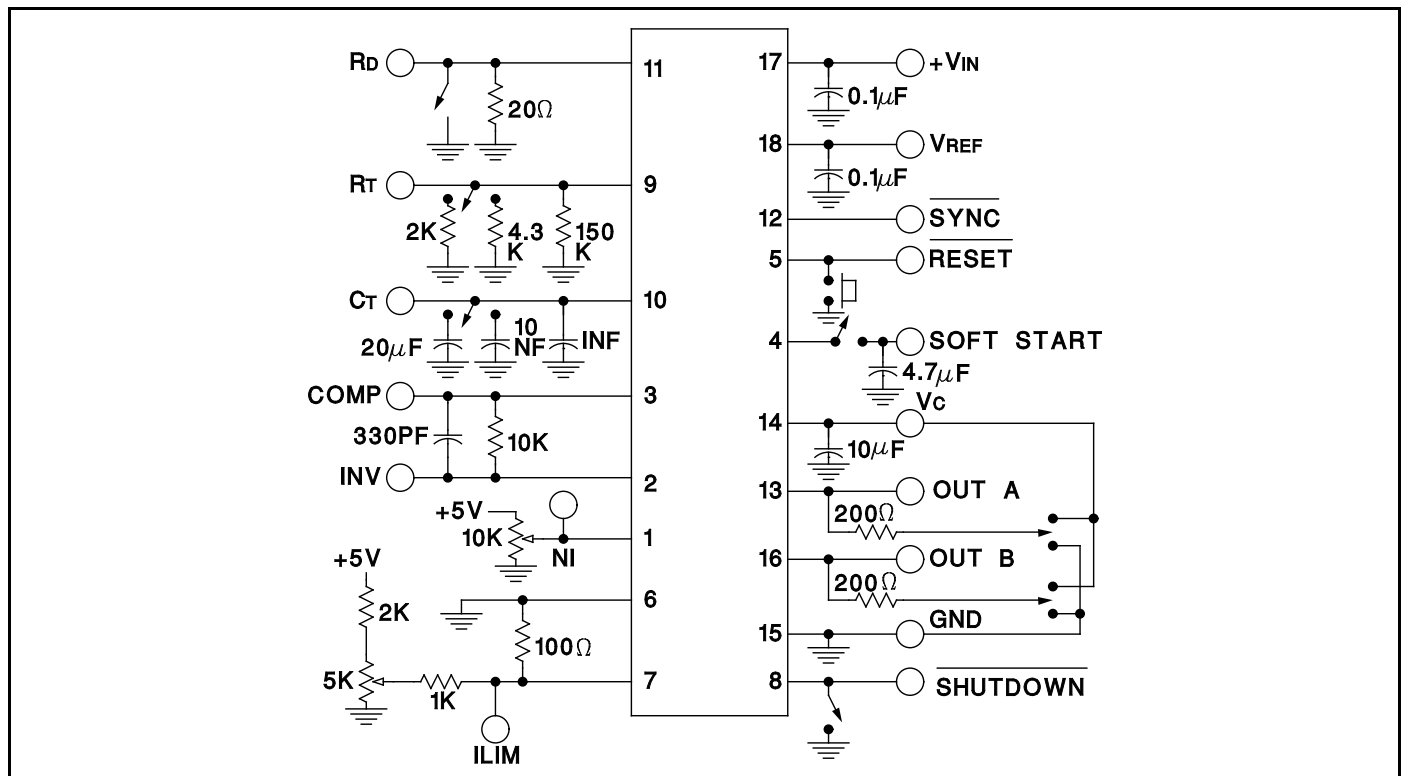
Note 7:  $V_{\text{CM}} = 0$  to  $+5.2\text{V}$

Note 8:  $V_{\text{CM}} = 0$  to  $+12\text{V}$ .

Note 9:  $V_C = +15\text{V}$ .

Note 10:  $V_{\text{IN}} = +35\text{V}$ ,  $R_T = 4.12\text{k}\Omega$ .

### Open Loop Test Circuit UC1526A



## APPLICATIONS INFORMATION

### Voltage Reference

The reference regulator of the UC1526A is based on a precision band-gap reference, internally trimmed to  $\pm 1\%$  accuracy. The circuitry is fully active at supply voltages above +7V, and provides up to 20mA of load current to external circuitry at +5.0V. In systems where additional current is required, an external PNP transistor can be used to boost the available current. A rugged low frequency audio-type transistor should be used, and lead lengths between the PWM and transistor should be as short as possible to minimize the risk of oscillations. Even so, some types of transistors may require collector-base capacitance for stability. Up to 1 amp of load current can be obtained with excellent regulation if the device selected maintains high current gain.

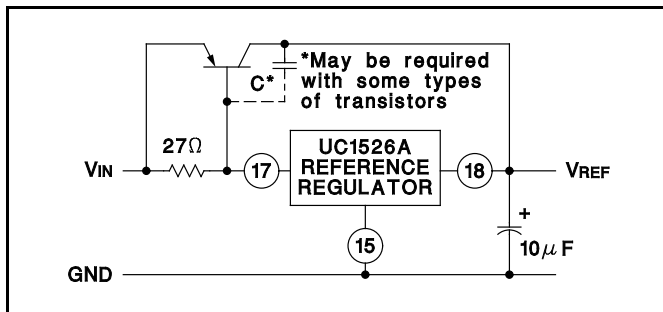


Figure 1. Extending Reference Output Current

### Under-Voltage Lockout

The under-voltage lockout circuit protects the UC1526A and the power devices it controls from inadequate supply voltage. If +VIN is too low, the circuit disables the output drivers and holds the RESET pin LOW. This prevents spurious output pulses while the control circuitry is stabilizing, and holds the soft-start timing capacitor in a discharged state.

The circuit consists of a +1.2V bandgap reference and comparator circuit which is active when the reference voltage has risen to  $3V_{BE}$  or +1.8V at 25°C. When the reference voltage rises to approximately +4.4V, the circuit enables the output drivers and releases the RESET pin, allowing a normal soft-start. The comparator has 350mV of hysteresis to minimize oscillation at the trip point. When +VIN to the PWM is removed and the reference drops to +4.2V, the under-voltage circuit pulls RESET LOW again. The soft-start capacitor is immediately discharged, and the PWM is ready for another soft-start cycle.

The UC1526A can operate from a +5V supply by connecting the VREF pin to the +VIN pin and maintaining the supply between +4.8 and +5.2V.

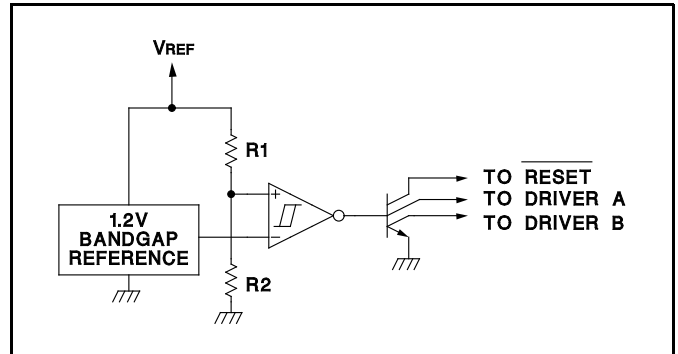


Figure 2. Under-Voltage Lockout Schematic

### Soft-Start Circuit

The soft-start circuit protects the power transistors and rectifier diodes from high current surges during power supply turn-on. When supply voltage is first applied to the UC1526A, the under-voltage lockout circuit holds RESET LOW with Q3. Q1 is turned on, which holds the soft-start capacitor voltage at zero. The second collector of Q1 clamps the output of the error amplifier to ground, guaranteeing zero duty cycle at the driver outputs. When the supply voltage reaches normal operating range, RESET will go HIGH. Q1 turns off, allowing the internal 100µA current source to charge Cs. Q2 clamps the error amplifier output to  $1V_{BE}$  above the voltage on Cs. As the soft-start voltage ramps up to +5V, the duty cycle of the PWM linearly increases to whatever value the voltage regulation loop requires for an error null.

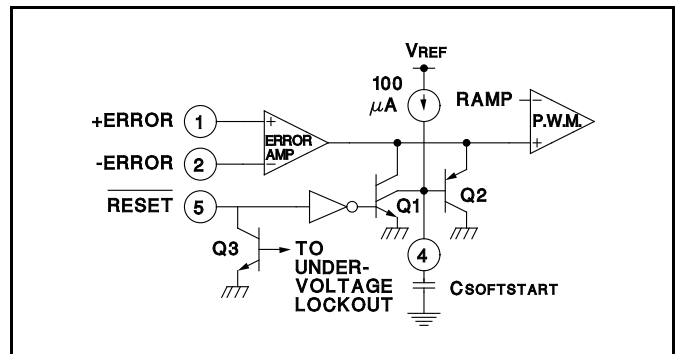


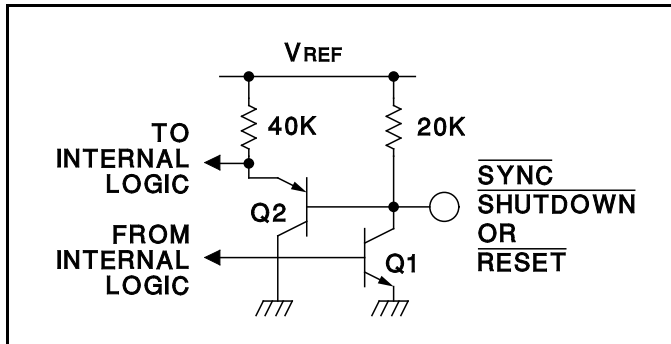
Figure 3. Soft-Start Circuit Schematic

### Digital Control Ports

The three digital control ports of the UC1526A are bi-directional. Each pin can drive TTL and 5V CMOS logic directly, up to a fan-out of 10 low-power Schottky gates. Each pin can also be directly driven by open-collector TTL, open-drain CMOS, and open-collector voltage comparators; fan-in is equivalent to 1 low-power Schottky gate. Each port is normally HIGH; the pin is pulled LOW to activate the particular function. Driving SYNC LOW initiates a discharge cycle in the oscillator. Pulling SHUTDOWN LOW immediately inhibits all PWM output pulses. Holding RESET LOW discharges the soft-start

**APPLICATIONS INFORMATION (cont.)**

capacitor. The logic threshold is +1.1V at +25°C. Noise immunity can be gained at the expense of fan-out with an external 2k pull-up resistor to +5V.



**Figure 4. Digital Control Port Schematic**

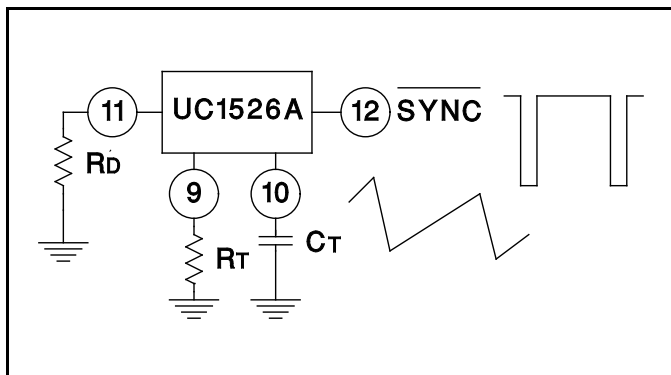
**Oscillators**

The oscillator is programmed for frequency and dead time with three components: RT, CT and RD. Two waveforms are generated: a sawtooth waveform at pin 10 for pulse width modulation, and a logic clock at pin 12. The following procedure is recommended for choosing timing values:

1. With RD= 0Ω (pin 11 shorted to ground) select values for RT and CT from the graph on page 4 to give the desired oscillator period. Remember that the frequency at each driver output is half the oscillator frequency, and the frequency at the +Vc terminal is the same as the oscillator frequency.
2. If more dead time is required, select a larger value of RD. At 40kHz dead time increases by 400ns/Ω.
3. Increasing the dead time will cause the oscillator frequency to decrease slightly. Go back and decrease the value of RT slightly to bring the frequency back to the nominal design value.

The UC1526A can be synchronized to an external logic clock by programming the oscillator to free-run at a frequency 10% slower than the SYNC frequency.

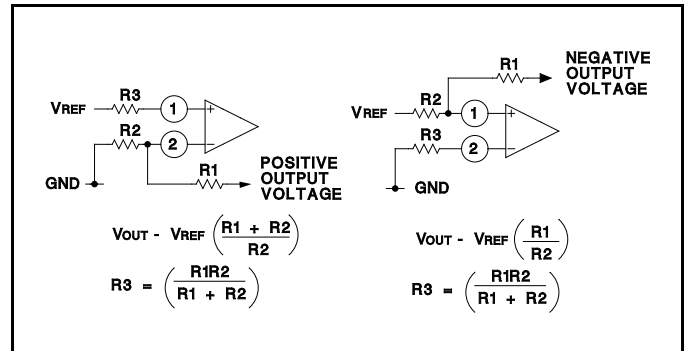
A periodic LOW logic pulse approximately 0.5μs wide at



**Figure 5. Oscillator Connections and Waveforms**

the SYNC pin will then lock the oscillator to the external frequency.

Multiple devices can be synchronized together by programming one master unit for the desired frequency, and then sharing its sawtooth and clock waveforms with the slave units. All CT terminals are connected to the CT pin of the master and all SYNC terminals are likewise connected to the SYNC pin of the master. Slave RT terminals are left open or connected to VREF. Slave RD terminal may be either left open or grounded.

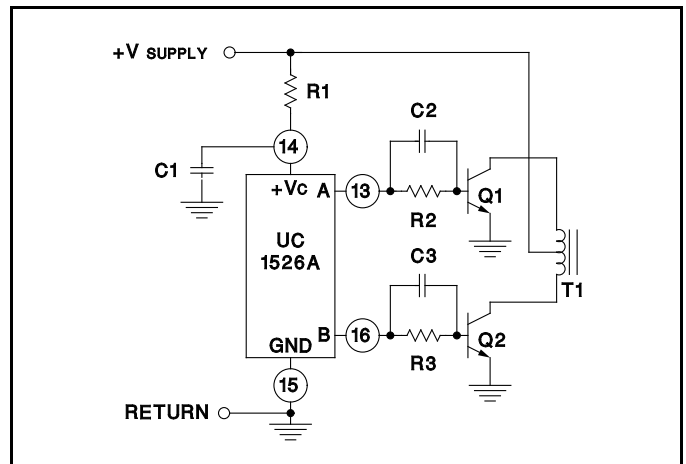


**Figure 6. Error Amplifier Connections**

**Error Amplifier**

The error amplifier is a transconductance design, with an output impedance of 2MΩ. Since all voltage gain takes place at the output pin, the open-loop gain/frequency characteristics can be controlled with shunt reactance to ground. When compensated for unity-gain stability with 100pF, the amplifier has an open-loop pole at 800Hz.

The input connections to the error amplifier are determined by the polarity of the switching supply output voltage. For positive supplies, the common-mode voltage is +5.0V and the feedback connections in Figure 6A are used. With negative supplies, the common-mode voltage is ground and the feedback divider is connected between the negative output and the +5.0V reference voltage, as shown in Figure 6B.



**Figure 7. Push-Pull Configuration**

**APPLICATIONS INFORMATION (cont.)**

**Output Drivers**

The totem pole output drivers of the UC1526A are designed to source and sink 100mA continuously and 200mA peak. Loads can be driven either from the output pins 13 and 16, or from the +Vc, as required.

Since the bottom transistor of the totem-pole is allowed to saturate, there is a momentary conduction path from the

+Vc terminal to ground during switching; however, improved design has limited this cross-conduction period to less than 50ns. Capacitor decoupling at Vc is recommended and careful grounding of Pin 15 is needed to insure that high peak sink currents from a capacitive load do not cause ground transients.

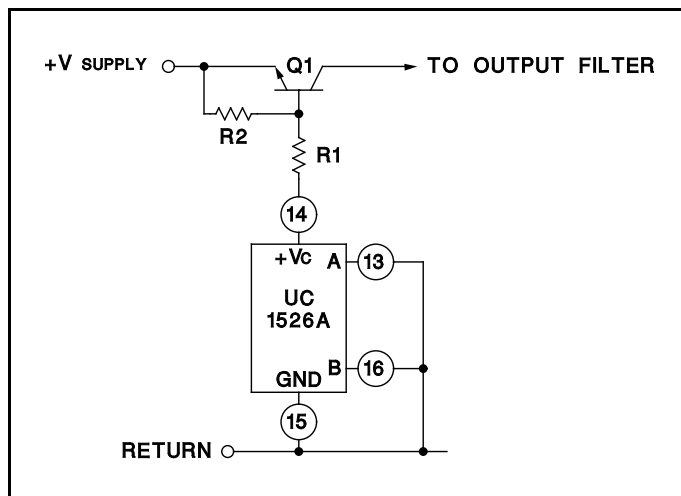


Figure 8. Single-Ended Configuration

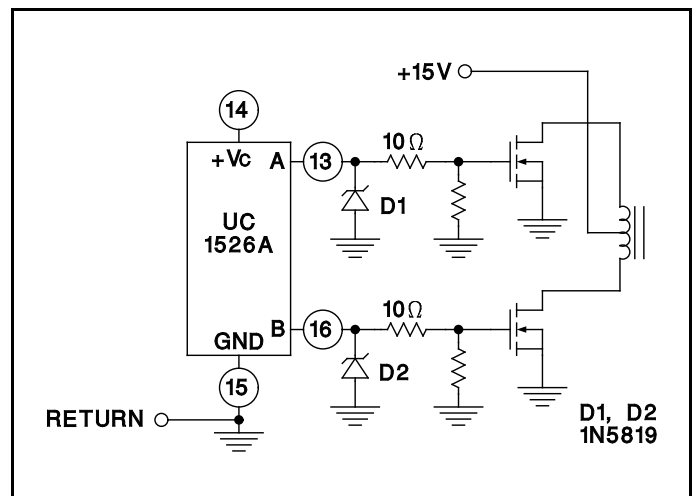
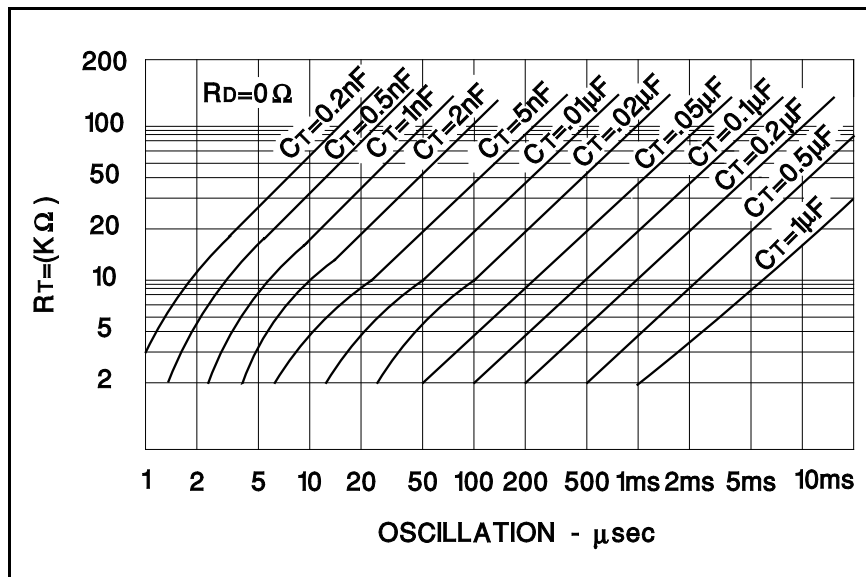


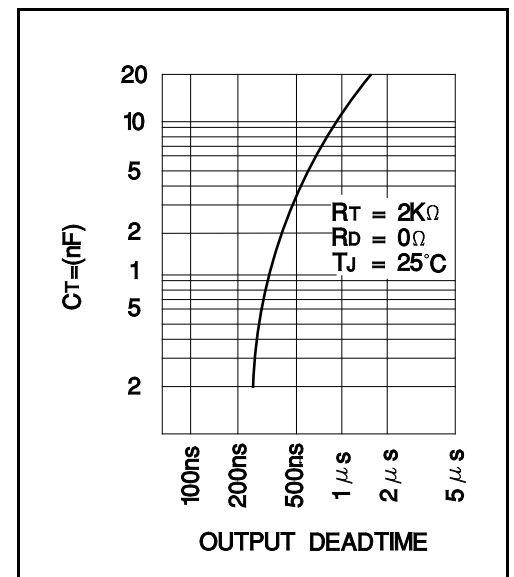
Figure 9. Driving N-Channel Power MOSFETs

**TYPICAL CHARACTERISTICS**

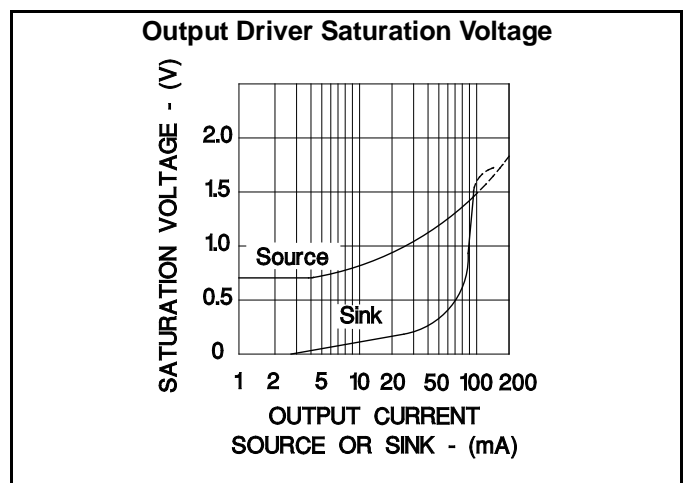
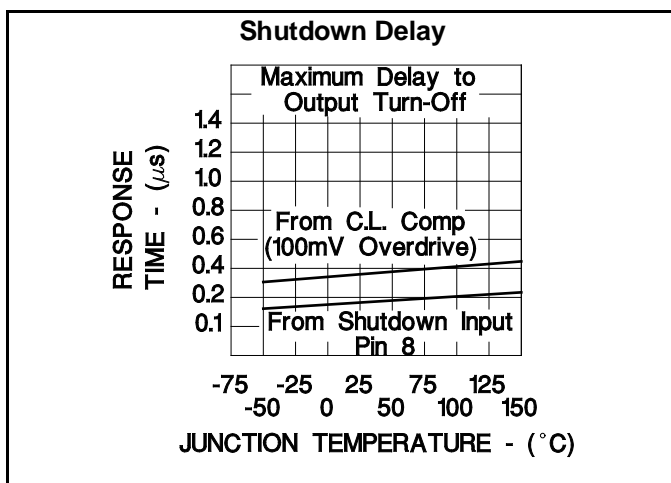
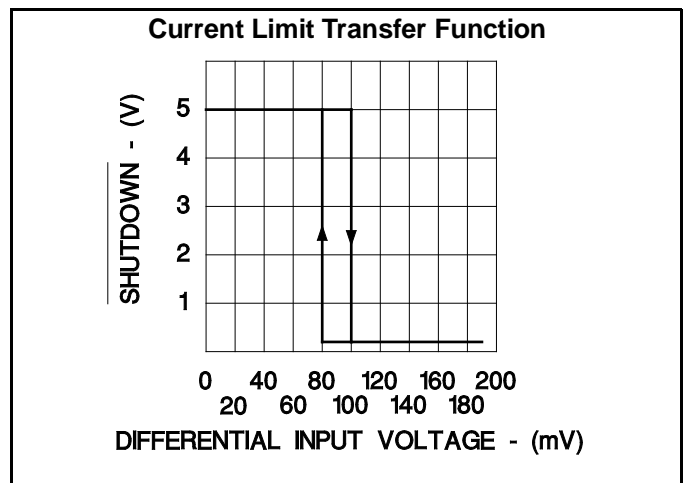
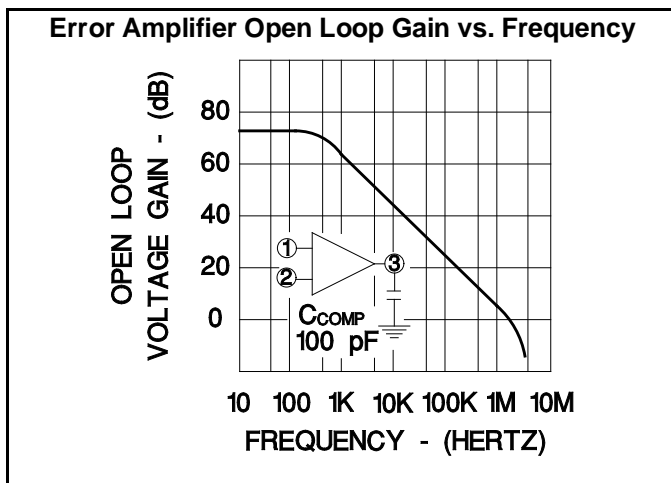
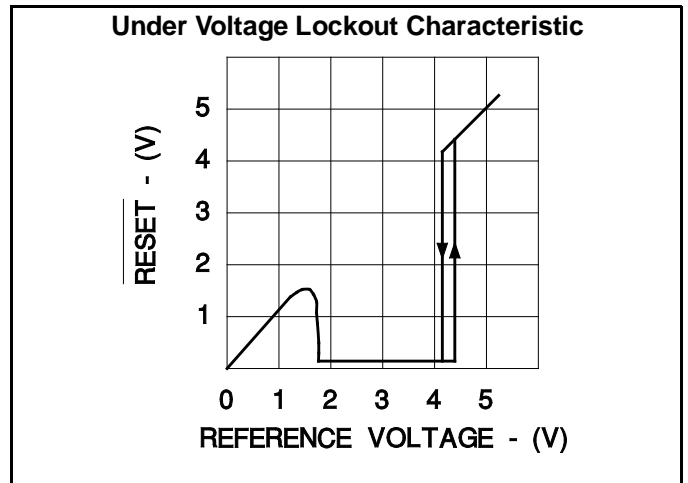
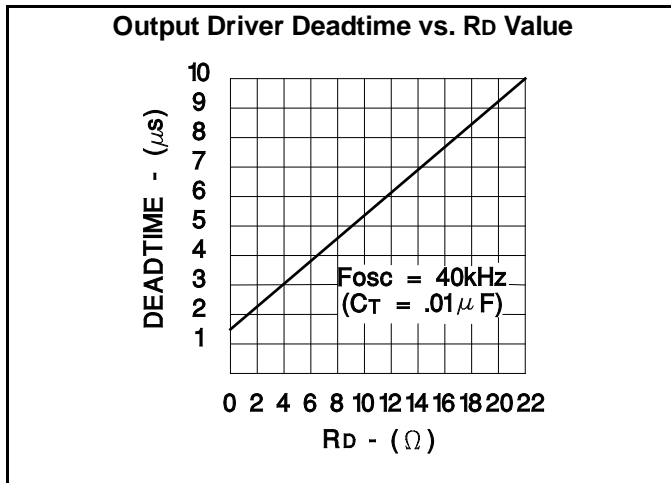
**OSCILLATOR PERIOD vs RT and CT**



**OUTPUT BLANKING**



TYPICAL CHARACTERISTICS (Cont.)





**PACKAGING INFORMATION**

| Orderable Device | Status<br>(1) | Package Type | Package Drawing | Pins | Package Qty | Eco Plan<br>(2)         | Lead finish/<br>Ball material<br>(6) | MSL Peak Temp<br>(3) | Op Temp (°C) | Device Marking<br>(4/5)        | Samples                 |
|------------------|---------------|--------------|-----------------|------|-------------|-------------------------|--------------------------------------|----------------------|--------------|--------------------------------|-------------------------|
| 85515022A        | ACTIVE        | LCCC         | FK              | 20   | 1           | Non-RoHS &<br>Non-Green | POST-PLATE                           | N / A for Pkg Type   | -55 to 125   | 85515022A<br>UC1526AL/<br>883B | <a href="#">Samples</a> |
| 8551502VA        | ACTIVE        | CDIP         | J               | 18   | 1           | Non-RoHS &<br>Non-Green | SNPB                                 | N / A for Pkg Type   | -55 to 125   | 8551502VA<br>UC1526AJ/883B     | <a href="#">Samples</a> |
| UC1526AJ         | ACTIVE        | CDIP         | J               | 18   | 1           | Non-RoHS &<br>Non-Green | SNPB                                 | N / A for Pkg Type   | -55 to 125   | UC1526AJ                       | <a href="#">Samples</a> |
| UC1526AJ883B     | ACTIVE        | CDIP         | J               | 18   | 1           | Non-RoHS &<br>Non-Green | SNPB                                 | N / A for Pkg Type   | -55 to 125   | 8551502VA<br>UC1526AJ/883B     | <a href="#">Samples</a> |
| UC1526AL         | ACTIVE        | LCCC         | FK              | 20   | 1           | Non-RoHS &<br>Non-Green | POST-PLATE                           | N / A for Pkg Type   | -55 to 125   | UC1526AL                       | <a href="#">Samples</a> |
| UC1526AL883B     | ACTIVE        | LCCC         | FK              | 20   | 1           | Non-RoHS &<br>Non-Green | POST-PLATE                           | N / A for Pkg Type   | -55 to 125   | 85515022A<br>UC1526AL/<br>883B | <a href="#">Samples</a> |
| UC2526ADW        | ACTIVE        | SOIC         | DW              | 18   | 40          | RoHS & Green            | NIPDAU                               | Level-2-260C-1 YEAR  | -25 to 85    | UC2526ADW                      | <a href="#">Samples</a> |
| UC2526ADWG4      | ACTIVE        | SOIC         | DW              | 18   | 40          | RoHS & Green            | NIPDAU                               | Level-2-260C-1 YEAR  | -25 to 85    | UC2526ADW                      | <a href="#">Samples</a> |
| UC2526ADWTR      | ACTIVE        | SOIC         | DW              | 18   | 2000        | RoHS & Green            | NIPDAU                               | Level-2-260C-1 YEAR  | -25 to 85    | UC2526ADW                      | <a href="#">Samples</a> |
| UC2526AN         | ACTIVE        | PDIP         | N               | 18   | 20          | RoHS & Green            | NIPDAU                               | N / A for Pkg Type   | -25 to 85    | UC2526AN                       | <a href="#">Samples</a> |
| UC2526ANG4       | ACTIVE        | PDIP         | N               | 18   | 20          | RoHS & Green            | NIPDAU                               | N / A for Pkg Type   | -25 to 85    | UC2526AN                       | <a href="#">Samples</a> |
| UC3526ADW        | ACTIVE        | SOIC         | DW              | 18   | 40          | RoHS & Green            | NIPDAU                               | Level-2-260C-1 YEAR  | 0 to 70      | UC3526ADW                      | <a href="#">Samples</a> |
| UC3526ADWG4      | ACTIVE        | SOIC         | DW              | 18   | 40          | RoHS & Green            | NIPDAU                               | Level-2-260C-1 YEAR  | 0 to 70      | UC3526ADW                      | <a href="#">Samples</a> |
| UC3526ADWTR      | ACTIVE        | SOIC         | DW              | 18   | 2000        | RoHS & Green            | NIPDAU                               | Level-2-260C-1 YEAR  | 0 to 70      | UC3526ADW                      | <a href="#">Samples</a> |
| UC3526ADWTRG4    | ACTIVE        | SOIC         | DW              | 18   | 2000        | RoHS & Green            | NIPDAU                               | Level-2-260C-1 YEAR  | 0 to 70      | UC3526ADW                      | <a href="#">Samples</a> |
| UC3526AN         | ACTIVE        | PDIP         | N               | 18   | 20          | RoHS & Green            | NIPDAU                               | N / A for Pkg Type   | 0 to 70      | UC3526AN                       | <a href="#">Samples</a> |
| UC3526J          | ACTIVE        | CDIP         | J               | 18   | 1           | Non-RoHS &<br>Non-Green | SNPB                                 | N / A for Pkg Type   | 0 to 70      | UC3526J                        | <a href="#">Samples</a> |

(1) The marketing status values are defined as follows:

**ACTIVE:** Product device recommended for new designs.

**LIFEBUY:** TI has announced that the device will be discontinued, and a lifetime-buy period is in effect.

**NRND:** Not recommended for new designs. Device is in production to support existing customers, but TI does not recommend using this part in a new design.

**PREVIEW:** Device has been announced but is not in production. Samples may or may not be available.

**OBSOLETE:** TI has discontinued the production of the device.

(2) **RoHS:** TI defines "RoHS" to mean semiconductor products that are compliant with the current EU RoHS requirements for all 10 RoHS substances, including the requirement that RoHS substance do not exceed 0.1% by weight in homogeneous materials. Where designed to be soldered at high temperatures, "RoHS" products are suitable for use in specified lead-free processes. TI may reference these types of products as "Pb-Free".

**RoHS Exempt:** TI defines "RoHS Exempt" to mean products that contain lead but are compliant with EU RoHS pursuant to a specific EU RoHS exemption.

**Green:** TI defines "Green" to mean the content of Chlorine (Cl) and Bromine (Br) based flame retardants meet JS709B low halogen requirements of  $\leq 1000$ ppm threshold. Antimony trioxide based flame retardants must also meet the  $\leq 1000$ ppm threshold requirement.

(3) MSL, Peak Temp. - The Moisture Sensitivity Level rating according to the JEDEC industry standard classifications, and peak solder temperature.

(4) There may be additional marking, which relates to the logo, the lot trace code information, or the environmental category on the device.

(5) Multiple Device Markings will be inside parentheses. Only one Device Marking contained in parentheses and separated by a "~" will appear on a device. If a line is indented then it is a continuation of the previous line and the two combined represent the entire Device Marking for that device.

(6) Lead finish/Ball material - Orderable Devices may have multiple material finish options. Finish options are separated by a vertical ruled line. Lead finish/Ball material values may wrap to two lines if the finish value exceeds the maximum column width.

**Important Information and Disclaimer:** The information provided on this page represents TI's knowledge and belief as of the date that it is provided. TI bases its knowledge and belief on information provided by third parties, and makes no representation or warranty as to the accuracy of such information. Efforts are underway to better integrate information from third parties. TI has taken and continues to take reasonable steps to provide representative and accurate information but may not have conducted destructive testing or chemical analysis on incoming materials and chemicals. TI and TI suppliers consider certain information to be proprietary, and thus CAS numbers and other limited information may not be available for release.

In no event shall TI's liability arising out of such information exceed the total purchase price of the TI part(s) at issue in this document sold by TI to Customer on an annual basis.

**OTHER QUALIFIED VERSIONS OF UC1526A, UC2526A, UC3526A, UC3526M :**

● Catalog: [UC3526A](#), [UC3526AM](#), [UC3526](#)

● Military: [UC2526AM](#), [UC1526A](#), [UC1526](#)

NOTE: Qualified Version Definitions:

- Catalog - TI's standard catalog product
- Military - QML certified for Military and Defense Applications

## IMPORTANT NOTICE AND DISCLAIMER

TI PROVIDES TECHNICAL AND RELIABILITY DATA (INCLUDING DATASHEETS), DESIGN RESOURCES (INCLUDING REFERENCE DESIGNS), APPLICATION OR OTHER DESIGN ADVICE, WEB TOOLS, SAFETY INFORMATION, AND OTHER RESOURCES "AS IS" AND WITH ALL FAULTS, AND DISCLAIMS ALL WARRANTIES, EXPRESS AND IMPLIED, INCLUDING WITHOUT LIMITATION ANY IMPLIED WARRANTIES OF MERCHANTABILITY, FITNESS FOR A PARTICULAR PURPOSE OR NON-INFRINGEMENT OF THIRD PARTY INTELLECTUAL PROPERTY RIGHTS.

These resources are intended for skilled developers designing with TI products. You are solely responsible for (1) selecting the appropriate TI products for your application, (2) designing, validating and testing your application, and (3) ensuring your application meets applicable standards, and any other safety, security, or other requirements. These resources are subject to change without notice. TI grants you permission to use these resources only for development of an application that uses the TI products described in the resource. Other reproduction and display of these resources is prohibited. No license is granted to any other TI intellectual property right or to any third party intellectual property right. TI disclaims responsibility for, and you will fully indemnify TI and its representatives against, any claims, damages, costs, losses, and liabilities arising out of your use of these resources.

TI's products are provided subject to TI's Terms of Sale ([www.ti.com/legal/termsofsale.html](http://www.ti.com/legal/termsofsale.html)) or other applicable terms available either on [ti.com](http://ti.com) or provided in conjunction with such TI products. TI's provision of these resources does not expand or otherwise alter TI's applicable warranties or warranty disclaimers for TI products.

Mailing Address: Texas Instruments, Post Office Box 655303, Dallas, Texas 75265  
Copyright © 2020, Texas Instruments Incorporated