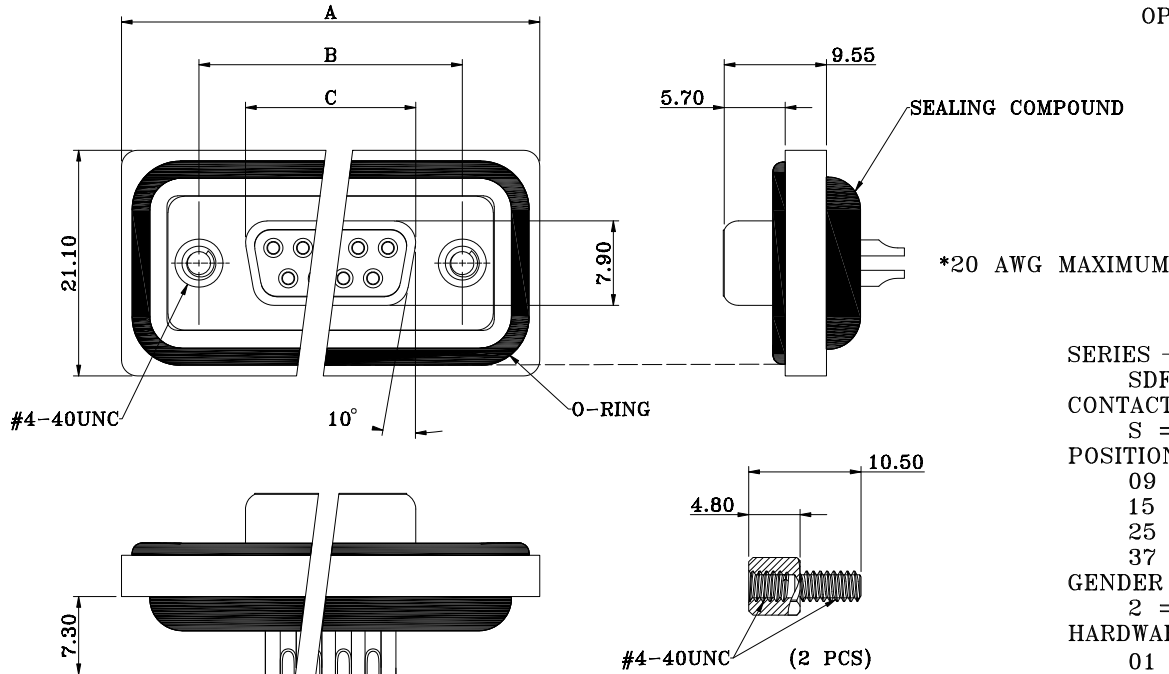


| DIMENSIONS(mm) | | | |
|----------------|-------|-------|-------|
| SIZE | A | B | C |
| 9 | 39.50 | 25.00 | 16.30 |
| 15 | 48.00 | 33.30 | 24.60 |
| 25 | 61.50 | 47.05 | 38.40 |
| 37 | 77.80 | 63.50 | 54.80 |



NOTE:

MATERIAL

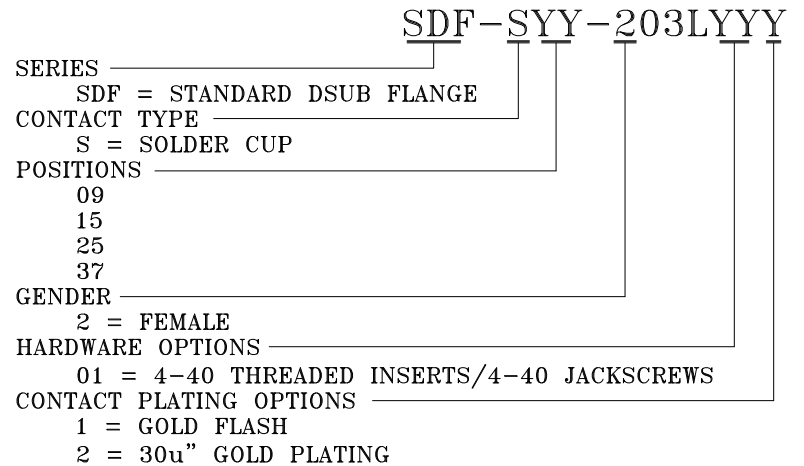
| | |
|------------------|------------------------------|
| HOUSING | PBT UL94V-0, BLACK |
| FLANGE | PBT UL94V-0, BLACK |
| CONTACT | BRASS, PLATING P/N KEY BELOW |
| SHELL | STEEL, NICKEL |
| O-RING | SILICONE |
| SEALING COMPOUND | EPOXY |
| HARDWARE | BRASS; NICKEL PLATED |

ELECTRICAL

| | |
|----------------------|----------------|
| RATED CURRENT | 5A |
| VOLTAGE | 1000 VAC 1 MIN |
| INSULATOR RESISTANCE | 5 GOhms MIN. |
| CONTACT RESISTANCE | 10 mOhms MAX. |
| WATER PROOF | IP67 |

ENVIRONMENT

| | |
|-----------------------|----------------|
| OPERATION TEMPERATURE | -25°C TO +85°C |
|-----------------------|----------------|



RoHS COMPLIANT



THESE DRAWINGS AND SPECIFICATIONS ARE THE PROPERTY OF NorComp AND SHALL NOT BE REPRODUCED, COPIED OR USED AS THE BASIS FOR THE MANUFACTURE OR SALE OF APPARATUS WITHOUT WRITTEN PERMISSION.

DRAWN: J. KADEL
DATE: 03/02/2020

TOLERANCES
X. ±0.40
.X ±0.30
.XX ±0.20
.XXX ±0.10

UNITS = mm

DO NOT SCALE FROM DRAWING

NorComp

| | | |
|-------------------------|--------------|-------|
| SCALE: NTS | SHEET 1 OF 1 | REV 1 |
| DWG NO. SDF-SYY-203LYYY | | |

Mouser Electronics

Authorized Distributor

Click to View Pricing, Inventory, Delivery & Lifecycle Information:

[NorComp:](#)

[SDF-S37-203L011](#) [SDF-S09-203L011](#) [SDF-S37-203L012](#) [SDF-S15-203L011](#) [SDF-S09-203L012](#) [SDF-S15-203L012](#) [SDF-S25-203L011](#) [SDF-S25-203L012](#)