

*ø0.65 AT CONTACT PCB TERMINATION LOCATION

DIMENSIONS(mm)			
SIZE	A	B	C
9	39.50	25.00	16.90
15	48.00	33.30	25.25
25	61.50	47.05	38.95
37	77.80	63.50	55.40

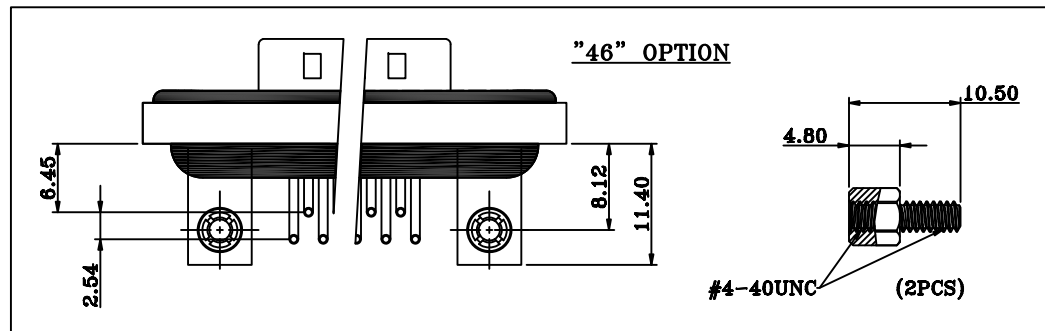
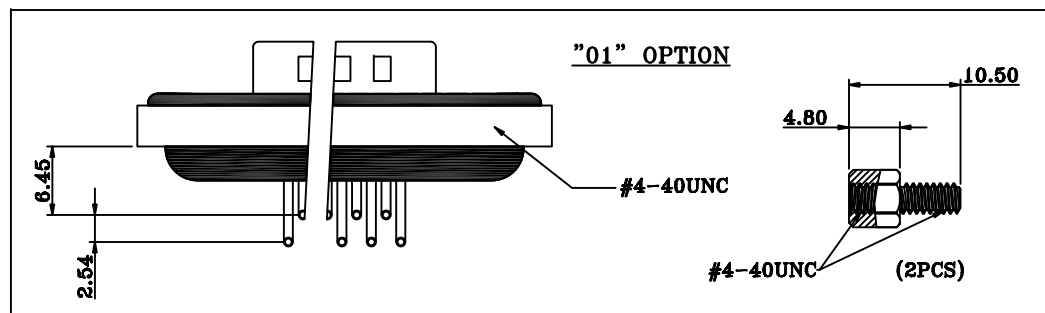
NOTE:

MATERIAL

- HOUSING
- FLANGE
- CONTACT
- SHELL
- O-RING
- SEALING COMPOUND
- HARDWARE

- PBT UL94V-0, BLACK
- PBT UL94V-0, BLACK
- BRASS, PLATING P/N KEY BELOW
- STEEL, NICKEL
- SILICONE
- EPOXY
- BRASS; NICKEL PLATED

HARDWARE OPTIONS



ELECTRICAL

- RATED CURRENT 5A
- VOLTAGE 1000 VAC 1 MIN
- INSULATOR RESISTANCE 5 GOhms MIN.
- CONTACT RESISTANCE 10 mOhms MAX.
- WATER PROOF IP67

ENVIRONMENT

- OPERATION TEMPERATURE -25°C TO +85°C

SDF-RYY-113LYYY

SERIES

SDF = STANDARD DSUB FLANGE

CONTACT TYPE

R = RIGHT ANGLE PCB MOUNT

POSITIONS

- 09
- 15
- 25
- 37

GENDER

1 = MALE

HARDWARE OPTIONS

- 01 = 4-40 THREADED INSERTS/4-40 JACKSCREWS
- 46 = 4-40 THREADED BRACKETS & BOARD LOCKS/4-40 JACKSCREWS

CONTACT PLATING OPTIONS

- 1 = GOLD FLASH
- 2 = 30u" GOLD PLATING

RoHS COMPLIANT



THESE DRAWINGS AND SPECIFICATIONS ARE THE PROPERTY OF NorComp AND SHALL NOT BE REPRODUCED, COPIED OR USED AS THE BASIS FOR THE MANUFACTURE OR SALE OF APPARATUS WITHOUT WRITTEN PERMISSION.

DRAWN:

J. KADEL

DATE:

03/02/2020

TOLERANCES

- X. ±0.40
- .X ±0.30
- .XX ±0.20
- .XXX ±0.10

UNITS = mm

DO NOT SCALE FROM DRAWING

NorComp

SCALE: NTS

SHEET 1 OF 2

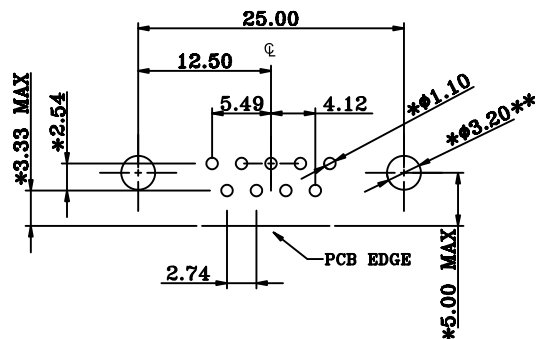
REV 0

DWG NO.

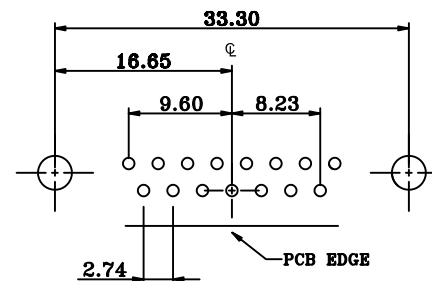
SDF-RYY-113LYYY

**** ϕ 3.20MM HOLES NOT NEEDED FOR "01" HARDWARE OPTION**

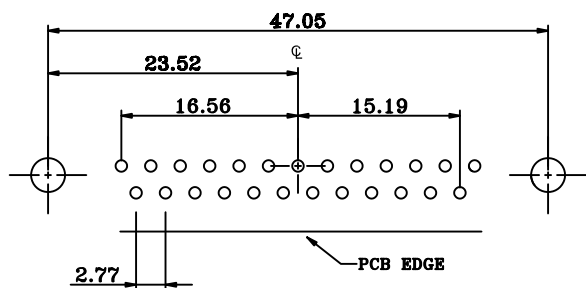
09 POSITION



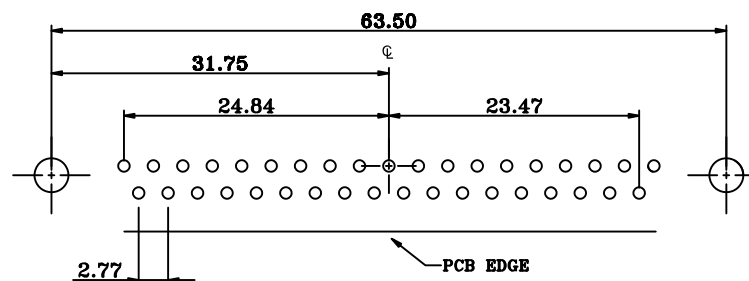
15 POSITION



25 POSITION



37 POSITION



RECOMMENDED PCB LAYOUT

***TYPICAL // HOLE SIZE MAY NOT BE SUITABLE FOR YOUR SPECIFIC APPLICATION**

RoHS COMPLIANT



THESE DRAWINGS AND SPECIFICATIONS ARE THE PROPERTY OF NorComp AND SHALL NOT BE REPRODUCED, COPIED OR USED AS THE BASIS FOR THE MANUFACTURE OR SALE OF APPARATUS WITHOUT WRITTEN PERMISSION.

DRAWN:
J. KADEL
DATE:
03/02/2020

TOLERANCES
X. ± 0.40
.X ± 0.30
.XX ± 0.20
.XXX ± 0.10

UNITS = mm

DO NOT SCALE FROM DRAWING

NorComp

SCALE: NTS	SHEET 2	OF 2	REV 0
DWG NO.		SDF-RYY-113LYYY	

Mouser Electronics

Authorized Distributor

Click to View Pricing, Inventory, Delivery & Lifecycle Information:

NorComp:

[SDF-R25-113L011](#) [SDF-R25-113L012](#) [SDF-R37-113L012](#) [SDF-R15-113L462](#) [SDF-R09-113L011](#) [SDF-R09-113L012](#) [SDF-R25-113L461](#) [SDF-R25-113L462](#) [SDF-R09-113L462](#) [SDF-R09-113L461](#) [SDF-R37-113L011](#) [SDF-R37-113L461](#) [SDF-R15-113L011](#) [SDF-R15-113L012](#) [SDF-R15-113L461](#) [SDF-R37-113L462](#)