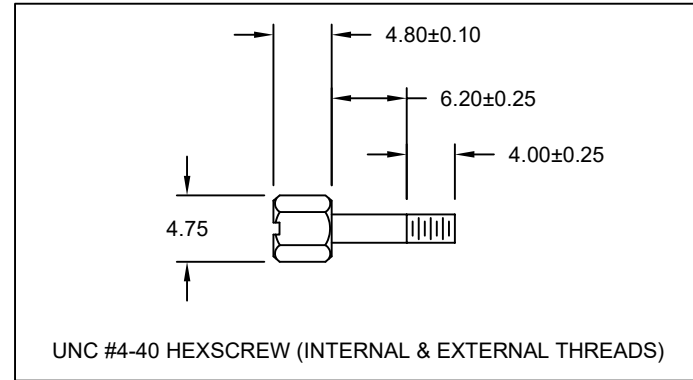
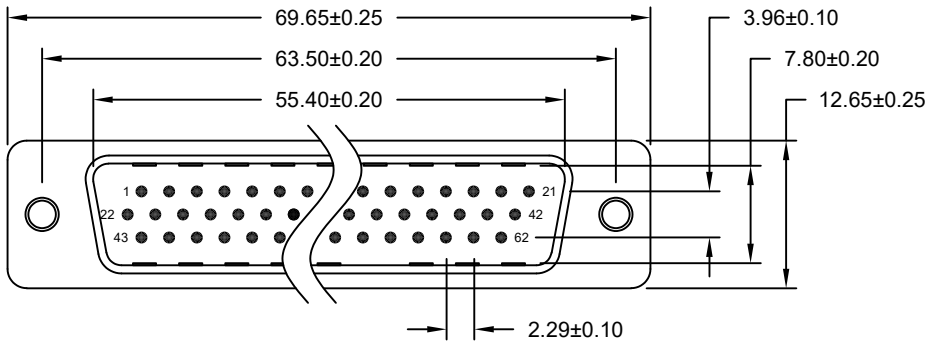
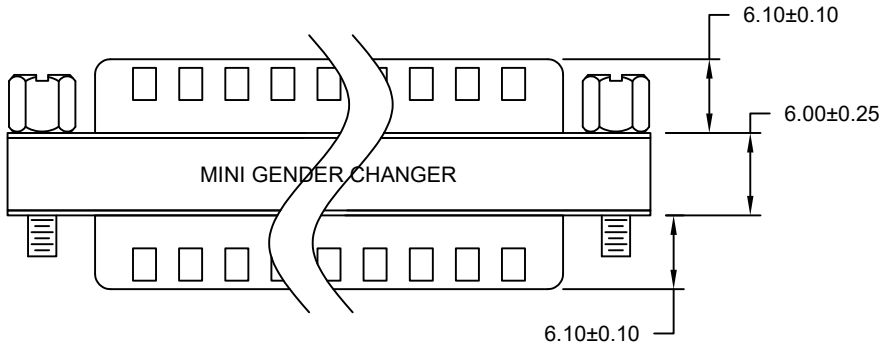
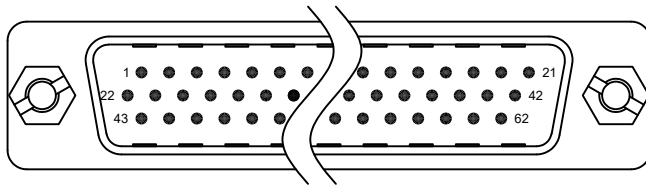


SPECIFICATION:

INSULATOR: PBT, UL 94 V-0
 CONTACT: GOLD PLATED BRASS
 SHELL: TIN PLATED STEEL
 CURRENT RATING: 3 AMP
 DIELECTRIC STRENGTH: 1,000VAC FOR 1 MINUTE
 INSULATION RESISTANCE: 1,000 MOHMS MIN @500 VDC
 TEMPERATURE: -55° C - +105° C

NOTE:

LABEL: YELLOW COLOR WITH BLACK CHARACTERS
 SIDE 1: MINI GENDER CHANGER
 SIDE 2: U.S.A. PATENT 5199906



62-PIN MALE	62-PIN MALE
1	1
2	2
3	3
~	
61	61
62	62
SHELL	SHELL

PIN OUT

RoHS COMPLIANT

UNITS = mm

DO NOT SCALE FROM DRAWING



THESE DRAWINGS AND SPECIFICATIONS ARE THE PROPERTY OF NorComp AND SHALL NOT BE REPRODUCED, COPIED OR USED AS THE BASIS FOR THE MANUFACTURE OR SALE OF APPARATUS WITHOUT WRITTEN PERMISSION.

DRAWN:
P. JENKINS

DATE:
10/15/2007

NorComp

SCALE:
NTS

SHEET 1 OF 1

REV 3

DWG NO.

GCHDLP62M62M

Mouser Electronics

Authorized Distributor

Click to View Pricing, Inventory, Delivery & Lifecycle Information:

[NorComp:](#)

[GCHDLP62M62M](#)