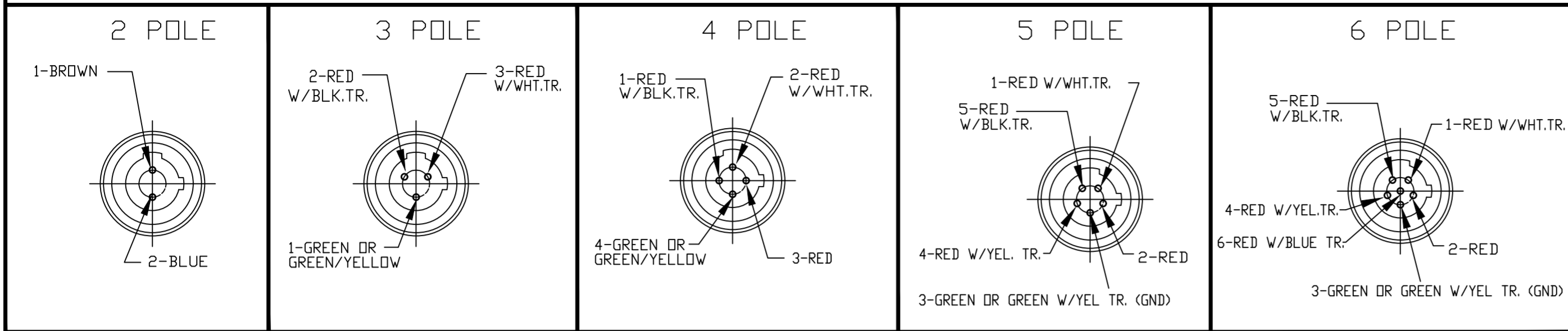


FRONT VIEW — FEMALE INSERT WIRING COLOR CODE



CABLE LENGTH TOLERANCES

>.3M [1FT]:	+19mm-0 [+0.75in-0]
.3 - .9M [1 - 3FT]:	+44.5mm-0 [+1.75in-0]
.9 - 1.8M [3 - 6FT]:	+55.6mm-0 [+2.19in-0]
1.8 - 3.7M [6 - 12FT]:	+88.9mm-0 [+3.50in-0]
3.7 - 7.3M [12 - 24FT]:	+165.1mm-0 [+6.50in-0]
7.3-14.6M [24 - 48FT]:	+317.5mm-0 [+12.50in-0]
14.6 - 30.5M [48-100FT]:	+622.3mm-0 [+24.50in-0]
OVER 30M [100FT]	+2% OF FINISHED LENGTH

PART NUMBER LEGEND

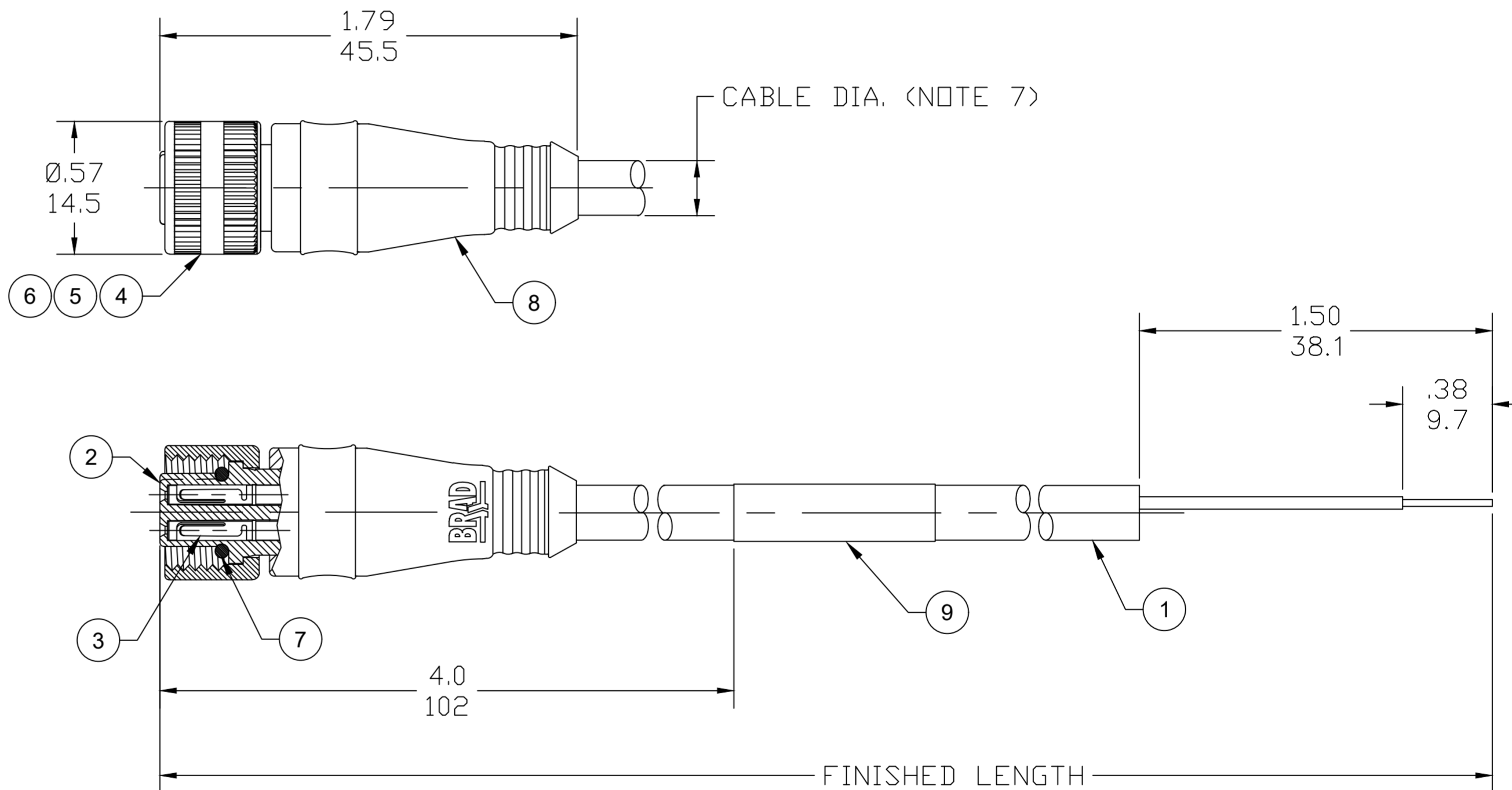
702000D02F0601

CABLE TYPE
22AWG SHLD, PVC

COUPLING NUT OPTIONS
BLANK= DIE CAST ZINC
1= 303 STAINLESS STEEL
2= NON METALLIC
8= 316 ST. STEEL

FINISHED LENGTH:
F010= 1 FOOT
F100= 10FEET

M005= 0.5 METER
M010= 1 METER
M100= 10 METER



- NOTES:**
1. MATERIAL: AS NOTED
 2. FINISH: AS NOTED
 3. ELECTRICAL:
VOLTAGE: 250 VOLTS AC/DC
CURRENT: 4A
 4. TEMP RATING: -20°TO +105°C
 5. PROTECTION: IP67 (WHEN MATED)
 6. COUPLING THREAD: 1/2-20 UNF
 7. CABLE DIA: MIN .20 FOR 2 CIR, MAX .25 FOR 6 CIR
 8. ALL DIMS ARE FOR REFERENCE UNLESS NOTED OTHERWISE

PRE-RELEASE
REFERENCE
USE ONLY

PART NO.	ENGINEERING NO.	FINISHED LENGTH
1200720058	702000D02F020	2 FEET
1200720062	702000D02F0601	6 FEET
1200720574	706000D02F1202	12 FEET

ITEM	DESCRIPTION	MATERIAL	FINISH
9	WRAP LABEL	VINYL	BLACK/YELLOW
8	OVERMOLD	TPC	YELLOW
7	O-RING	NITRILE	RED
6	COUPLING NUT, FEMALE THD (-2 OPT)	DELRI	WHITE
5	COUPLING NUT, FEMALE THD (-1 & -8 OPT)	ST. STEEL	PASSIVATED
4	COUPLING NUT, FEMALE THD (STD OPT)	ZINC DIE-CAST	BLACK
3	CONTACT SOCKET	COPPER ALLOY	GOLD PLATED
2	FEMALE INSERT	NYLON	BLACK
1	CABLE, 22 AWG, SHIELDED	PVC JACKET	YELLOW

THIS DRAWING CONTAINS INFORMATION THAT IS PROPRIETARY TO MOLEX ELECTRONIC TECHNOLOGIES, LLC AND SHOULD NOT BE USED WITHOUT WRITTEN PERMISSION

FUNCTIONAL DIMENSION UNITS: INCH/MM, SCALE: NTS

GENERAL TOLERANCES (UNLESS SPECIFIED):
 4 PLACES ±.005 ±.005
 3 PLACES ±.005 ±.005
 2 PLACES ±.005 ±.005
 1 PLACE ±.005 ±.005
 0 PLACES ±.005 ±.005

ANGULAR TOL ±.005 °

DRAFT WHERE APPLICABLE MUST REMAIN WITHIN DIMENSIONS

THIRD ANGLE PROJECTION

DRAWING: C-SIZE, SERIES: 120072

EC NO: ---
 DRWN: CCHRASTKA 2020/07/23
 CHK'D: ALEON01 2020/07/24
 APPR: ---

INITIAL REVISION:
 DRWN: RSTONE 2017/07/14
 APPR: BWOODMAN 2017/07/21

PRODUCT CUSTOMER DRAWING

DOCUMENT NUMBER: SD-120072-022, DOC TYPE/DOC PART: PSD 001, REVISION: B

MATERIAL NUMBER: SEE TABLE, CUSTOMER: GENERAL MARKET, SHEET NUMBER: 1 OF 1

Mouser Electronics

Authorized Distributor

Click to View Pricing, Inventory, Delivery & Lifecycle Information:

Molex:

<u>1200720362</u>	<u>1200720479</u>	<u>1200720069</u>	<u>1200720574</u>	<u>1200720583</u>	<u>1200720188</u>	<u>1200720584</u>	<u>1200720585</u>
<u>1200720586</u>	<u>1200720587</u>	<u>1200720590</u>	<u>1200720593</u>	<u>1200720573</u>	<u>1200720575</u>	<u>1200720576</u>	<u>1200720577</u>
<u>1200720580</u>	<u>1200720581</u>	<u>1200720483</u>	<u>1200720484</u>	<u>1200720485</u>	<u>1200720488</u>	<u>1200720570</u>	<u>1200720571</u>
<u>1200720475</u>	<u>1200720476</u>	<u>1200720478</u>	<u>1200720480</u>	<u>1200720481</u>	<u>1200720482</u>	<u>1200720370</u>	<u>1200720376</u>
<u>1200720377</u>	<u>1200720378</u>	<u>1200720470</u>	<u>1200720472</u>	<u>1200720193</u>	<u>1200720201</u>	<u>1200720361</u>	<u>1200720366</u>
<u>1200720368</u>	<u>1200720369</u>	<u>1200720183</u>	<u>1200720186</u>	<u>1200720187</u>	<u>1200720190</u>	<u>1200720191</u>	<u>1200720192</u>
<u>1200720072</u>	<u>1200720074</u>	<u>1200720167</u>	<u>1200720168</u>	<u>1200720180</u>	<u>1200720182</u>	<u>1200720064</u>	<u>1200720065</u>
<u>1200720066</u>	<u>1200720067</u>	<u>1200720068</u>	<u>1200720071</u>	<u>1200720056</u>	<u>1200720058</u>	<u>1200720059</u>	<u>1200720062</u>