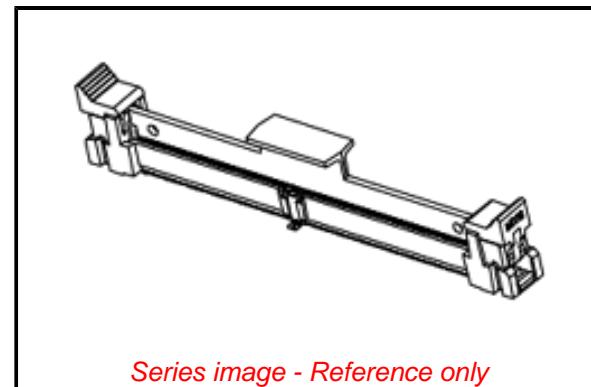


PLEASE CHECK WWW.MOLEX.COM FOR LATEST PART INFORMATION

Part Number: [0877823007](#)
Status: **Active**
Overview: MiniDIMM Sockets
Description: 0.60mm Pitch miniDIMM DDR3 Socket, Vertical, Surface Mount, 0.76µm Gold (Au) over Nickel, 1.5V, with Pick and Place Cover, 244 Circuits, Natural (Off White) Latch, Type C Tray, Lead-Free

Documents:

| | |
|--|--|
| 3D Model | Application Specification AS-87782-001-001 (PDF) |
| Drawing (PDF) | Packaging Specification PK-87782-006-001 (PDF) |
| Product Specification PS-87782-027-001 (PDF) | RoHS Certificate of Compliance (PDF) |



Agency Certification

| | |
|-----|---------|
| CSA | LR19980 |
| UL | E29179 |

General

| | |
|----------------|----------------------------------|
| Product Family | Memory Module Sockets |
| Series | 87782 |
| Comments | With Cap |
| Component Type | Socket |
| JEDEC Outline | MO-244 |
| Overview | MiniDIMM Sockets |
| Product Name | MiniDIMM |
| UPC | 883906426231 |

Physical

| | |
|--------------------------------|--------------------------------|
| Circuits (Loaded) | 244 |
| Circuits (maximum) | 244 |
| Durability (mating cycles max) | 25 |
| Entry Angle | Vertical (Top Entry) |
| Flammability | 94V-0 |
| Housing Color | Black |
| Keying to Mating Part | Yes |
| Latch Color | Natural (Off-White) |
| Material - Metal | Copper Alloy |
| Material - Plating Mating | Gold |
| Material - Plating Termination | Tin |
| Material - Resin | High Temperature Thermoplastic |
| Net Weight | 6.130/g |
| PCB Locator | Yes |
| PCB Retention | Yes |
| Packaging Type | Tray |
| Pitch - Mating Interface | 0.60mm |
| Pitch - Termination Interface | 0.60mm |
| Plating min - Mating | 0.762µm |
| Plating min - Termination | 2.540µm |
| Temperature Range - Operating | -55° to +85°C |
| Termination Interface: Style | Surface Mount |

Electrical

| | |
|-------------------------------|-----------|
| Current - Maximum per Contact | 1.0A |
| Voltage - Maximum | 30V (RMS) |
| Voltage Key | 1.5V |

Solder Process Data

| | |
|--|----------|
| Duration at Max. Process Temperature (seconds) | 005 |
| Lead-free Process Capability | SMC&WAVE |

EU ELV

Not Relevant

EU RoHS

Compliant

REACH SVHC

Not Contained Per -
D(2021)4569-DC (8
July 2021)

Halogen-Free

Status

Not Low-Halogen

For more information, please visit [Contact US](#)

China ROHS

ELV

RoHS Phthalates

China RoHS

Green Image

Not Relevant

Not Contained

Search Parts in this Series

[87782 Series](#)

Mates With

JEDEC MO-244 Modules

| | |
|---|-----|
| Max. Cycles at Max. Process Temperature | 002 |
| Process Temperature max. C | 260 |

Material Info

Reference - Drawing Numbers

| | |
|---------------------------|---|
| Application Specification | AS-87782-001-001 |
| Electrical Model Document | EE-87782-001-001, EE-87782-002-001, EE-87782-003-001, EE-87782-007-001 |
| Packaging Specification | PK-87782-006-001 |
| Product Specification | PS-87782-027-001 |
| S-Parameter Model | SP-87782-001-001, SP-87782-007-001 |
| Sales Drawing | SD-87782-001-001 |

This document was generated on 01/03/2022

PLEASE CHECK WWW.MOLEX.COM FOR LATEST PART INFORMATION

Mouser Electronics

Authorized Distributor

Click to View Pricing, Inventory, Delivery & Lifecycle Information:

[Molex:](#)

[87782-3007](#)