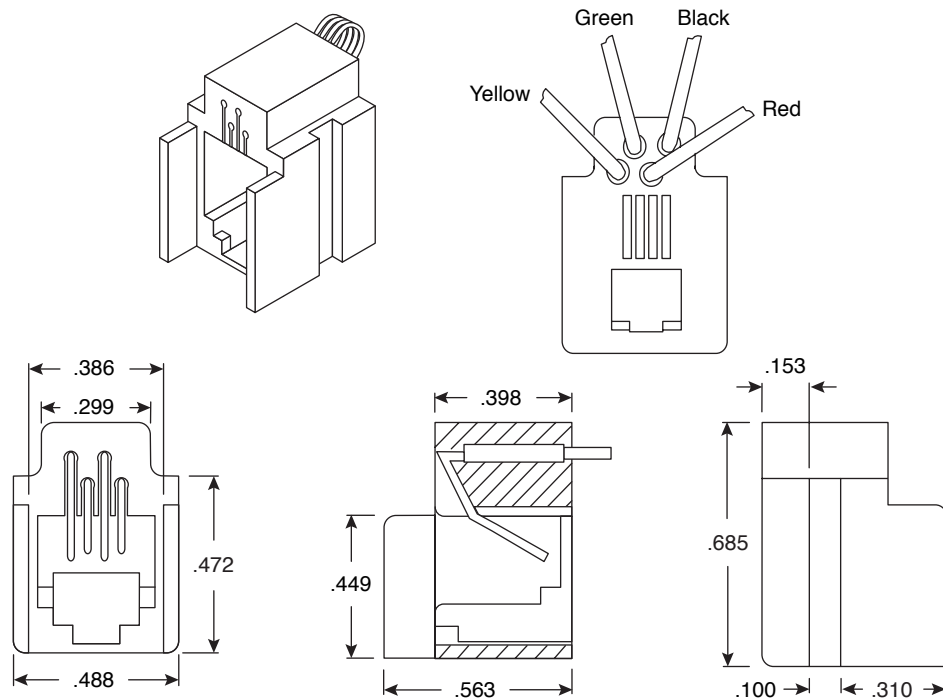


# Modular Jack

154-7616M



Modular Jack



Dimensions: In.

SPECIFICATIONS	
Type:	USOC Modular Handset, 4P/4C Phone with Leads
Current Rating:	1.5A max.
Voltage Rating:	150VAC max.
Dielectric Strength:	1000VAC @ 60Hz for 1 Minute
Contact Resistance:	20mΩ max.
Insulation Resistance:	500MΩ min.
Working Temperature:	-40°C ~ +80°C
Insertion Force:	500g
Retention Strength:	7.7Kg
Life:	500 Cycles
Contacts:	6μ Gold Plated Phosphor Bronze
Leads:	4" with .197" Tinned, 28AWG
Housing:	Glass Filled Polyester
Color:	Gray
Western Electric Type:	616M

Date Last Revised: 10-15-05

Available from Mouser Electronics  
1-800-346-6873  
www.mouser.com

KC-300605

154-7616M

# Mouser Electronics

Authorized Distributor

Click to View Pricing, Inventory, Delivery & Lifecycle Information:

[Kobiconn:](#)

[154-7616M](#)