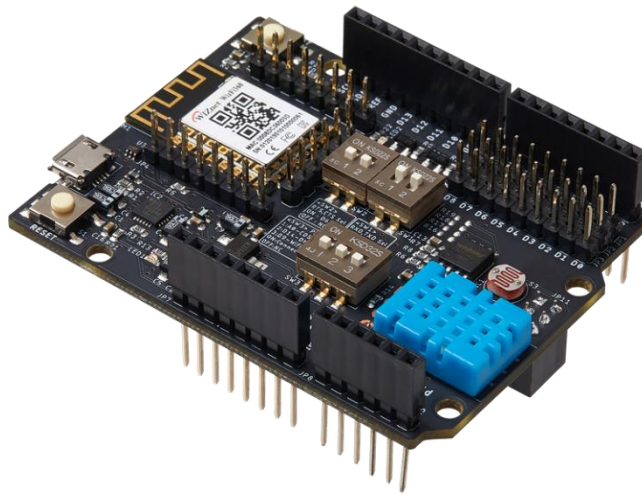


WizFi360-EVB-Shield Datasheet

(Version 1.12)




<http://www.wiznet.io>

Document Revision History

Date	Revision	Changes
2019-07-25	V1.0	Official Release
2019-09-20	V1.1	Added "Figure 3", "Figure 4" – DIP SW On/Off State Added "Figure 5", "Figure 6" – DIP SW On/Off signal wiring Added "Figure 8" - UART Selector Pin Header Example
2019-10-10	1.11	Added "3. Electrical Specifications" Edited "6.1 DIP Switch Configurations"
2019-10-18	1.12	Changed Board name Edited "6.1 DIP Switch Configurations" – "SW2" – "OFF"

Table of Contents

1. Overview	4
2. Features	4
2.1. WizFi360	4
2.2. ETC	5
3. Electrical Specifications	6
4. Block Diagram	6
5. Callout	7
6. Board Configurations	8
6.1. DIP Switch Configurations	8
6.2. UART Selector Pin Header	11
7. Schematic & Partlist	12
8. Dimension	13
9. Important Notice	14

1. Overview

This document describes WizFi360-EVB-Shield. WizFi360-EVB-Shield is a development board for experiment, test and verification of WizFi360. WizFi360-EVB-Shield can also be used as an Arduino shield.

WizFi360 is a low cost and low-power consumption industrial-grade Wi-Fi module. It is compatible with IEEE802.11 b/g/n standard and supports Soft-AP, Station and Soft-AP + Station modes. The serial port baud rate can be up to 2Mbps, which can meet the requirement of various applications.

2. Features

2.1. WizFi360

- Wi-Fi 2.4GHz 802.11 b/g/n
- Support Station / Soft-AP / Soft-AP + Station operation modes
- Support "Data pass-through" and "AT command data transfer" mode
- Support serial AT command configuration
- Support TCP Server / TCP Client / UDP operating mode
- Support configuration of operating channel 0 ~ 13
- Support auto 20MHz / 40MHz bandwidth
- Support WPA_PSK / WPA2_PSK encryption
- Serial port baud rate up from 600bps to 2Mbps with 16 common values
- Support up to 5 TCP / UDP links
- Obtaining IP address automatically from the DHCP server (Station mode)
- DHCP service for Wireless LAN clients (AP mode)
- Support DNS for communication with servers by domain name
- Support "Keep-Alive" to monitor TCP connection
- Support "Ping" for monitoring network status
- Built-in SNTP client for receiving the network time
- Support built-in unique MAC address and user configurable

- Support firmware upgrade by UART Download / OTA (via WLAN)
- Industrial grade (operating temperature range: -40 ° C ~ 85 ° C)
- CE, FCC, KC certification

2.2. ETC

- Built-in UART to USB chip
 - CP2104-GM
 - Micro USB B Type Connector
- UART Selector
 - JP1, JP2, JP3
 - 2.54mm Pin Header
- Built-in Sensors
 - Temperature/Humidity Sensor: DHT11
 - CDS Sensor: GL5537
- Built-in Tact Switches
 - System Reset Switch: S1
 - Wi-Fi Reset Switch: S2
- Built-in LED Indicators
 - D13 LED
- Built-in Level Shifters
 - The voltage of the RXD/TXD signal changes according to the main board platform voltage.
- Built-in DIP Switches
 - UART RXD/TXD Selector: SW1
 - UART RTS/CTS Selector: SW2
 - Sensor/RESET Pins Selector: SW3

3. Electrical Specifications

Parameters	Min	Typ	Max	Unit
Operation Voltage	4.5	5	5.5	V
Send IEEE802.11b, CCK 11Mbps, POUT = +19 dBm	-	230	290	mA
Send IEEE802.11g, OFDM 54Mbps, POUT = +13.5 dBm	-	210	-	mA
Send IEEE802.11n, OFDM MCS7, POUT = +12 dBm	-	210	-	mA
Receive IEEE802.11 b/g/n	-	100	110	mA
Standby Mode	-	135	-	mA
Modem Sleep Mode	-	20	-	mA
Light Sleep Mode	-	13	-	mA

4. Block Diagram

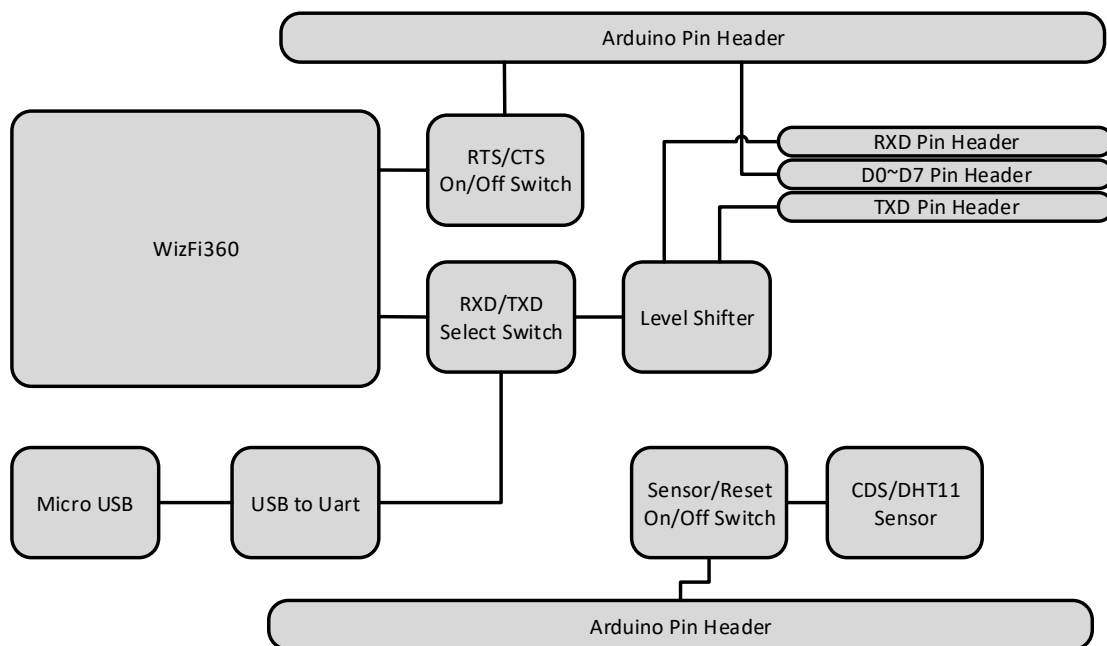


Figure 1. WizFi360-EVB-Shield Block Diagram

5. Callout

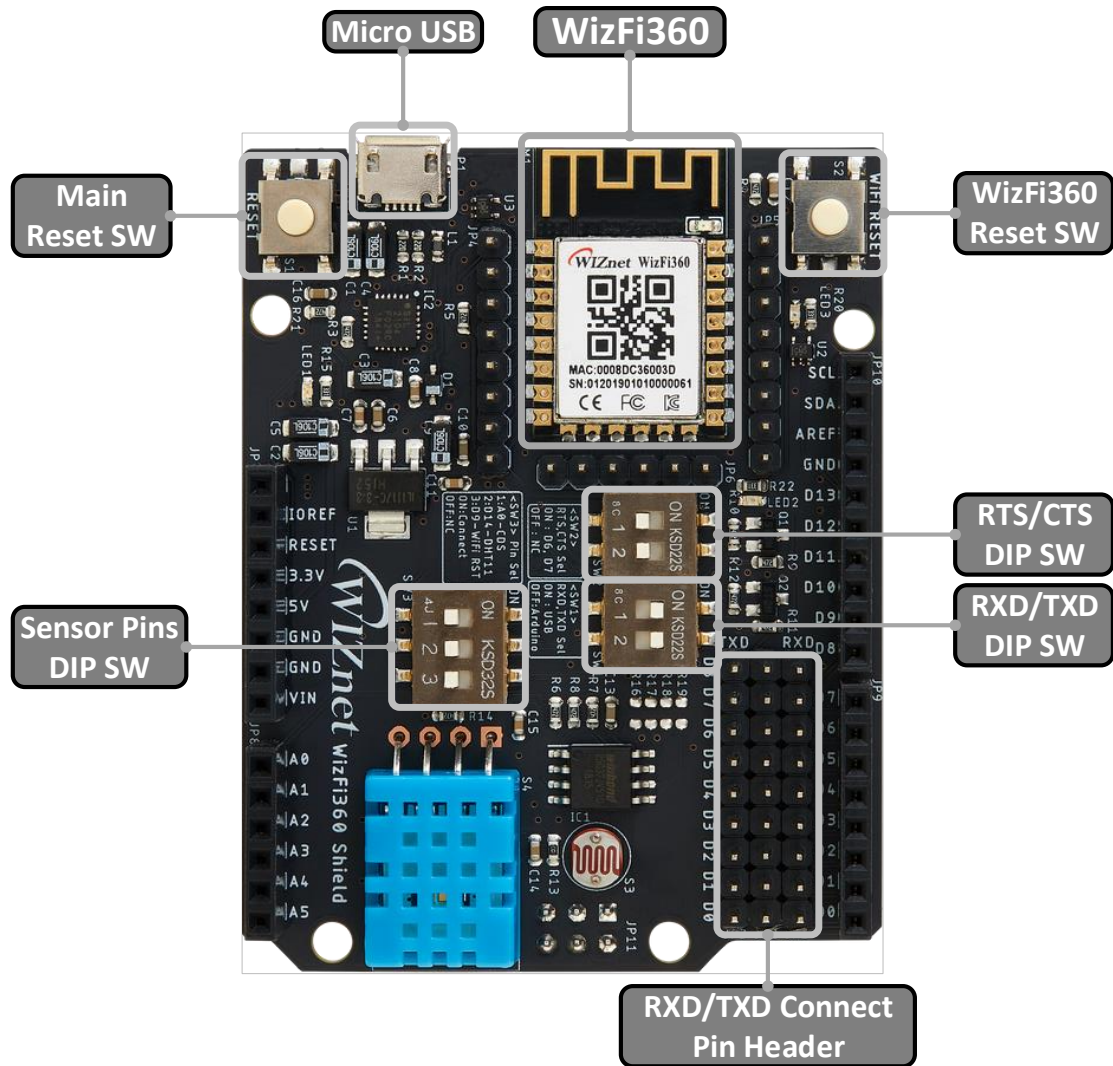


Figure 2. Callout

6. Board Configurations

6.1. DIP Switch Configurations



Figure 3. Off State



Figure 4. On State

- SW1 – RXD/TXD Selector DIP Switch
 - ON: RXD/TXD of WizFi360 connect to USB

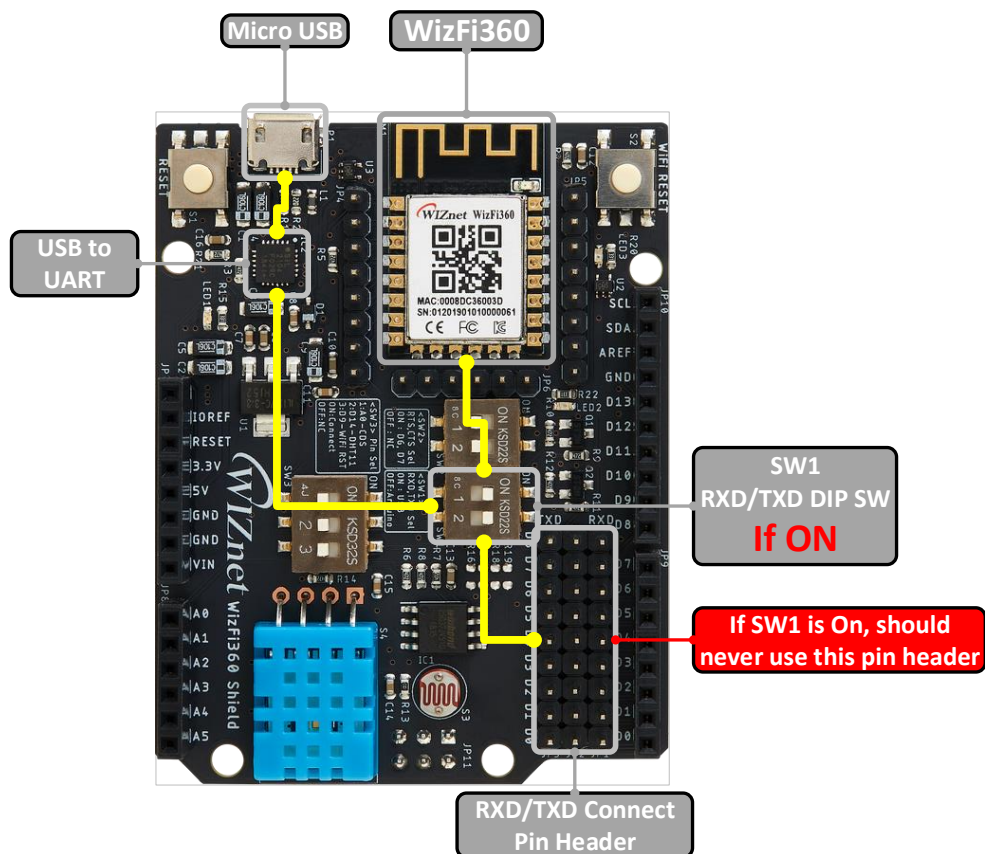


Figure 5. If SW1 ON, signal wiring

- ◆ It is only possible to communicate with WizFi360 using USB.
- ◆ If this DIP SW On, should never use RXD/TXD Pin Header
- OFF: RXD/TXD of WizFi360 connect to JP1 and JP3

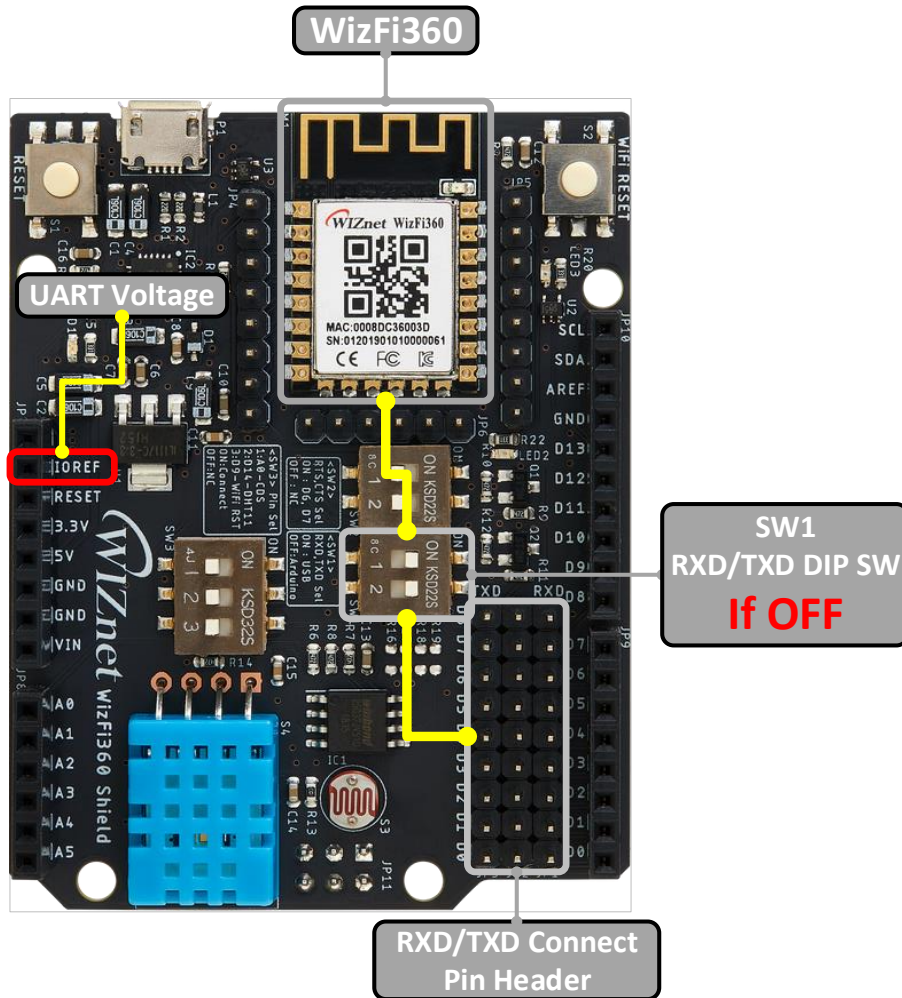


Figure 6. If SW1 OFF, signal wiring

- ◆ UART Pin Header, Arduino PIN
- ◆ If the jumper cap is not attached to the UART pin header, it will not be connected to the Arduino pin.
- ◆ **UART output voltage is IOREF voltage.**
 - IO voltage of MCU you use must be connected as IOREF.
- Pin 1: RXD
- Pin 2: TXD
- **SW2** – RTS/CTS Selector DIP Switch

- **ON:** RTS/CTS of WizFi360 connect to D7 and D6
 - ◆ **If the state of SW2 is ON, D7 and D6 of UART jumper cannot be used.**
- **OFF:** RTS/CTS of WizFi360 not connect to anywhere
 - ◆ Pin 1: RTS – D7
 - ◆ Pin 2: CTS – D6
- **SW3** – Sensor/RESET Pins Selector DIP Switch
 - **ON:** Connect to Arduino Pin
- **OFF:** Not connect to anywhere
 - Pin 1: A0 – CDS
 - Pin 2: D14 – DHT11
 - Pin 3: RESET

6.2. UART Selector Pin Header

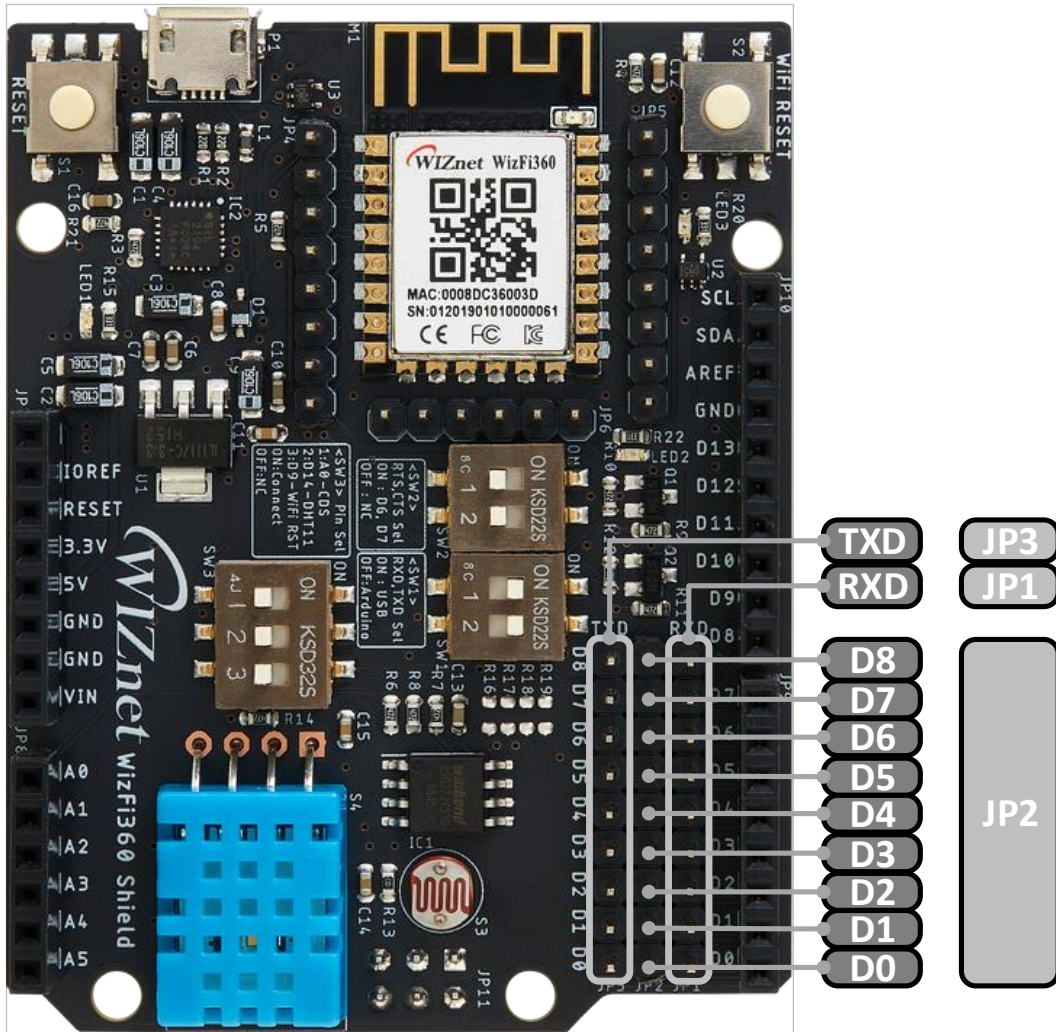


Figure 7. UART Selector Pin Header

If state of SW1 is OFF, you can use this Pin Header. You can use the jumper cap to connect the pin header to select the RXD / TXD pin for the Arduino.

- JP1 – WizFi360 RXD (Connected to all pins of JP1)
- JP2 – Arduino D0~D8 Pins
 - Ex) JP2-1pin connected D0, JP2-2pin connected D1... JP2-9pin connected D8
- JP3 – WizFi360 TXD (Connected to all pins of JP3)

EX) If you connect the jumper cap as shown in the Figure. 6, RXD is connected to D0, TXD is connected to the D1.

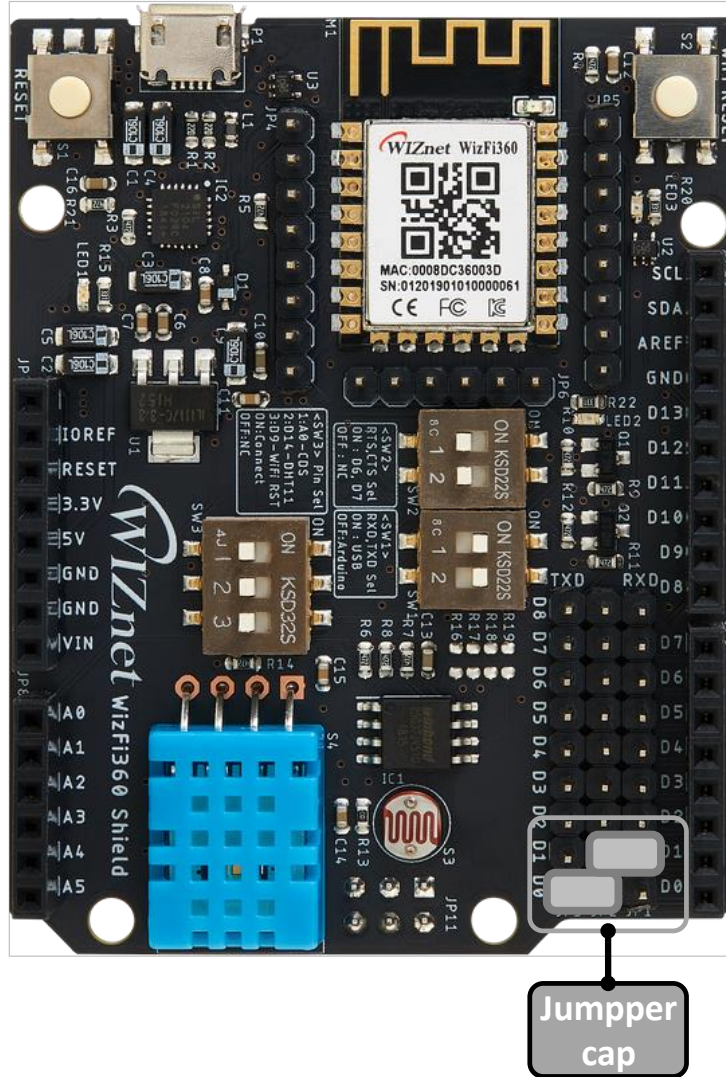


Figure 8. UART Selector Pin Header Example

7. Schematic & Partlist

https://github.com/Wiznet/Hardware-Files-of-WIZnet/tree/master/07_WizFi_Module/WizFi360-EVB-Shield

8. Dimension

The dimension of WizFi360-EVB is the same as Arduino UNO.

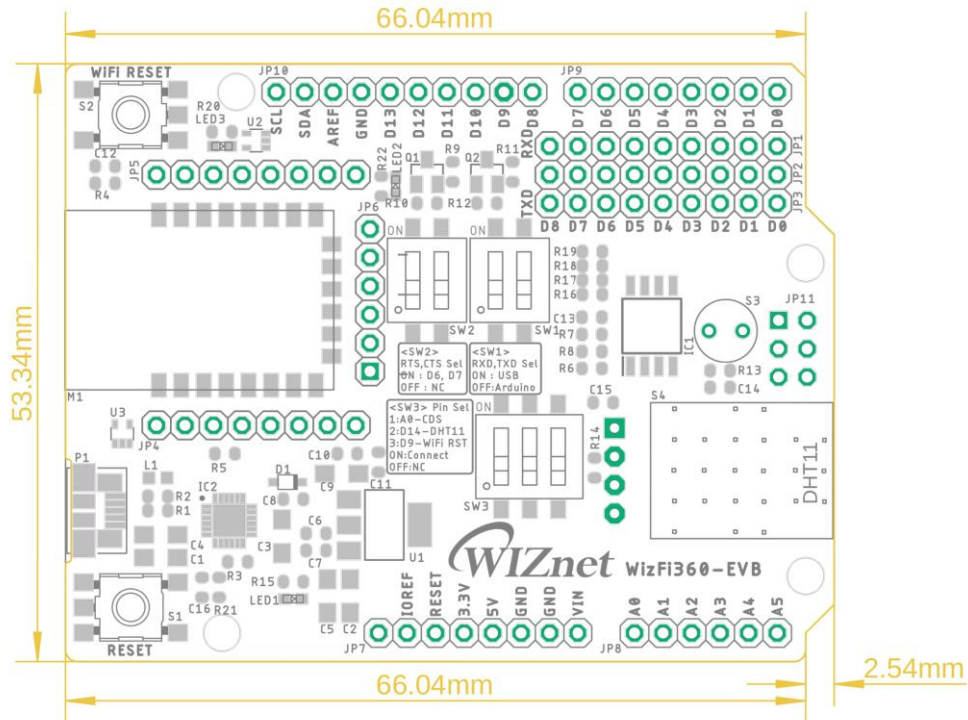


Figure 9. Dimension

9. Important Notice

WIZnet reserves the right to make corrections, modifications, enhancements, improvements and other changes to its products and services at any time, and to discontinue any product or service without notice. Customers should obtain the latest relevant information before placing orders, and should verify that such information is current and complete. All products are sold subject to WIZnet's terms and conditions of sale, supplied at the time of order acknowledgment. Information relating to device applications, and the like, is intended as suggestion only and may be superseded by updates. It is the customer's responsibility to ensure that their application meets their own specifications. WIZnet makes no representation and gives no warranty relating to advice, support or customer product design.

WIZnet assumes no responsibilities or liabilities for the use of any of its products, conveys no license or title under any patent, copyright or mask work rights to these products, and makes no representations or warranties that these products are free from patent, copyright or mask work infringement, unless otherwise specified.

WIZnet products are not intended for use in life support systems/appliances or any systems where product malfunction can reasonably be expected to result in personal injury, death, severe property damage or environmental damage. WIZnet customers using or selling WIZnet products for use in such applications do so at their own risk and agree to fully indemnify WIZnet for any damages resulting from such use.

All trademarks are the property of their respective owners.

Copyright Notice

Copyright 2019 WIZnet Co., Ltd. All Rights Reserved.

Technical Support: <https://forum.wiznet.io/>

Sales & Distribution: sales@wiznet.io

For more information, visit our website at <http://www.wiznet.io/>

Mouser Electronics

Authorized Distributor

Click to View Pricing, Inventory, Delivery & Lifecycle Information:

[WIZnet:](#)

[WizFi360 EVB \(Shield\)](#) [WizFi360-EVB-Shield](#)