

Dupline® Transmitter with Built-in Temperature Sensor Type G 8911 1010



- AnaLink temperature transmitter with built-in Pt 1000 sensor
- Temperature range: -30°C to +60°C (-22° to +140°F)
- Uses only 1 channel
- Channel coding by GAP 1605
- M12 connection
- Easily mountable
- Supplied by Dupline®

Product Description

The sensor is mounted right at the location where the temperature is to be measured, e.g. freezer cabinets in super markets, cold storage rooms

etc. The sensor measures the temperature and transmits the value to the controller G 3890 0030, which then performs the logging and alarming.

Type Selection

Supply **Ordering no. 1 channel Pt 1000 sensor**

By Dupline® **G 8911 1010**

Supply Specifications

Power supply
Rated operational current **Supplied by Dupline®
Typ. 800 µA**

Ordering Key

G 8911 1010

Type: Dupline®
Type

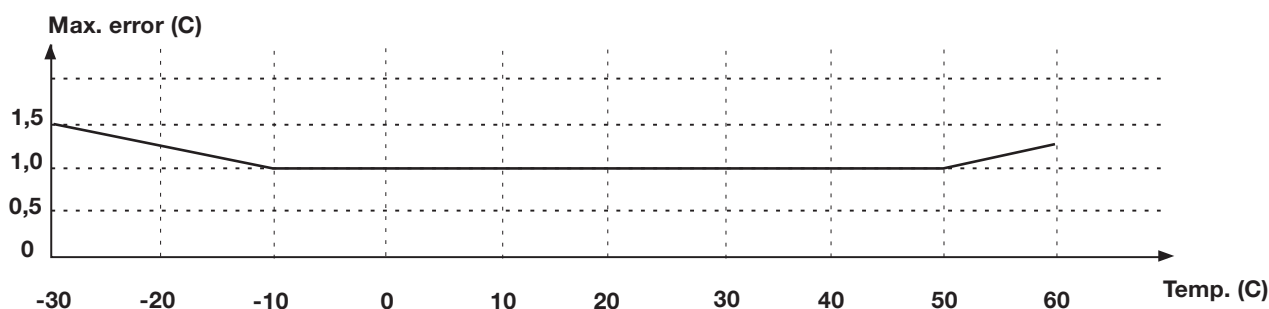
General Specifications

Channel programming	By GAP 1605
Channel assignment	1 channel, freely programmable
Environment	IP 67
Operating temperature	-30° to +60°C (-22° to +140°F)
Storage temperature	-55° to +85°C (-67° to +185°F)
Mechanical resistance	
Shock	15 G (11 ms)
Vibration	2 G (6 to 55 Hz)
Connection	M12 plug
Housing	Flat-pack
Material	Housing: Polycarbonate Plug: Nylon
Colour	Light grey
Dimensions (l x w x d)	67 x 35 x 15 mm
Mounting	Direct wall mounting*)

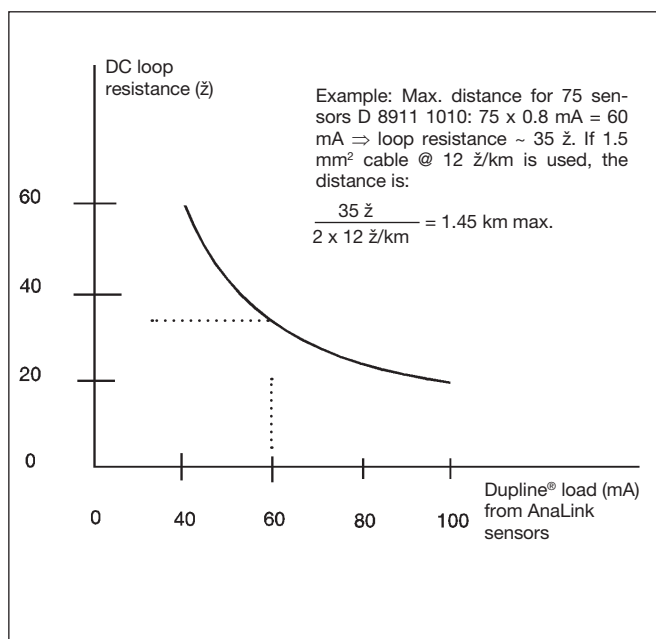
*) To measure the air temperature, the sensor should not be wall-mounted, but should be exposed to air flow.

Sensor Specifications

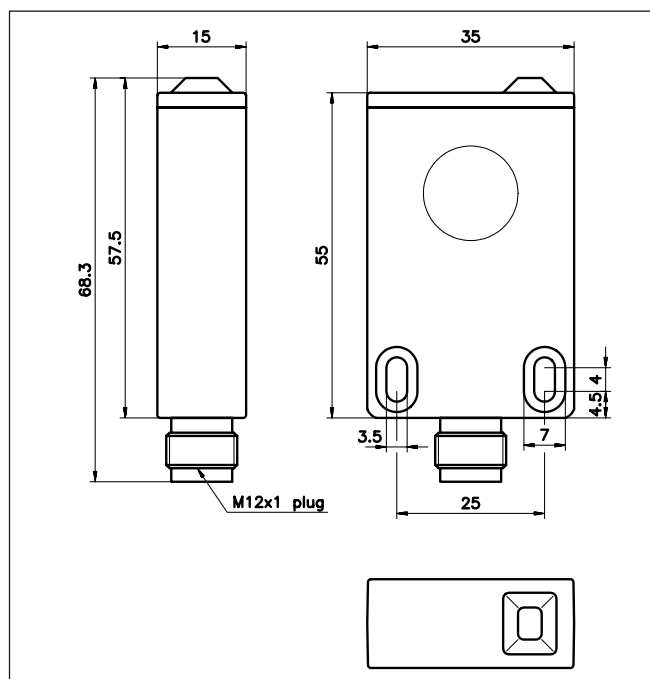
Sensor	Pt 1000 (built-in)	Time constant	Typ. 450 s (air flow = 0 m/s) Typ. 350 s (air flow = 1 m/s)
Temperature measuring range	-30 to +60°C (-22 to +140°F)	Resolution	8 bits (approx. 0.35 K/LSB)
Temperature probe	Pt 1000 (built-in)		
Accuracy	See curve below		



Distance versus No. of Sensors



Dimensions



Connections

M12 plug with terminals

Pin 1: Dupline® D+
Pin 4: D-

Standard cable with
M12 plug (IEC 60947-5-2)
with 4 wires:

Brown: Dupline® (1) D+
Black: (4) D-
Blue: (3) D-
White: (2) D-

with 3 wires (1-3-4):

Brown: Dupline® (1) D+
Black: (4) D-
Blue: (3) D-

with 2 wires (1-4)

Brown: Dupline® (1) D+
Blue: D-

Note: All wires **must** be connected.

Accessories

Coding cable

GTS-CAB*

Angular M12 plug

CONM14NF-A

Straight M12 plug

CONM14NF-S

Cable with angular plug

CONM13NF-A**

Cable with straight plug

CONM13NF-S**

* Delivered with the G 3890 0030.

** Indicate length 2 m or 5 m.

Mouser Electronics

Authorized Distributor

Click to View Pricing, Inventory, Delivery & Lifecycle Information:

[Carlo Gavazzi:](#)

[G89111010](#) [GAP-CAB](#) [GAP-TPH-CAB](#)