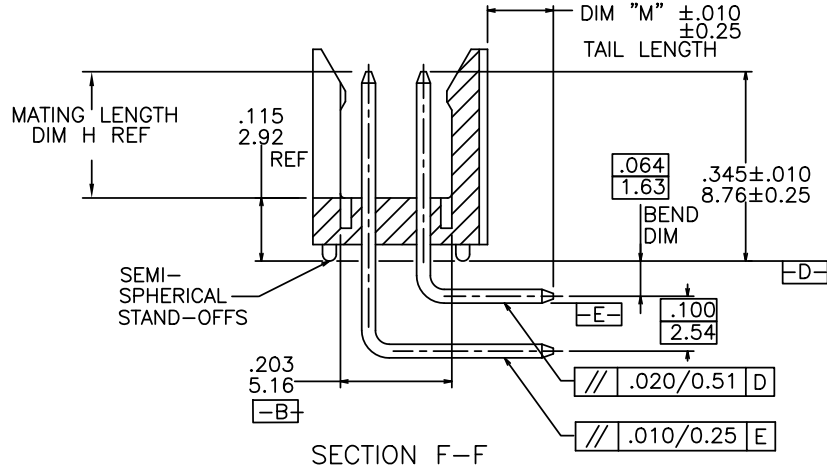
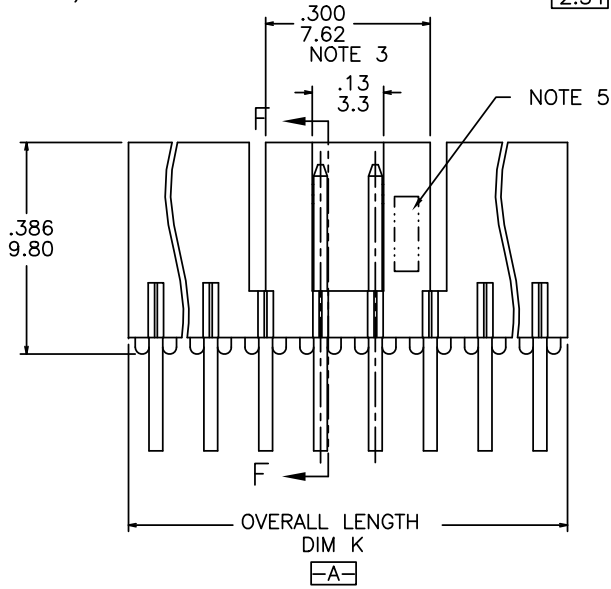
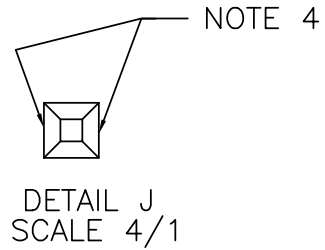
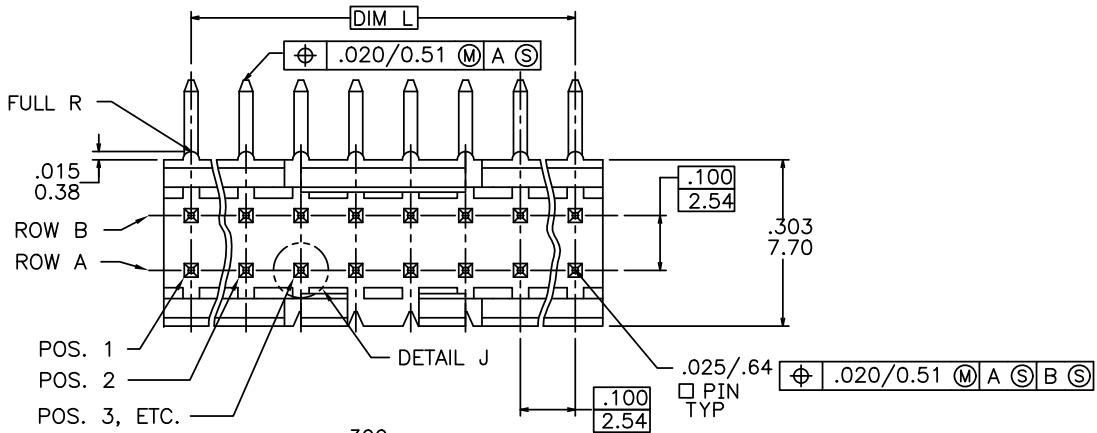


PRODUCT NO.
78207-XYTZHLF

- LEAD FREE OPTION - NOTE 8, 9, 10
- CUSTOMER SPECIALS - NOTE 7
- TUBE PACKAGING OPTION - NOTE 6
- NO. OF POSITIONS
SEE TABLE
- PIN PLATING
BASE P/N



mat'l. code		surface ISD 1302 ✓		tolerance ISD 406 ISD 1101		projection ⊕		product family HEADER	
ltr ecn nldr date		tolerances unless otherwise specified		angles		line		title	
U	EX-N-011910	JZ	2012-05-31					INCH/MM	FRICITION LATCH HEADER DOUBLE ROW, R/A
N	M05-0134	ERE	06/15/05	0°±2'				scale 3:1	
P	M06-0256	ERE	9/07/06	dr	S.ROYER	01/21/94			
R	M08-0023	MHT	1/28/08	engr	L.FYE	01/21/94			
S	M08-0291	MHT	10/08/08	chr	L.FYE	01/21/94			
T	M09-0009	MHT	1/19/09	appd	L.FYE	01/21/94			
sheet	revision	U	U						
index	sheet	1	2						



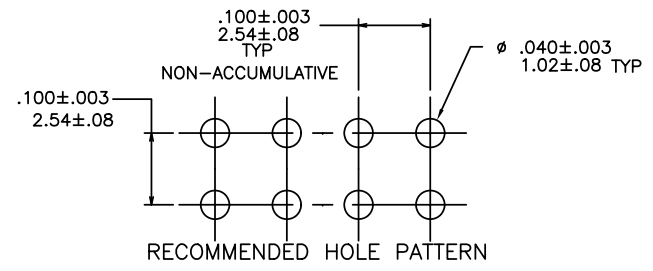
PRODUCT NUMBER	NO OF POS	MATING LENGTH DIM H	OVERALL LENGTH DIM K	DIM L	TAIL LENGTH DIM "M"
78207-X06	2 X 3	.230/5.84	.300/7.62	.200/5.08	.120/3.05
-X08	2 X 4	.230/5.84	.400/10.16	.300/7.62	
-X10	2 X 5	.230/5.84	.500/12.70	.400/10.16	
-X12	2 X 6	.230/5.84	.600/15.24	.500/12.70	
-X14	2 X 7	.230/5.84	.700/17.78	.600/15.24	
-X16	2 X 8	.230/5.84	.800/20.32	.700/17.78	
-X18	2 X 9	.230/5.84	.900/22.86	.800/20.32	
-X18A	2 X 9	.210/5.33	.900/22.86	.800/20.32	
-X20	2 X 10	.230/5.84	1.000/25.40	.900/22.86	
-X22	2 X 11	.230/5.84	1.100/27.94	1.000/25.40	
-X24	2 X 12	.230/5.84	1.200/30.48	1.100/27.94	
-X26	2 X 13	.230/5.84	1.300/33.02	1.200/30.48	
-X28	2 X 14	.230/5.84	1.400/35.56	1.300/33.02	
78207-X30	2 X 15	.230/5.84	1.500/38.10	1.400/35.56	.120/3.05
78207-X32					
THRU		UNAVAILABLE			
78207-X72					
78207-X80	2 X 4	.230/5.84	.400/10.16	.300/7.62	.100/2.54

NOTE 7

- NOTES:
- MOLDING MAT'L: GLASS REINFORCED PCT OR MINERAL FILLED LCP, COLOR: BLACK
FLAME RETARDANT PER UL 94 V-0
MAXIMUM OPERATING TEMPERATURE: 130° C.
 - PIN MATERIAL: 3/4 HD PHOS. BRZ.
 - NO SLOTS ON 2 X 5 POSITION OR SMALLER PRODUCT. THE CENTER KEY SLOT WILL BE ON ALL HEADERS REGARDLESS OF SIZE.
 - TWO NON-CRITICAL SIDES OF PIN TIP NOT PLATED, BOTH ENDS.
 - COMPANY LOGO MAY APPEAR IN THIS AREA.
 - "T" ATTACHED TO THE P/N INDICATES PARTS ARE TO BE PACKAGED IN TUBES.
 - CUSTOMER SPECIAL -- "A" SUFFIX INDICATES 0.210/5.33 MATING LENGTH.
 - ADD "HLF" SUFFIX AT THE END OF PART NUMBER FOR LEAD FREE OPTION, NOT AVAILABLE FOR -5YY, -5YYH, -6YY & -6YYH.
 - PART NUMBERS WITH "H" SUFFIX WILL WITHSTAND EXPOSURE TO 260°C PEAK TEMPERATURE FOR 20 SECONDS IN WAVE SOLDER, INFRA-RED OR VAPOR PHASE SOLDER PROCESS.

PART NUMBERS WITHOUT "H" SUFFIX WILL WITHSTAND EXPOSURE TO 260°C PEAK TEMPERATURE FOR WAVE SOLDER PROCESS.
 - THIS PRODUCT MEETS EUROPEAN UNION DIRECTIVES AND OTHER COUNTRY REGULATION AS DESCRIBED IN GS-22-008.
 - PLATING OPTIONS:
PERFORMANCE PLATING WILL BE EITHER GOLD OR GXT ON CONTACT OR TAIL, OPTIONALLY (78~295u"/2~7.5u) TIN ON TAIL.
 - "THIS PRODUCT HAS 100% TIN PLATING IN THE INTERFACE AND HAS NOT BEEN TESTED FOR WHISKER GROWTH IN ALL INTERCONNECT ENVIRONMENTS."

PIN PLATING CODES	
-1YY	30u"/.76u (SEE NOTE 11) 50u"/1.27u Ni
-2YY	15u"/.38u (SEE NOTE 11) 50u"/1.27u Ni
-3YY	50u"/1.27u (SEE NOTE 11) 50u"/1.27u Ni
-4YY	100u"/2.54u MIN Sn 50u"/1.27u Ni (SEE NOTE 12)
-4YYHLF	
-5YY	15u"/.38u (SEE NOTE 11) 50u"/1.27u Ni
-6YY	30u"/.76u (SEE NOTE 11) 50u"/1.27u Ni
-7YY	30u"/.76u (SEE NOTE 11) OVER 50u"/1.27u Ni
-8YY	15u"/.38u (SEE NOTE 11) OVER 50u"/1.27u Ni



mat'l. code	surface ISO 1302 ✓	tolerance ISO 406 ISO 1101	projection ①	product family HEADER
ltr ecn nldr date	tolerances unless otherwise specified		INCH/MM	title FRICTION LATCH HEADER DOUBLE ROW, R/A
U	angles 0°±2'	linear XXX±.01/XXX.3 XXX±.005/XXX±0.13 XXX±.0020/XXX±0.05	scale 3:1	dwg no 78207
	dr S.ROYER	01/21/94	FCJ	shee 2 of 2 size A3
	enr L.FYE	01/21/94		type Product Customer Drawing
	chr L.FYE	01/21/94		
	app L.FYE	01/21/94		
sheet index	revision sheet			

Mouser Electronics

Authorized Distributor

Click to View Pricing, Inventory, Delivery & Lifecycle Information:

[FCI / Amphenol:](#)

[78207-116T](#) [78207-118T](#) [78207-208](#) [78207-212](#) [78207-410](#) [78207-508](#) [78207-510](#) [78207-512](#) [78207-130](#)
[78207-122](#) [78207-114](#) [78207-112](#) [78207-108](#) [78207-110](#) [78207-106](#) [78207-116](#) [78207-110THLF](#) [78207-114HLF](#)
[78207-118HLF](#) [78207-120HLF](#) [78207-122HLF](#) [78207-124HLF](#) [78207-126HLF](#) [78207-128HLF](#) [78207-206HLF](#)
[78207-208HLF](#) [78207-208THLF](#) [78207-210HLF](#) [78207-212HLF](#) [78207-214HLF](#) [78207-216HLF](#) [78207-218HLF](#)
[78207-220HLF](#) [78207-222HLF](#) [78207-224HLF](#) [78207-226HLF](#) [78207-228HLF](#) [78207-230HLF](#) [78207-308HLF](#)
[78207-310HLF](#) [78207-312HLF](#) [78207-316HLF](#) [78207-320HLF](#) [78207-328HLF](#) [78207-406HLF](#) [78207-408HLF](#)
[78207-410HLF](#) [78207-412HLF](#) [78207-416HLF](#) [78207-418HLF](#) [78207-422HLF](#) [78207-424HLF](#) [78207-426HLF](#)
[78207-428HLF](#) [78207-430HLF](#) [78207-118](#) [78207-120](#) [78207-126](#) [78207-108HTLF](#) [78207-114T](#) [78207-124THLF](#)
[78207-180HLF](#) [78207-208HTLF](#) [78207-306HLF](#) [78207-314HLF](#) [78207-318HLF](#) [78207-322HLF](#) [78207-324HLF](#)
[78207-326HLF](#) [78207-330HLF](#) [78207-414HLF](#) [78207-420HLF](#) [78207-108HLF](#) [78207-106HLF](#) [78207-110HLF](#)
[78207-130HLF](#) [78207-112HLF](#) [78207-116HLF](#) [78207-112THLF](#) [78207-118THLF](#) [78207-116THLF](#)