

TECHNICAL SPECIFICATION

HOUSING MATERIAL : THERMOPLASTIC POLYESTER UL94V-0 , GREY
 HOUSING CAN WITHSTAND EXPOSURE TO LEAD FREE WAVE SOLDERING TEMPERATURE OF 250-265°C FOR STRAIGHT CONNECTORS AS IT IS IN CLASSICAL LEAD WAVE SOLDERING AT 235-250°C

CONTACT MATERIAL : COPPER ALLOY
 CONTACT ACTIVE ZONE PLATING : GOLD OVER NICKEL
 CONTACT TERMINATION ZONE
 TIN LEAD VERSION : TIN LEAD OVER NICKEL
 LEAD FREE VERSION : TIN (PURE MATTE) OVER Ni

ELECTRICAL DATA

CURRENT RATING AT 20°C : 1.5 A
 CURRENT (I MAX) : 2 A
 TEMPERATURE RANGE : -55°C/+125°C
 CONTACT RESISTANCE : ≤ 20mΩ
 INSULATION RESISTANCE : ≥ 10⁶ MΩ
 TEST VOLTAGE (rms) : 1000V

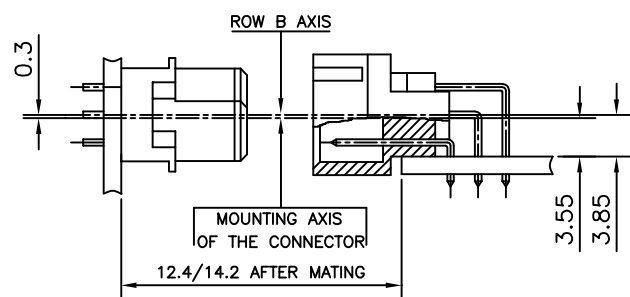
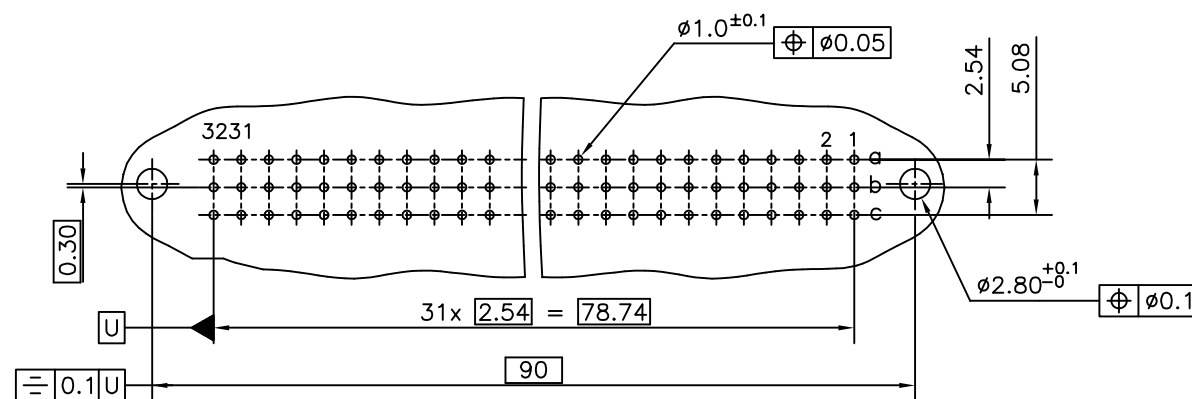
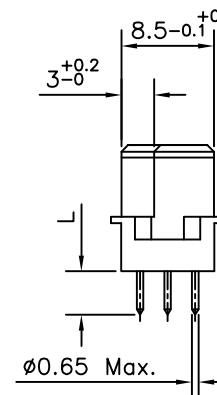
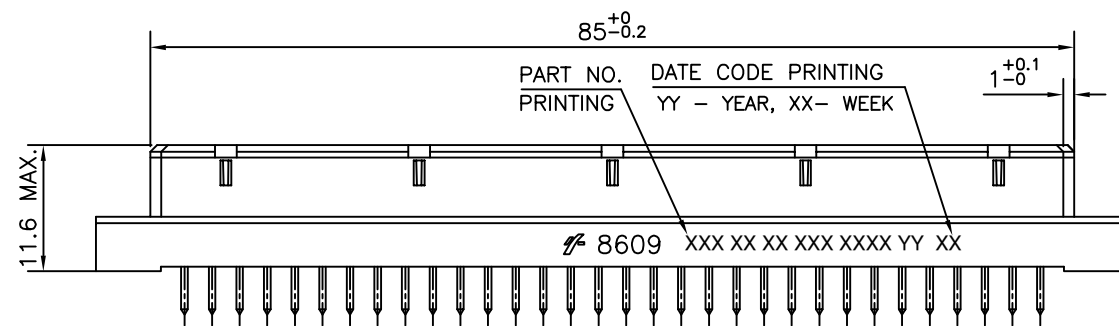
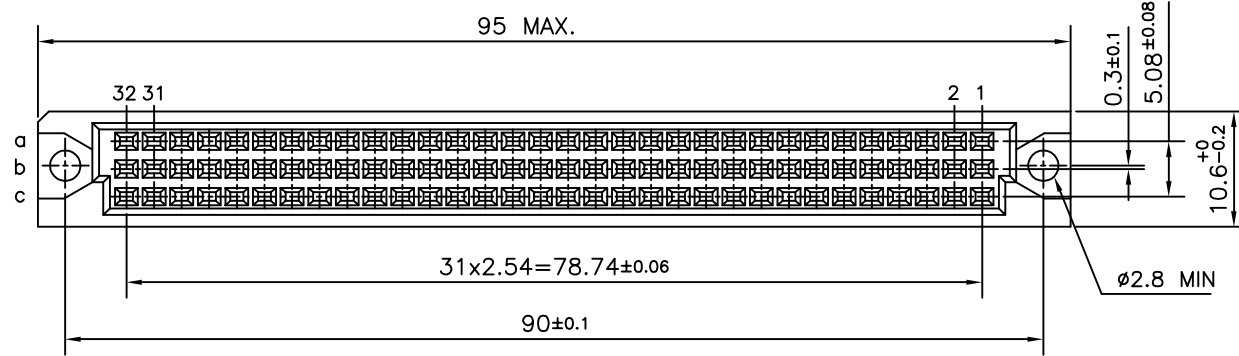
MECHANICAL DATA

INSERTION FORCE PER CONTACT : ≤ 0.94N
 EXTRACTION FORCE PER CONTACT : ≥ 0.15N

REFERENCE SPECIFICATIONS : DIN 41612 / IEC 603-2

SERIES	8609	3	96	8	1	14	7	5	5	000E1
ROWS FITTED WITH CONTACTS										
Rows a b c		3	96							
Rows a - c		4	64							
NUMBER OF CONTACTS										
TYPE OF INSULATOR										
3 ROW FEMALE INSULATOR										8
METHOD OF MOUNTING										
STANDARD MOUNTING - STYLE C										1
TERMINATION										
SHORT STRAIGHT SPILL (L = SEE TABLE)										24
LONG STRAIGHT SPILL (L = SEE TABLE)										14
OPTIONS										
NO OPTION										7
PERFORMANCE CLASS										
DIN 41612 CLASS 3										4
DIN 41612 CLASS 2										5
DIN 41612 CLASS 1										6
AS PER MIL C 55302/ JSS 50808										8
PITCH PER ROW										
2.54										5
000E1										TIN LEAD VERSION
E1LF										LEAD FREE VERSION

24	2.5
14	4.0
TERM. STYLE	L ^{+0.7} ₋₀



- NOTES:-
1. THE "LF" PRODUCTS MEET EUROPEAN UNION DIRECTIVES AND OTHER COUNTRY REGULATIONS AS DESCRIBED IN GS-22-008
 2. THE HOUSING WILL WITHSTAND EXPOSURE TO 260°C PEAK TEMPERATURE FOR 3.5 SECONDS IN A WAVE SOLDER APPLICATION WITH A 1.6 MM MINIMUM THICK CIRCUIT BOARD
 3. LEAD FREE OR RoHS DIRECTIVE LABELING TO BE PROVIDED AS PER GS-14-920 FOR LEAD FREE VERSION.

mat'l. code		surface		tolerance		projection		product family	
-		ISO 1302		ISO 406 ISO 1101		mm		8609	
litr		ecn no		dr		date		title	
A		I05-0017		MINI		02/02/2005		DIN STANDARD RECEPTACLE	
B		I06-0062		MINI		01/06/2006		STRAIGHT DIN 41612 STYLE-C	
sheet index		revision sheet		B		1		type Product Customer Drawing	

Mouser Electronics

Authorized Distributor

Click to View Pricing, Inventory, Delivery & Lifecycle Information:

[FCI / Amphenol:](#)

[86093968114755E1LF](#) [86093968114765E1LF](#)