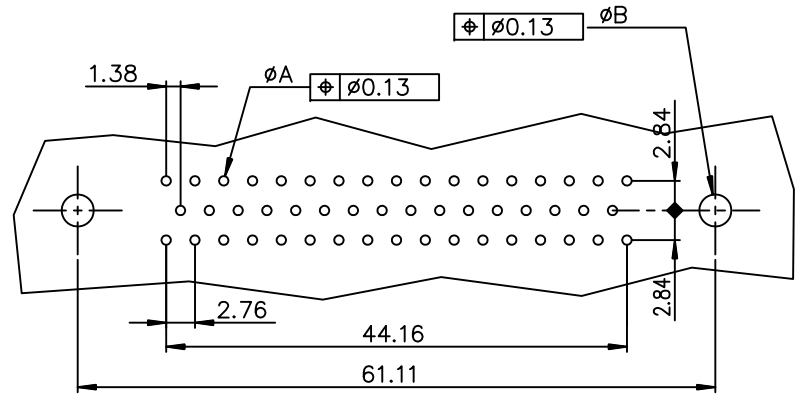
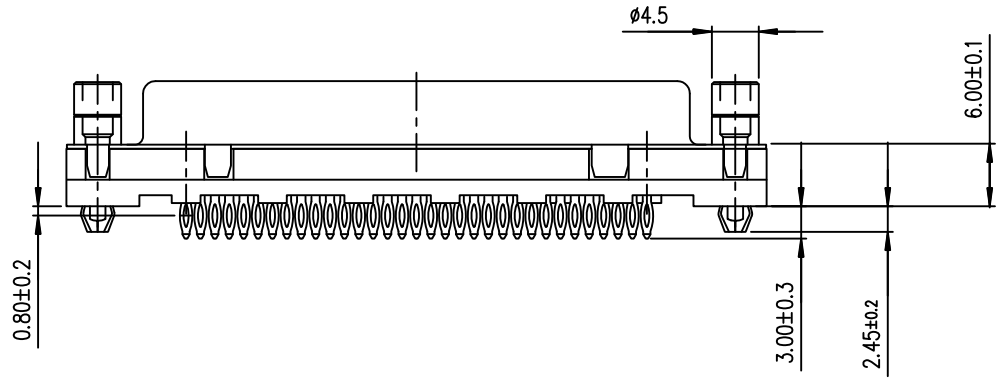


PC board drilling dimensions  
(after plating – thickness: 1.60 to 3.20 mm)



ROHS PART NUMBER

PART NUMBER	
200 Mating	D50S91C4GI00LF
500 Mating	D50S91C6GI00LF

GENERAL CHARACTERISTICS AND ROHS INFORMATIONS:

SEE DRAWING C01-8646-0001

mat'l. code				surface ISO 1302 ✓		tolerance ISO 406 ISO 1101		projection		product family D-SUB	
ltr				ecn no		dr		date		title	
B	LS05-0056	MPE	2005-07-04	angles		linear		.0±0.1		FEMALE CONNECTOR DELTA D	
C	LS06-0097	LGO	2006-07-28	0°±2'				.00±0.1		STRAIGHT PRESS FIT-FEMALE M3	
D	LS06-0140	LGO	2006-11-21					.000±0.1		scale 2:1	
E	111-0062	RPK	2011-04-05	dr		PESSON		1996-09-17		dwg no sheet 1 of 1 size	
F	ELX-I-24020	AAB	2016-06-06	eng		MITHUN PAUL		2016-06-06		C01-8646-0499 A3	
				chr		ATHUL A.B		2016-06-06		Amphenol FCI	
				appd		BIJU K PAUL		2016-06-06		type Product Customer Drawing	
sheet index		revision F		sheet 1							

# Mouser Electronics

Authorized Distributor

Click to View Pricing, Inventory, Delivery & Lifecycle Information:

[FCI / Amphenol:](#)

[D50S91C4GI00LF](#)