

- **Smallest encapsulated 15 W Converter!**
Ultra compact size: 1.0" x 1.0" x 0.4"
- **Shielded metal case with isolated baseplate**
- **Ultrawide 4:1 input ranges:**
9-36 VDC or 18-75 VDC
- **Output voltage Trim**
- **5 Vout models with trim up to 6 VDC**
ideal for LDO applications
- **I/O isolation voltage 1500 VDC**
- **Very high efficiency up to 87%**
- **Operating temp. range:**
-40°C to +85°C
- **Remote On/Off control**
- **3-year product warranty**



The THN 15WI series is the latest generation of high performance DC/DC converter modules setting new standards concerning power density. This product with 15 W comes in a encapsulated, shielded metal package with dimensions of only 1.0" x 1.0" x 0.4" and occupies 50% (!) less board space. All models have ultra wide 4:1 input voltage range and precisely regulated output voltages. Advanced circuit design provides high efficiency up to 87% which allows an operating temperature range of -40°C to +85°C (with derating) Further features include remote On/Off and trimmable output. Typical applications for these converters are battery operated equipment, mobile instrumentation, distributed power architectures in communication and industrial electronics and everywhere where space on PCB is critical.

| Models | | | | | | |
|------------------|------------------------------|----------|------------------|----------|------------------|-----------------|
| Order Code | Input Voltage Range | Output 1 | | Output 2 | | Efficiency typ. |
| | | Vnom | I _{max} | Vnom | I _{max} | |
| THN 15-2410WI | 9 - 36 VDC (24 VDC nom.) | 3.3 VDC | 4'000 mA | | | 86 % |
| THN 15-2411WI | | 5 VDC | 3'000 mA | | | 86 % |
| THN 15-2411WI-A1 | | 5 VDC | 3'000 mA | | | 86 % |
| THN 15-2412WI | | 12 VDC | 1'300 mA | | | 87 % |
| THN 15-2413WI | | 15 VDC | 1'000 mA | | | 87 % |
| THN 15-2415WI | | 24 VDC | 625 mA | | | 90 % |
| THN 15-2421WI | | +5 VDC | 1'500 mA | -5 VDC | 1'500 mA | 85 % |
| THN 15-2422WI | | +12 VDC | 625 mA | -12 VDC | 625 mA | 87 % |
| THN 15-2423WI | | +15 VDC | 500 mA | -15 VDC | 500 mA | 88 % |
| THN 15-2425WI | | +24 VDC | 315 mA | -24 VDC | 315 mA | 91 % |
| THN 15-4810WI | 18 - 75 VDC (48 VDC nom.) | 3.3 VDC | 4'000 mA | | | 86 % |
| THN 15-4811WI | | 5 VDC | 3'000 mA | | | 87 % |
| THN 15-4811WI-A1 | | 5 VDC | 3'000 mA | | | 87 % |
| THN 15-4812WI | | 12 VDC | 1'300 mA | | | 87 % |
| THN 15-4813WI | | 15 VDC | 1'000 mA | | | 87 % |
| THN 15-4815WI | | 24 VDC | 625 mA | | | 91 % |
| THN 15-4821WI | | +5 VDC | 1'500 mA | -5 VDC | 1'500 mA | 85 % |
| THN 15-4822WI | | +12 VDC | 625 mA | -12 VDC | 625 mA | 86 % |
| THN 15-4823WI | | +15 VDC | 500 mA | -15 VDC | 500 mA | 87 % |
| THN 15-4825WI | | +24 VDC | 315 mA | -24 VDC | 315 mA | 91 % |

| Options | |
|---------|--|
| THN-HS1 | - Optional Heat Sink: www.tracopower.com/products/thn-hs1.pdf |

Note - Suffix -A1: Adjustable output up to 6 VDC, suitable for low ripple & noise applications in conjunction with an LDO regulator.
 - ±24 Vout models: The output can also be used in serial circuit for single 48 VDC operation.

Input Specifications

| | | |
|--------------------------|--------------|---|
| Input Current | - At no load | 24 Vin models: 45 mA typ. 48 Vin models: 20 mA typ. |
| Surge Voltage | | 24 Vin models: 50 VDC max. (100 ms max.) 48 Vin models: 100 VDC max. (100 ms max.) |
| Under Voltage Lockout | | 24 Vin models: 7 VDC min. / 8 VDC typ. / 8.8 VDC max. 48 Vin models: 14.5 VDC min. / 16 VDC typ. / 17.5 VDC max. |
| Reflected Ripple Current | | 24 Vin models: 30 mA_{p-p} typ. 48 Vin models: 30 mA_{p-p} typ. |
| Recommended Input Fuse | | 24 Vin models: 3'150 mA (slow blow) 48 Vin models: 1'600 mA (slow blow) (The need of an external fuse has to be assessed in the final application.) |
| Input Filter | | Internal Pi-Type |

Output Specifications

| | | |
|-------------------------------------|--|--|
| Output Voltage Adjustment | | -10% to +20% (A1 & 24 Vout single models) ±10% (other single models) (By external trim resistor) See application note: www.tracopower.com/overview/thn15wi Output power must not exceed rated power! |
| Voltage Set Accuracy | | ±1% max. |
| Regulation | - Input Variation (Vmin - Vmax) | single output models: 0.2% max. dual output models: 0.5% max. |
| | - Load Variation (0 - 100%) | single output models: 0.2% max. dual output models: 1% max. (Output 1) 1% max. (Output 2) |
| | - Cross Regulation (25% / 100% asym. load) | dual output models: 5% max. |
| Ripple and Noise (20 MHz Bandwidth) | - single output | 3.3 Vout models: 75 mV_{p-p} typ. (w/ 1 μF X7R // 10 μF TC) 5 Vout models: 75 mV_{p-p} typ. (w/ 1 μF X7R // 10 μF TC) 12 Vout models: 100 mV_{p-p} typ. (w/ 1 μF X7R // 10 μF TC) 15 Vout models: 100 mV_{p-p} typ. (w/ 1 μF X7R // 10 μF TC) 24 Vout models: 100 mV_{p-p} typ. (w/ 6.8 μF X7R) |
| | - dual output | 5 / -5 Vout models: 100 / 100 mV_{p-p} typ. (w/ 1 μF X7R // 10 μF TC) 12 / -12 Vout models: 100 / 100 mV_{p-p} typ. (w/ 1 μF X7R // 10 μF TC) 15 / -15 Vout models: 100 / 100 mV_{p-p} typ. (w/ 1 μF X7R // 10 μF TC) 24 / -24 Vout models: 100 / 100 mV_{p-p} typ. (w/ 4.7 μF X7R) |
| Capacitive Load | - single output | 3.3 Vout models: 12'000 μF max. 5 Vout models: 6'000 μF max. 12 Vout models: 1'000 μF max. 15 Vout models: 660 μF max. 24 Vout models: 200 μF max. |
| | - dual output | 5 / -5 Vout models: 3'000 / 3'000 μF max. 12 / -12 Vout models: 520 / 520 μF max. 15 / -15 Vout models: 330 / 330 μF max. 24 / -24 Vout models: 100 / 100 μF max. |
| Minimum Load | | Not required |
| Temperature Coefficient | | ±0.02 %/K max. |
| Start-up Time | | 30 ms max. |
| Short Circuit Protection | | Continuous, Automatic recovery |
| Output Current Limitation | | 135 - 204% of Iout max. 150% typ. of Iout max. |
| Overvoltage Protection | | 112 - 164% of Vout nom. |
| Transient Response | - Response Time | 250 μs typ. (25% Load Step) |

All specifications valid at nominal voltage, full load and +25°C after warm-up time unless otherwise stated.

Safety Specifications

| | | |
|-----------------------|-----------------------------|--|
| Safety Standards | - IT / Multimedia Equipment | EN 60950-1 EN 62368-1 IEC 60950-1 IEC 62368-1 UL 60950-1 UL 62368-1 |
| | - Certification Documents | www.tracopower.com/overview/thn15wi |
| Pollution Degree | | PD 2 |
| Over Voltage Category | | OVC I |

EMC Specifications

| | | |
|---------------|-----------------------------|--|
| EMI Emissions | - Conducted Emissions | EN 55032 class A (with external filter) EN 55032 class B (with external filter) |
| | - Radiated Emissions | EN 55032 class A (with external filter) EN 55032 class B (with external filter) |
| EMS Immunity | - Electrostatic Discharge | Air: EN 61000-4-2, ± 8 kV, perf. criteria A Contact: EN 61000-4-2, ± 6 kV, perf. criteria A |
| | - RF Electromagnetic Field | EN 61000-4-3, 10 V/m, perf. criteria A |
| | - EFT (Burst) / Surge | EN 61000-4-4, ± 2 kV, perf. criteria A EN 61000-4-5, ± 1 kV, perf. criteria A |
| | - Conducted RF Disturbances | Ext. input component: 220 μ F, 100 V EN 61000-4-6, 3 Vrms, perf. criteria A |
| | - PF Magnetic Field | Continuous: EN 61000-4-8, 100 A/m, perf. criteria A 1 s: EN 61000-4-8, 1000 A/m, perf. criteria A |

General Specifications

| | | |
|---------------------------|---------------------------------|--|
| Relative Humidity | | 95% max. (non condensing) |
| Temperature Ranges | - Operating Temperature | -40°C to +85°C -40°C to +90°C (with Heat Sink) |
| | - Case Temperature | +105°C max. |
| | - Storage Temperature | -55°C to +125°C |
| Power Derating | - High Temperature | 2.5 %/K above 60°C 2.9 %/K above 70°C (with Heat Sink) |
| | | Natural convection (20 LFM) |
| Cooling System | | |
| Remote Control | - Voltage Controlled Remote | On: 3.0 to 15 VDC or open circuit Off: 0 to 1.2 VDC or short circuit Refers to 'Remote' and '-Vin' Pin |
| | - Off Idle Input Current | 2.5 mA typ. |
| | - Remote Pin Input Current | -0.5 to 1.0 mA |
| Altitude During Operation | | 5'000 m max. |
| Switching Frequency | | 360 - 440 kHz (PWM) |
| | | 400 kHz typ. (PWM) |
| Insulation System | | Functional Insulation |
| Isolation Test Voltage | - Input to Output, 60 s | 1'500 VDC |
| | - Input to Case, 60 s | 1'000 VDC |
| | - Output to Case, 60 s | 1'000 VDC |
| Isolation Resistance | - Input to Output, 500 VDC | 1'000 M Ω min. |
| Isolation Capacitance | - Input to Output, 100 kHz, 1 V | 1'000 pF max. |
| Reliability | - Calculated MTBF | 1'400'000 h (MIL-HDBK-217F, ground benign) |
| Environment | - Vibration | MIL-STD-810F |
| | - Thermal Shock | MIL-STD-810F |
| Housing Material | | Nickel coated Copper |
| Base Material | | Non-conductive FR4 (UL94 V-0 rated) |
| Potting Material | | Epoxy (UL 94 V-0 rated) |
| Pin Material | | Copper |

All specifications valid at nominal voltage, full load and +25°C after warm-up time unless otherwise stated.

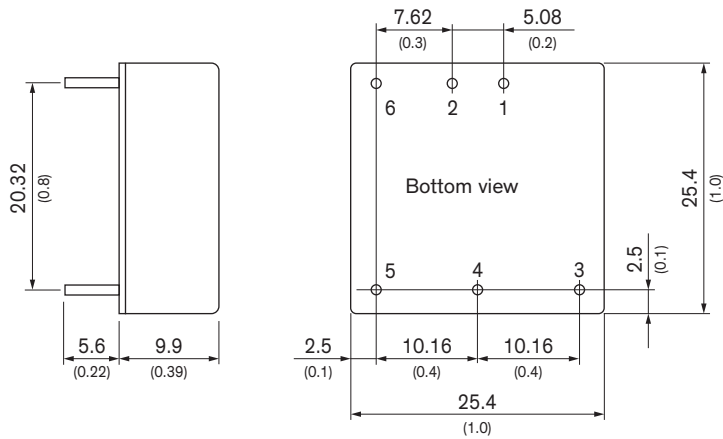
| | |
|--------------------------|--|
| Pin Foundation Plating | Nickel (2 - 3 μm) |
| Pin Surface Plating | Tin (3 - 5 μm), matte |
| Soldering Profile | 265°C / 10 s max. |
| Connection Type | THD (Through-Hole Device) |
| Weight | 15 g |
| Thermal Impedance | 18.2 K/W 15.8 K/W (with Heat Sink) |
| Environmental Compliance | - REACH Declaration www.tracopower.com/info/reach-declaration.pdf REACH SVHC list compliant REACH Annex XVII compliant |
| | - RoHS Declaration www.tracopower.com/info/rohs-declaration.pdf Exemptions: 7a, 7c-1 |

Supporting Documents

Overview Link (for additional Documents)

www.tracopower.com/overview/thn15wi

Outline Dimensions



Dimensions in mm (inch)
Tolerances: ± 0.5 (± 0.02)
Pin pitch tolerances ± 0.25 (± 0.01)
Pin diameter $\varnothing 1.0$ (0.04)

Pinout

| Pin | Single | Dual |
|-----|---------------|---------------|
| 1 | +Vin (Vcc) | +Vin (Vcc) |
| 2 | -Vin (GND) | -Vin (GND) |
| 3 | +Vout | +Vout |
| 4 | Trim | Common |
| 5 | -Vout | -Vout |
| 6 | Remote On/Off | Remote On/Off |