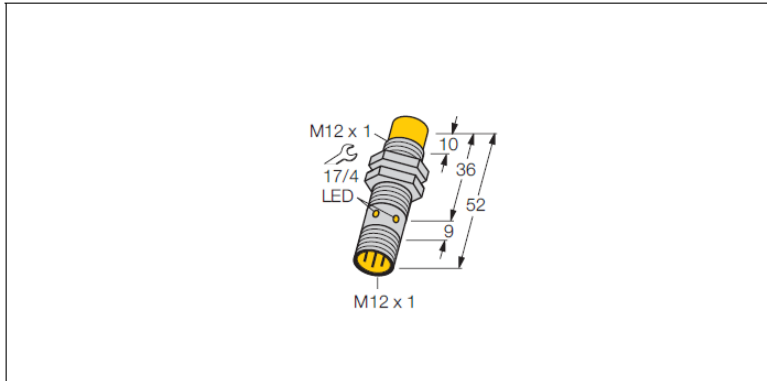


## Inductive sensor

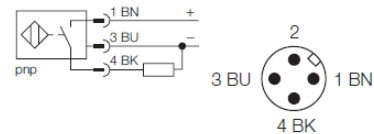
RS  
208257



- threaded barrel, M12 x 1
- stainless steel, 1.4301
- factor 1 for all metals
- degree of protection IP68
- magnetic field immune
- extended temperature range
- high switching frequency
- predamping protection through self-compensation
- 3-wire DC, 10...30 VDC
- normally open, pnp output
- connector, M12 x 1

Ident-No.	1644340
<b>Rated operating distance Sn</b>	8 mm
Mounting condition	non-flush, partial embedding possible
Assured sensing range	≤ (0,81 x Sn) mm
Repeatability	≤ 2 %
Temperature drift	≤ ± 10 %
	≤ ± 20 %, ≤ -25 °C v ≥ +70 °C
Hysteresis	3... 15 %
Ambient temperature	-30...+ 85 °C

### Wiring diagram



<b>Operating voltage</b>	10... 30VDC
Residual ripple	≤ 10 % U <sub>BS</sub>
DC rated operational current	≤ 200 mA
No-load current I <sub>0</sub>	≤ 15 mA
Residual current	≤ 0.1 mA
Rated insulation voltage	≤ 0.5 kV
Short-circuit protection	yes / cyclic
Voltage drop at I <sub>0</sub>	≤ 1.8V
Wire breakage / Reverse polarity protection	yes / complete
Output function	3-wire, normally open, pnp
Insulation class	II
Switching frequency	≤ 2 kHz

### Functional principle

Inductive sensors are designed for wear-free and non-contact detection of metal objects. Due to a ferrite-less 3-coil system, uprox factor 1 sensors have distinct advantages. They detect all metals at the same switching distance, are magnetic field immune and feature large switching distances.

<b>Housing</b>	threaded barrel, M12 x 1
Dimensions	52 mm
Housing material	metal, AISI 304
Material active face	plastic, PBT
Tightening torque of housing nut	10 Nm
Connection	Connectors, M12 x 1
Vibration resistance	55 Hz (1 mm)
Shock resistance	30g (11 ms)
Degree of protection	IP68

<b>Display switch state</b>	LED yellow
-----------------------------	------------