



# STB11NK40Z, STP11NK40ZFP STP11NK40Z

N-channel 400 V, 0.49  $\Omega$ , 9 A, TO-220, TO-220FP, D<sup>2</sup>PAK  
Zener-protected SuperMESH™ Power MOSFET

## Features

| Type         | V <sub>DSS</sub> | R <sub>DS(on)</sub> | I <sub>D</sub> | P <sub>w</sub> |
|--------------|------------------|---------------------|----------------|----------------|
| STB11NK40Z   | 400V             | <0.55 $\Omega$      | 10A            | 110W           |
| STP11NK40Z   | 400V             | <0.55 $\Omega$      | 10A            | 110W           |
| STP11NK40ZFP | 400V             | <0.55 $\Omega$      | 10A            | 30W            |

- Extremely high dv/dt capability
- 100% avalanche tested
- Gate charge minimized
- Very low intrinsic capacitances
- Very good manufacturing repeatability

## Applications

- Switching application

## Description

The SuperMESH™ series is obtained through an extreme optimization of ST's well established strip-based PowerMESH™ layout. In addition to pushing on-resistance significantly down, special care is taken to ensure a very good dv/dt capability for the most demanding applications.

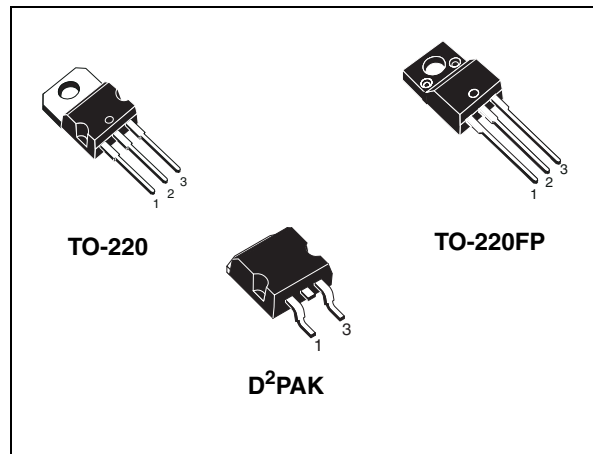


Figure 1. Internal schematic diagram

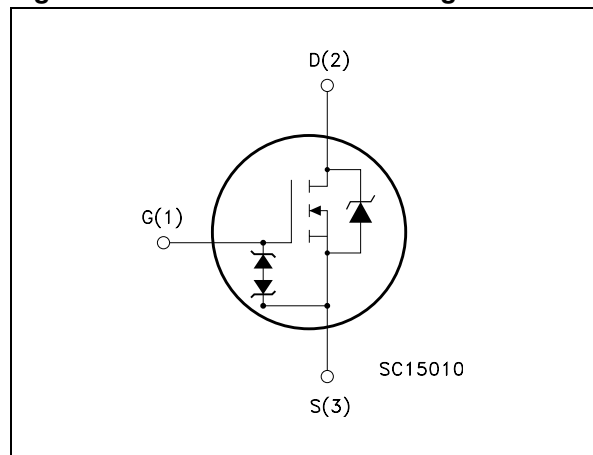


Table 1. Device summary

| Order code   | Marking    | Package            | Packaging     |
|--------------|------------|--------------------|---------------|
| STB11NK40ZT4 | B11NK40Z   | D <sup>2</sup> PAK | Tape and reel |
| STP11NK40Z   | P11NK40Z   | TO-220             | Tube          |
| STP11NK40ZFP | P11NK40ZFP | TO-220FP           | Tube          |

# Contents

|          |   |           |
|----------|---|-----------|
| <b>1</b> | <b>Electrical ratings</b> .....           | <b>3</b>  |
| <b>2</b> | <b>Electrical characteristics</b> .....   | <b>5</b>  |
| 2.1      | Electrical characteristics (curves) ..... | 7         |
| <b>3</b> | <b>Test circuits</b> .....                | <b>10</b> |
| <b>4</b> | <b>Package mechanical data</b> .....      | <b>11</b> |
| <b>5</b> | <b>Packaging mechanical data</b> .....    | <b>15</b> |
| <b>6</b> | <b>Revision history</b> .....             | <b>16</b> |

# 1 Electrical ratings

**Table 2. Absolute maximum ratings**

| Symbol                             | Parameter   | Value                     |                     | Unit |
|------------------------------------|---|---------------------------|---------------------|------|
|                                    |   | TO-220/D <sup>2</sup> PAK | TO-220FP            |      |
| V <sub>DS</sub>                    | Drain-source voltage (V <sub>GS</sub> = 0)            | 400                       |                     | V    |
| V <sub>DGR</sub>                   | Drain-gate voltage (R <sub>GS</sub> = 20kΩ)           | 400                       |                     | V    |
| V <sub>GS</sub>                    | Gate-source voltage                                   | ± 30                      |                     | V    |
| I <sub>D</sub>                     | Drain current (continuous) at T <sub>C</sub> = 25°C   | 9                         | 9 <sup>(1)</sup>    | A    |
| I <sub>D</sub>                     | Drain current (continuous) at T <sub>C</sub> =100°C   | 5.67                      | 5.67 <sup>(1)</sup> | A    |
| I <sub>DM</sub> <sup>(2)</sup>     | Drain current (pulsed)                                | 36                        | 36 <sup>(1)</sup>   | A    |
| P <sub>TOT</sub>                   | Total dissipation at T <sub>C</sub> = 25°C            | 110                       | 30                  | W    |
|                                    | Derating factor                                       | 0.88                      | 0.24                | W/°C |
| V <sub>ESD(G-S)</sub>              | Gate source ESD (HBM-C= 100pF, R= 1.5kΩ)              | 3500                      |                     | V    |
| dv/dt <sup>(3)</sup>               | Peak diode recovery voltage slope                     | 4.5                       |                     | V/ns |
| V <sub>ISO</sub>                   | Insulation withstand voltage (DC)                     | --                        | 2500                | V    |
| T <sub>J</sub><br>T <sub>stg</sub> | Operating junction temperature<br>Storage temperature | -55 to 150                |                     | °C   |

- Limited only by maximum temperature allowed
- Pulse width limited by safe operating area
- I<sub>SD</sub> ≤ 9A, di/dt ≤ 200 A/μs, V<sub>DD</sub> ≤ V<sub>(BR)DSS</sub>, T<sub>J</sub> ≤ T<sub>JMAX</sub>.

**Table 3. Thermal data**

| Symbol                | Parameter                                      | Value                     |          | Unit |
|-----------------------|--|---------------------------|----------|------|
|                       |  | TO-220/D <sup>2</sup> PAK | TO-220FP |      |
| R <sub>thj-case</sub> | Thermal resistance junction-case max           | 1.14                      | 4.2      | °C/W |
| R <sub>thj-a</sub>    | Thermal resistance junction-ambient max        | 62.5                      |          | °C/W |
| T <sub>l</sub>        | Maximum lead temperature for soldering purpose | 300                       |          | °C   |

**Table 4. Avalanche characteristics**

| Symbol   | Parameter   | Value | Unit |
|----------|---|-------|------|
| $I_{AR}$ | Avalanche current, repetitive or not-repetitive (pulse width limited by $T_j$ max)                      | 9     | A    |
| $E_{AS}$ | Single pulse avalanche energy (starting $T_j=25^{\circ}\text{C}$ , $I_d=I_{AR}$ , $V_{DD}=50\text{V}$ ) | 190   | mJ   |

## 2 Electrical characteristics

( $T_{CASE}=25^{\circ}C$  unless otherwise specified)

**Table 5. On/off states**

| Symbol        | Parameter  | Test conditions  | Min. | Typ. | Max.     | Unit               |
|---------------|--|--|------|------|----------|--------------------|
| $V_{(BR)DSS}$ | Drain-source breakdown voltage                   | $I_D = 1mA, V_{GS} = 0$  | 400  |      |          | V                  |
| $I_{DSS}$     | Zero gate voltage drain current ( $V_{GS} = 0$ ) | $V_{DS} = \text{Max rating},$<br>$V_{DS} = \text{Max rating} @ 125^{\circ}C$ |      |      | 1<br>50  | $\mu A$<br>$\mu A$ |
| $I_{GSS}$     | Gate body leakage current ( $V_{DS} = 0$ )       | $V_{GS} = \pm 20V, V_{DS} = 0$   |      |      | $\pm 10$ | $\mu A$            |
| $V_{GS(th)}$  | Gate threshold voltage                           | $V_{DS} = V_{GS}, I_D = 100\mu A$  | 3    | 3.75 | 4.5      | V                  |
| $R_{DS(on)}$  | Static drain-source on resistance                | $V_{GS} = 10V, I_D = 4.5A$   |      | 0.49 | 0.55     | $\Omega$           |

**Table 6. Dynamic**

| Symbol                     | Parameter                     | Test conditions                               | Min. | Typ. | Max. | Unit    |
|----------------------------|-------------------------------|---|------|------|------|---------|
| $g_{fs}^{(1)}$             | Forward transconductance      | $V_{DS} = 15V, I_D = 4.5A$                    | -    | 5.8  | -    | S       |
| $C_{iss}$                  | Input capacitance             | $V_{DS} = 25V, f = 1 \text{ MHz}, V_{GS} = 0$ | -    | 930  | -    | $\mu F$ |
| $C_{oss}$                  | Output capacitance            |   |      | 140  |      |         |
| $C_{rss}$                  | Reverse transfer capacitance  |   |      | 30   |      |         |
| $C_{oss \text{ eq}}^{(2)}$ | Equivalent output capacitance | $V_{GS} = 0, V_{DS} = 0V \text{ to } 320V$    | -    | 78   | -    | $\mu F$ |
| $Q_g$                      | Total gate charge             | $V_{DD} = 320V, I_D = 9A$                     | -    | 32   | -    | nC      |
| $Q_{gs}$                   | Gate-source charge            | $V_{GS} = 10V$                                |      | 6    |      |         |
| $Q_{gd}$                   | Gate-drain charge             | (see Figure 18)                               |      | 18.5 |      |         |

1. Pulsed: pulse duration=300 $\mu s$ , duty cycle 1.5%

2.  $C_{oss \text{ eq}}$  is defined as a constant equivalent capacitance giving the same charging time as  $C_{oss}$  when  $V_{DS}$  increases from 0 to 80%  $V_{DSS}$

**Table 7. Switching times**

| Symbol                          | Parameter   | Test conditions   | Min. | Typ.           | Max. | Unit           |
|---------------------------------|---|---|------|----------------|------|----------------|
| $t_{d(on)}$<br>$t_r$            | Turn-on delay time<br>Rise time                       | $V_{DD}=200\text{ V}$ , $I_D=4.5\text{ A}$ ,<br>$R_G=4.7\Omega$ , $V_{GS}=10\text{ V}$<br>(see Figure 20) | -    | 20<br>20       | -    | ns<br>ns       |
| $t_{d(off)}$<br>$t_f$           | Turn-off delay time<br>Fall time                      | $V_{DD}=200\text{ V}$ , $I_D=4.5\text{ A}$ ,<br>$R_G=4.7\Omega$ , $V_{GS}=10\text{ V}$<br>(see Figure 20) | -    | 40<br>18       | -    | ns<br>ns       |
| $t_{r(Voff)}$<br>$t_f$<br>$t_c$ | Off-voltage rise time<br>Fall time<br>Cross-over time | $V_{DD}=320\text{ V}$ , $I_D=9\text{ A}$ ,<br>$R_G=4.7\Omega$ , $V_{GS}=10\text{ V}$<br>(see Figure 20)   | -    | 15<br>17<br>30 | -    | ns<br>ns<br>ns |

**Table 8. Source drain diode**

| Symbol                            | Parameter  | Test conditions   | Min. | Typ.             | Max. | Unit                     |
|-----------------------------------|--|---|------|------------------|------|--------------------------|
| $I_{SD}$                          | Source-drain current   |   | -    |                  | 9    | A                        |
| $I_{SDM}^{(1)}$                   | Source-drain current (pulsed)  |   | -    |                  | 36   | A                        |
| $V_{SD}^{(2)}$                    | Forward on voltage   | $I_{SD}=9\text{ A}$ , $V_{GS}=0$  | -    |                  | 1.6  | V                        |
| $t_{rr}$<br>$Q_{rr}$<br>$I_{RRM}$ | Reverse recovery time<br>Reverse recovery charge<br>Reverse recovery current | $I_{SD}=9\text{ A}$ ,<br>$di/dt = 100\text{ A}/\mu\text{s}$ ,<br>$V_{DD}=45\text{ V}$ , $T_J=150^\circ\text{C}$ | -    | 225<br>1.6<br>14 |      | ns<br>$\mu\text{C}$<br>A |

1. Pulse width limited by safe operating area

2. Pulsed: pulse duration=300  $\mu\text{s}$ , duty cycle 1.5 %

**Table 9. Gate-source zener diode**

| Symbol     | Parameter                     | Test conditions                       | Min. | Typ. | Max. | Unit |
|------------|-------------------------------|---------------------------------------|------|------|------|------|
| $BV_{GSO}$ | Gate-source breakdown voltage | $I_{GS}=\pm 1\text{ mA}$ (open drain) | 30   | -    | -    | V    |

The built-in back-to-back Zener diodes have specifically been designed to enhance not only the device's ESD capability, but also to make them safely absorb possible voltage transients that may occasionally be applied from gate to source. In this respect the Zener voltage is appropriate to achieve an efficient and cost-effective intervention to protect the device's integrity. These integrated Zener diodes thus avoid the usage of external components.

## 2.1 Electrical characteristics (curves)

Figure 2. Safe operating area for TO-220 D<sup>2</sup>PAK

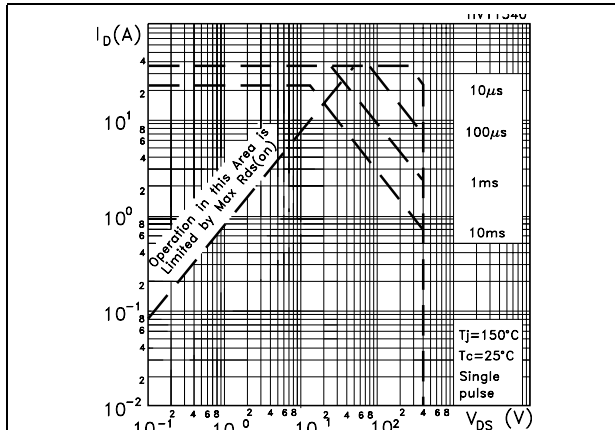


Figure 3. Thermal impedance for TO-220 D<sup>2</sup>PAK

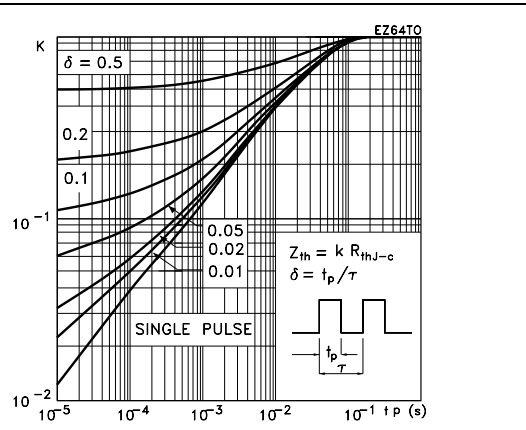


Figure 4. Safe operating area for TO-220FP

Figure 5. Thermal impedance for TO-220FP

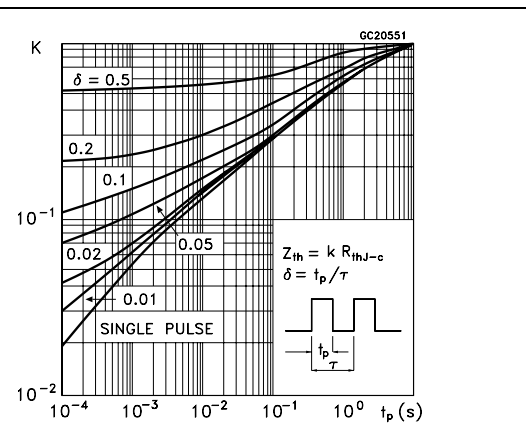
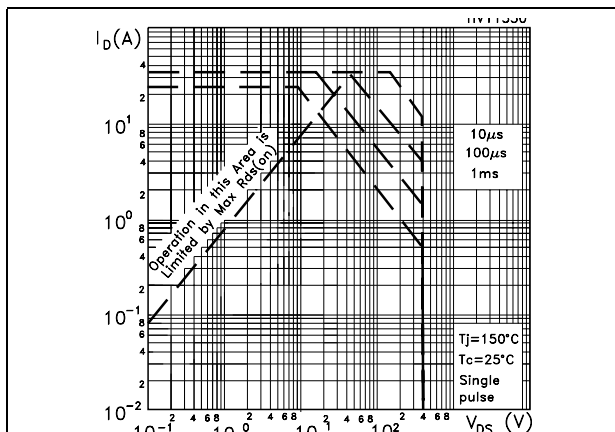


Figure 6. Output characteristics

Figure 7. Transfer characteristics

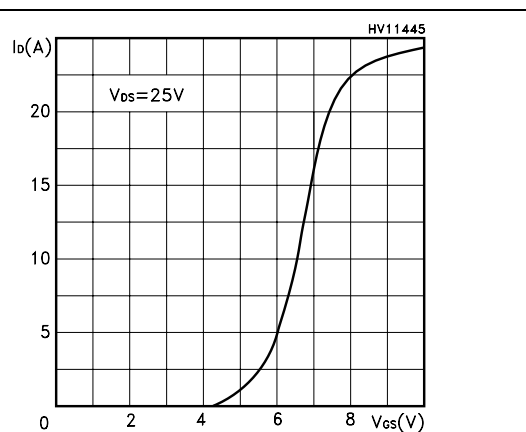
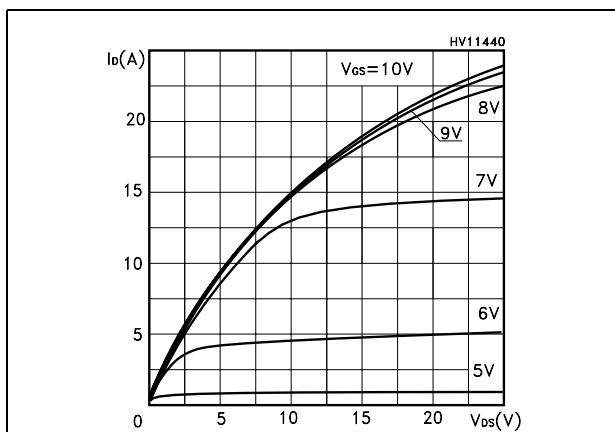


Figure 8. Transconductance

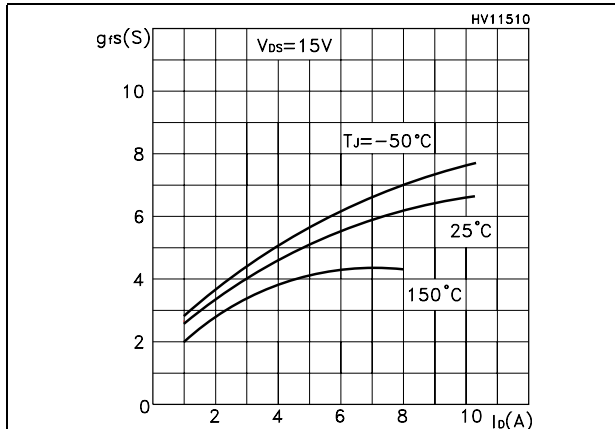


Figure 9. Static drain-source on resistance

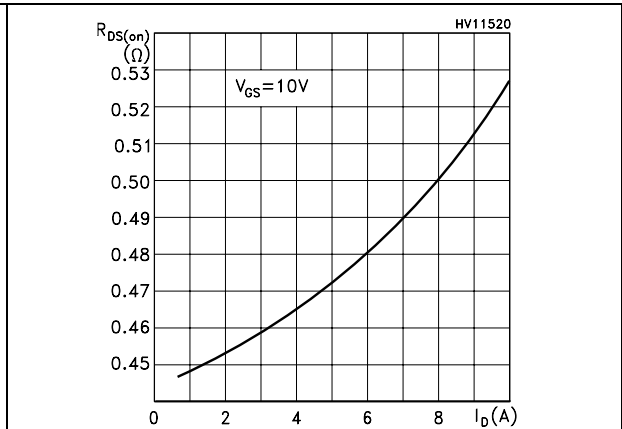


Figure 10. Gate charge vs gate-source voltage Figure 11. Capacitance variations

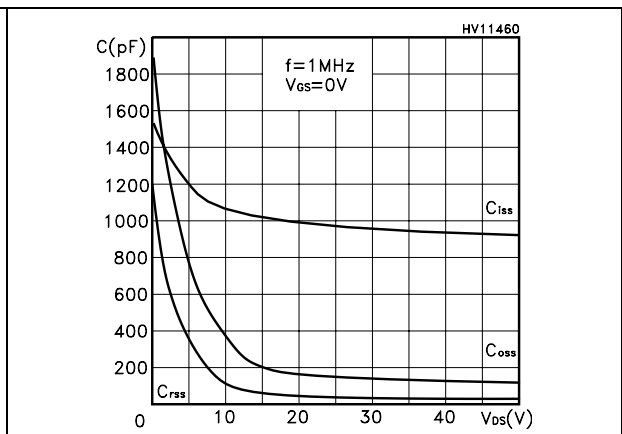
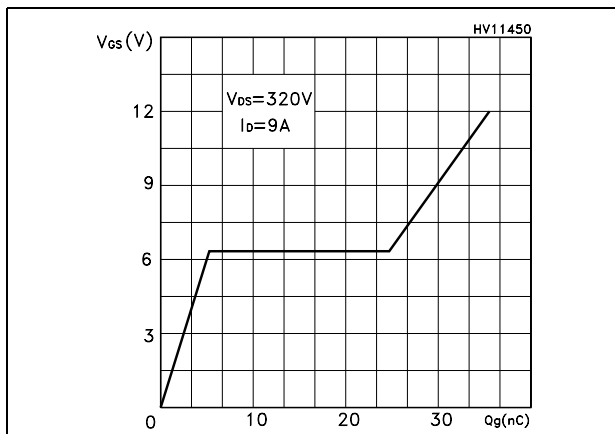


Figure 12. Normalized gate threshold voltage vs temperature

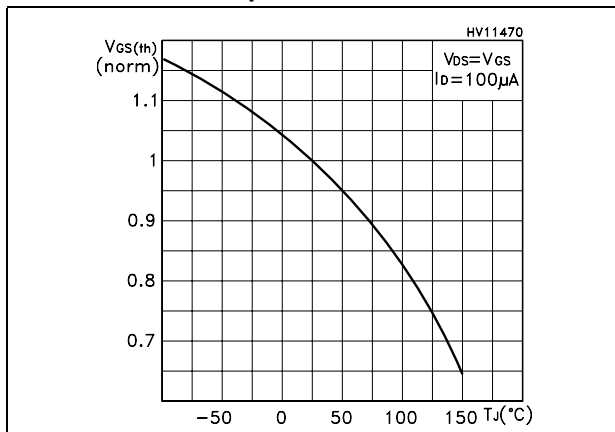


Figure 13. Normalized on resistance vs temperature

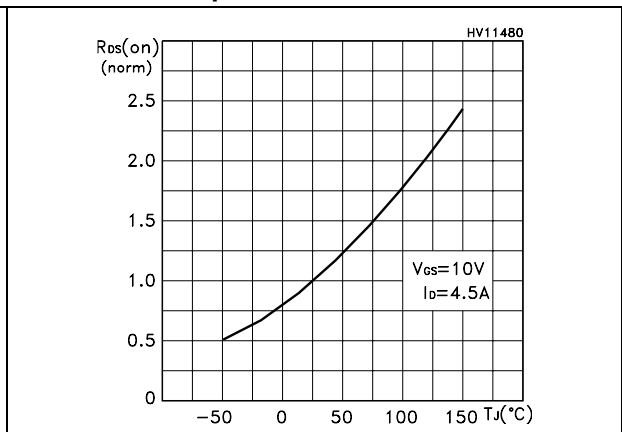




Figure 14. Source-drain diode forward characteristics

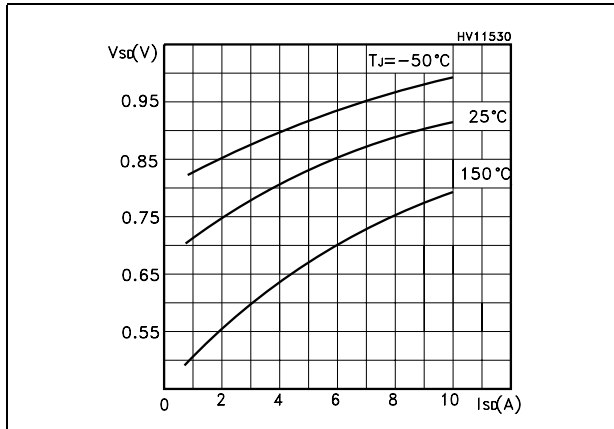


Figure 15. Normalized  $B_{VDSS}$  vs temperature

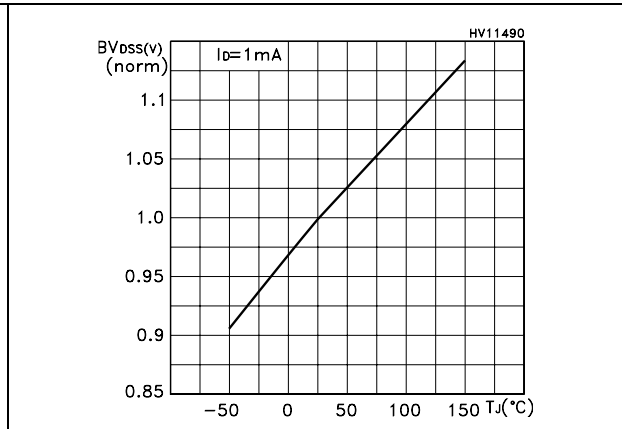
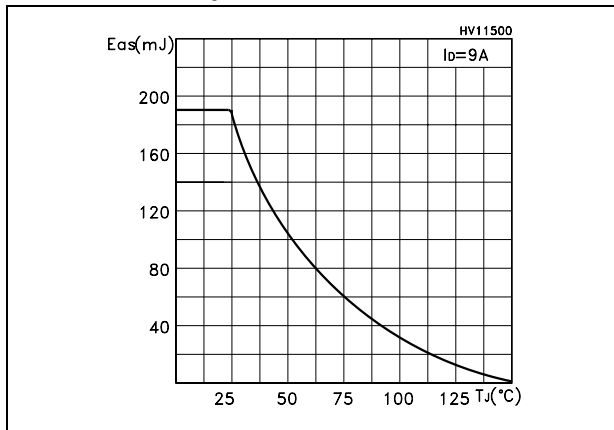


Figure 16. Maximum avalanche energy vs temperature



### 3 Test circuits

Figure 17. Switching times test circuit for resistive load

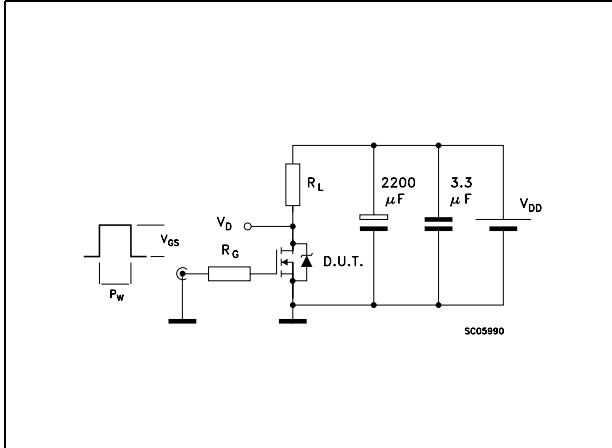


Figure 18. Gate charge test circuit

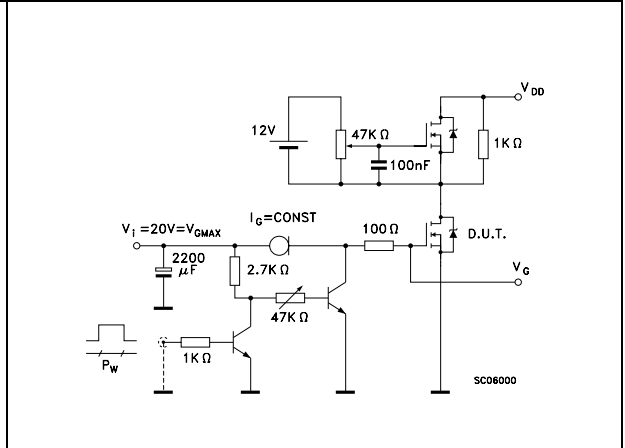


Figure 19. Test circuit for inductive load switching and diode recovery times

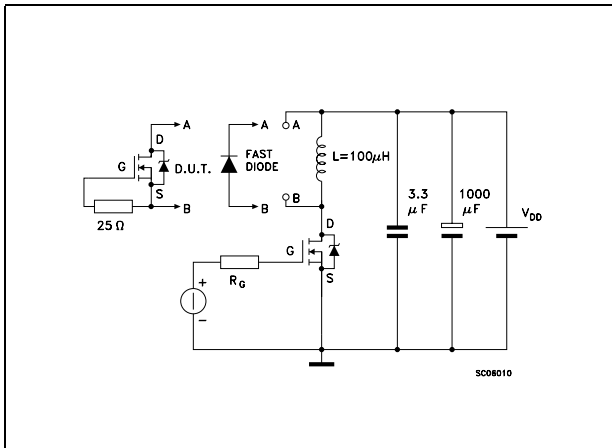


Figure 20. Unclamped inductive load test circuit

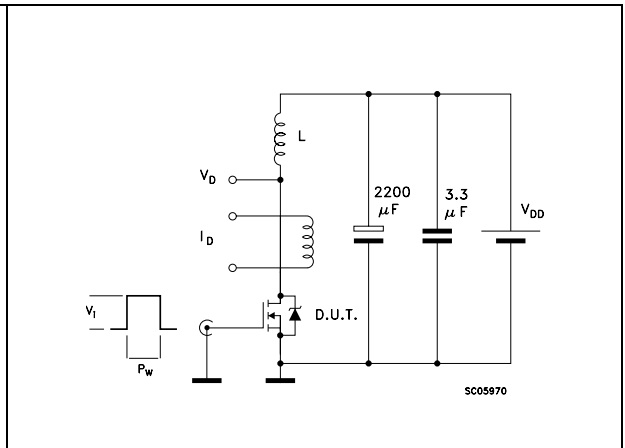


Figure 21. Unclamped inductive waveform

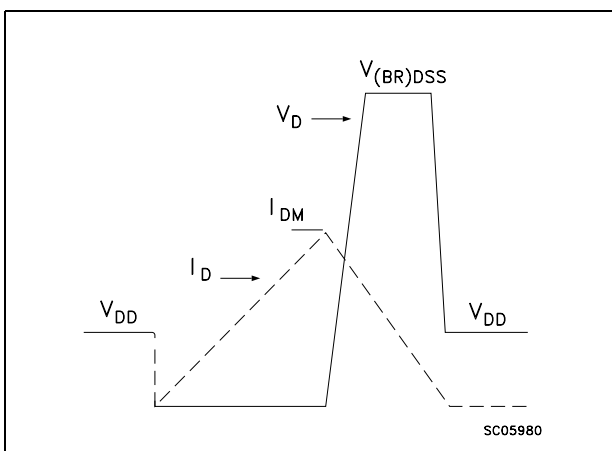
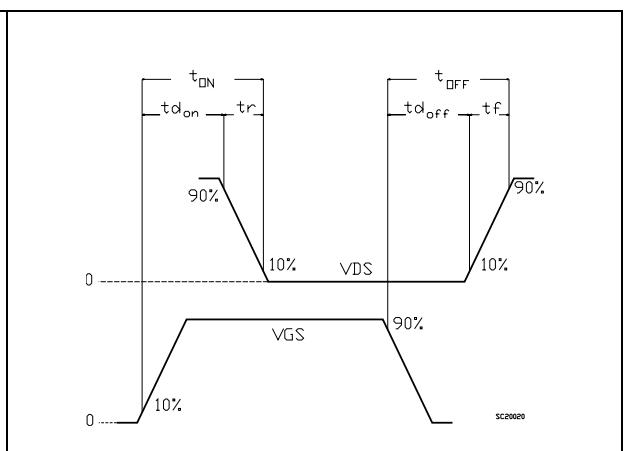


Figure 22. Switching time waveform

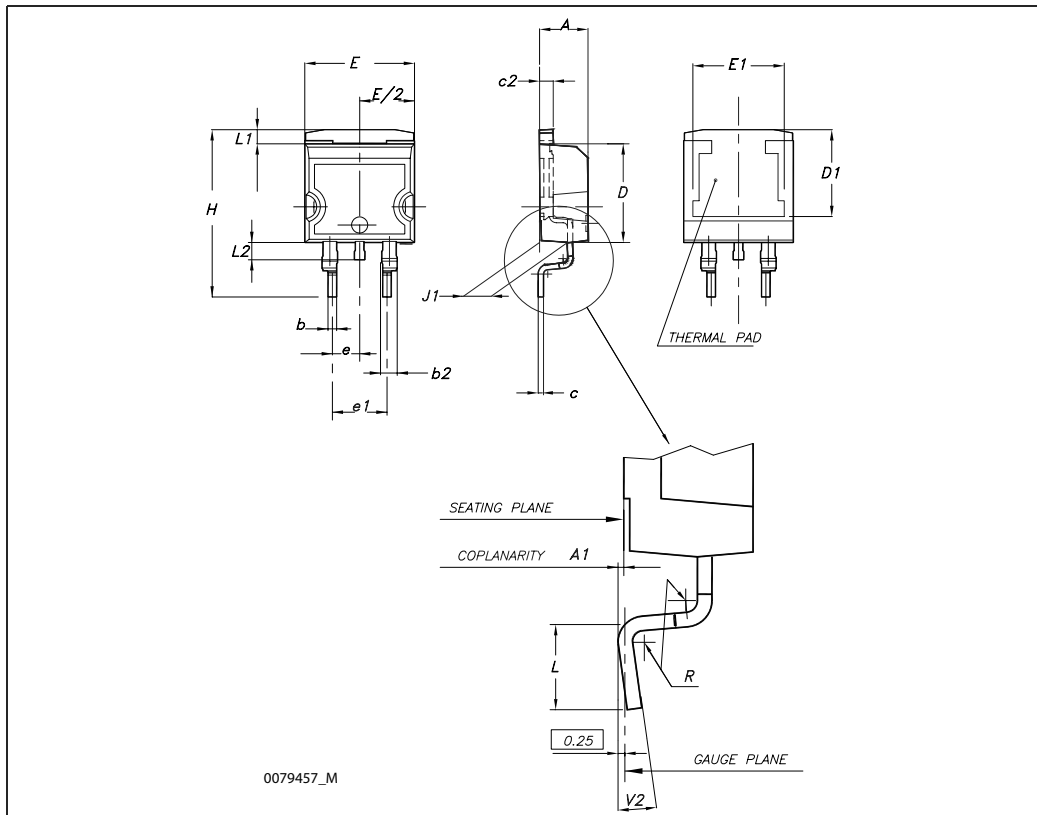


## 4 Package mechanical data

In order to meet environmental requirements, ST offers these devices in different grades of ECOPACK® packages, depending on their level of environmental compliance. ECOPACK® specifications, grade definitions and product status are available at: [www.st.com](http://www.st.com). ECOPACK is an ST trademark.

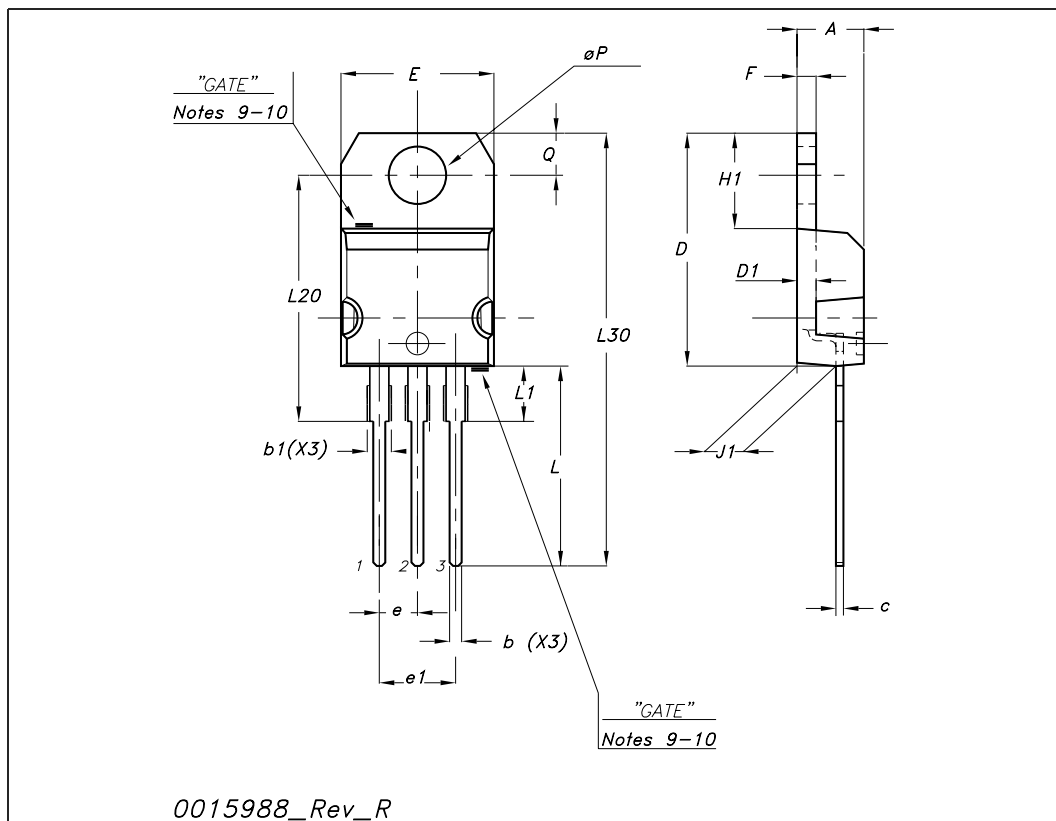
D<sup>2</sup>PAK (TO-263) mechanical data

| Dim | mm   |      |       | inch  |       |       |
|-----|------|------|-------|-------|-------|-------|
|     | Min  | Typ  | Max   | Min   | Typ   | Max   |
| A   | 4.40 |      | 4.60  | 0.173 |       | 0.181 |
| A1  | 0.03 |      | 0.23  | 0.001 |       | 0.009 |
| b   | 0.70 |      | 0.93  | 0.027 |       | 0.037 |
| b2  | 1.14 |      | 1.70  | 0.045 |       | 0.067 |
| c   | 0.45 |      | 0.60  | 0.017 |       | 0.024 |
| c2  | 1.23 |      | 1.36  | 0.048 |       | 0.053 |
| D   | 8.95 |      | 9.35  | 0.352 |       | 0.368 |
| D1  | 7.50 |      |       | 0.295 |       |       |
| E   | 10   |      | 10.40 | 0.394 |       | 0.409 |
| E1  | 8.50 |      |       | 0.334 |       |       |
| e   |      | 2.54 |       |       | 0.1   |       |
| e1  | 4.88 |      | 5.28  | 0.192 |       | 0.208 |
| H   | 15   |      | 15.85 | 0.590 |       | 0.624 |
| J1  | 2.49 |      | 2.69  | 0.099 |       | 0.106 |
| L   | 2.29 |      | 2.79  | 0.090 |       | 0.110 |
| L1  | 1.27 |      | 1.40  | 0.05  |       | 0.055 |
| L2  | 1.30 |      | 1.75  | 0.051 |       | 0.069 |
| R   |      | 0.4  |       |       | 0.016 |       |
| V2  | 0°   |      | 8°    | 0°    |       | 8°    |



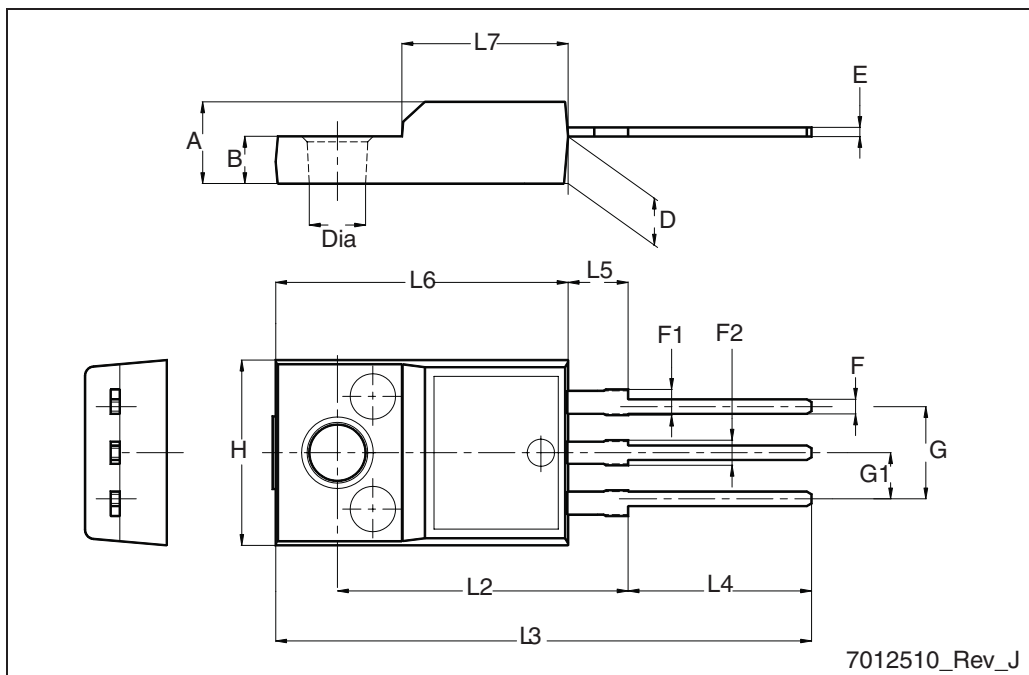
TO-220 mechanical data

| Dim | mm    |       |       | inch  |       |       |
|-----|-------|-------|-------|-------|-------|-------|
|     | Min   | Typ   | Max   | Min   | Typ   | Max   |
| A   | 4.40  |       | 4.60  | 0.173 |       | 0.181 |
| b   | 0.61  |       | 0.88  | 0.024 |       | 0.034 |
| b1  | 1.14  |       | 1.70  | 0.044 |       | 0.066 |
| c   | 0.48  |       | 0.70  | 0.019 |       | 0.027 |
| D   | 15.25 |       | 15.75 | 0.6   |       | 0.62  |
| D1  |       | 1.27  |       |       | 0.050 |       |
| E   | 10    |       | 10.40 | 0.393 |       | 0.409 |
| e   | 2.40  |       | 2.70  | 0.094 |       | 0.106 |
| e1  | 4.95  |       | 5.15  | 0.194 |       | 0.202 |
| F   | 1.23  |       | 1.32  | 0.048 |       | 0.051 |
| H1  | 6.20  |       | 6.60  | 0.244 |       | 0.256 |
| J1  | 2.40  |       | 2.72  | 0.094 |       | 0.107 |
| L   | 13    |       | 14    | 0.511 |       | 0.551 |
| L1  | 3.50  |       | 3.93  | 0.137 |       | 0.154 |
| L20 |       | 16.40 |       |       | 0.645 |       |
| L30 |       | 28.90 |       |       | 1.137 |       |
| ∅P  | 3.75  |       | 3.85  | 0.147 |       | 0.151 |
| Q   | 2.65  |       | 2.95  | 0.104 |       | 0.116 |



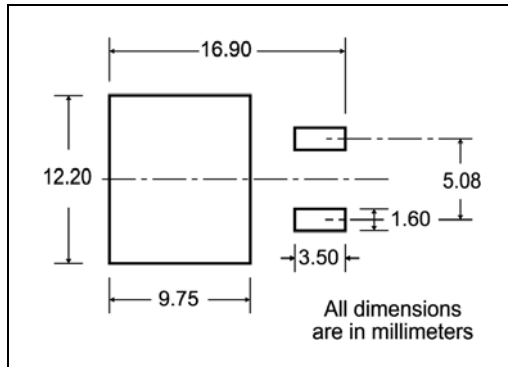
TO-220FP mechanical data

| Dim. | mm   |      |      |
|------|------|------|------|
|      | Min. | Typ. | Max. |
| A    | 4.4  |      | 4.6  |
| B    | 2.5  |      | 2.7  |
| D    | 2.5  |      | 2.75 |
| E    | 0.45 |      | 0.7  |
| F    | 0.75 |      | 1    |
| F1   | 1.15 |      | 1.70 |
| F2   | 1.15 |      | 1.5  |
| G    | 4.95 |      | 5.2  |
| G1   | 2.4  |      | 2.7  |
| H    | 10   |      | 10.4 |
| L2   |      | 16   |      |
| L3   | 28.6 |      | 30.6 |
| L4   | 9.8  |      | 10.6 |
| L5   | 2.9  |      | 3.6  |
| L6   | 15.9 |      | 16.4 |
| L7   | 9    |      | 9.3  |
| Dia  | 3    |      | 3.2  |



# 5 Packaging mechanical data

## D<sup>2</sup>PAK FOOTPRINT



## TAPE AND REEL SHIPMENT

**TAPE MECHANICAL DATA**

| DIM. | mm   |      | inch   |        |
|------|------|------|--------|--------|
|      | MIN. | MAX. | MIN.   | MAX.   |
| A0   | 10.5 | 10.7 | 0.413  | 0.421  |
| B0   | 15.7 | 15.9 | 0.618  | 0.626  |
| D    | 1.5  | 1.6  | 0.059  | 0.063  |
| D1   | 1.59 | 1.61 | 0.062  | 0.063  |
| E    | 1.65 | 1.85 | 0.065  | 0.073  |
| F    | 11.4 | 11.6 | 0.449  | 0.456  |
| K0   | 4.8  | 5.0  | 0.189  | 0.197  |
| P0   | 3.9  | 4.1  | 0.153  | 0.161  |
| P1   | 11.9 | 12.1 | 0.468  | 0.476  |
| P2   | 1.9  | 2.1  | 0.075  | 0.082  |
| R    | 50   |      | 1.574  |        |
| T    | 0.25 | 0.35 | 0.0098 | 0.0137 |
| W    | 23.7 | 24.3 | 0.933  | 0.956  |

**REEL MECHANICAL DATA**

| DIM. | mm   |      | inch  |        |
|------|------|------|-------|--------|
|      | MIN. | MAX. | MIN.  | MAX.   |
| A    |      | 330  |       | 12.992 |
| B    | 1.5  |      | 0.059 |        |
| C    | 12.8 | 13.2 | 0.504 | 0.520  |
| D    | 20.2 |      | 0.795 |        |
| G    | 24.4 | 26.4 | 0.960 | 1.039  |
| N    | 100  |      | 3.937 |        |
| T    |      | 30.4 |       | 1.197  |

| BASE QTY | BULK QTY |
|----------|----------|
| 1000     | 1000     |

\* on sales type

## 6 Revision history

**Table 10. Document revision history**

| Date        | Revision | Changes   |
|-------------|----------|---|
| 23-Aug-2005 | 2        | Preliminary version                                       |
| 28-Oct-2005 | 3        | Complete version  |
| 26-Jul-2006 | 4        | New template, no content change                           |
| 22-Nov-2006 | 5        | Corrected unit on <a href="#">Table 5.: On/off states</a> |
| 18-Jan-2007 | 6        | Typo mistakes on page 1                                   |
| 20-Apr-2009 | 7        | Updated mechanical data                                   |



**Please Read Carefully:**

Information in this document is provided solely in connection with ST products. STMicroelectronics NV and its subsidiaries ("ST") reserve the right to make changes, corrections, modifications or improvements, to this document, and the products and services described herein at any time, without notice.

All ST products are sold pursuant to ST's terms and conditions of sale.

Purchasers are solely responsible for the choice, selection and use of the ST products and services described herein, and ST assumes no liability whatsoever relating to the choice, selection or use of the ST products and services described herein.

No license, express or implied, by estoppel or otherwise, to any intellectual property rights is granted under this document. If any part of this document refers to any third party products or services it shall not be deemed a license grant by ST for the use of such third party products or services, or any intellectual property contained therein or considered as a warranty covering the use in any manner whatsoever of such third party products or services or any intellectual property contained therein.

**UNLESS OTHERWISE SET FORTH IN ST'S TERMS AND CONDITIONS OF SALE ST DISCLAIMS ANY EXPRESS OR IMPLIED WARRANTY WITH RESPECT TO THE USE AND/OR SALE OF ST PRODUCTS INCLUDING WITHOUT LIMITATION IMPLIED WARRANTIES OF MERCHANTABILITY, FITNESS FOR A PARTICULAR PURPOSE (AND THEIR EQUIVALENTS UNDER THE LAWS OF ANY JURISDICTION), OR INFRINGEMENT OF ANY PATENT, COPYRIGHT OR OTHER INTELLECTUAL PROPERTY RIGHT.**

**UNLESS EXPRESSLY APPROVED IN WRITING BY AN AUTHORIZED ST REPRESENTATIVE, ST PRODUCTS ARE NOT RECOMMENDED, AUTHORIZED OR WARRANTED FOR USE IN MILITARY, AIR CRAFT, SPACE, LIFE SAVING, OR LIFE SUSTAINING APPLICATIONS, NOR IN PRODUCTS OR SYSTEMS WHERE FAILURE OR MALFUNCTION MAY RESULT IN PERSONAL INJURY, DEATH, OR SEVERE PROPERTY OR ENVIRONMENTAL DAMAGE. ST PRODUCTS WHICH ARE NOT SPECIFIED AS "AUTOMOTIVE GRADE" MAY ONLY BE USED IN AUTOMOTIVE APPLICATIONS AT USER'S OWN RISK.**

Resale of ST products with provisions different from the statements and/or technical features set forth in this document shall immediately void any warranty granted by ST for the ST product or service described herein and shall not create or extend in any manner whatsoever, any liability of ST.

ST and the ST logo are trademarks or registered trademarks of ST in various countries.

Information in this document supersedes and replaces all information previously supplied.

The ST logo is a registered trademark of STMicroelectronics. All other names are the property of their respective owners.

© 2009 STMicroelectronics - All rights reserved

STMicroelectronics group of companies

Australia - Belgium - Brazil - Canada - China - Czech Republic - Finland - France - Germany - Hong Kong - India - Israel - Italy - Japan - Malaysia - Malta - Morocco - Philippines - Singapore - Spain - Sweden - Switzerland - United Kingdom - United States of America

[www.st.com](http://www.st.com)