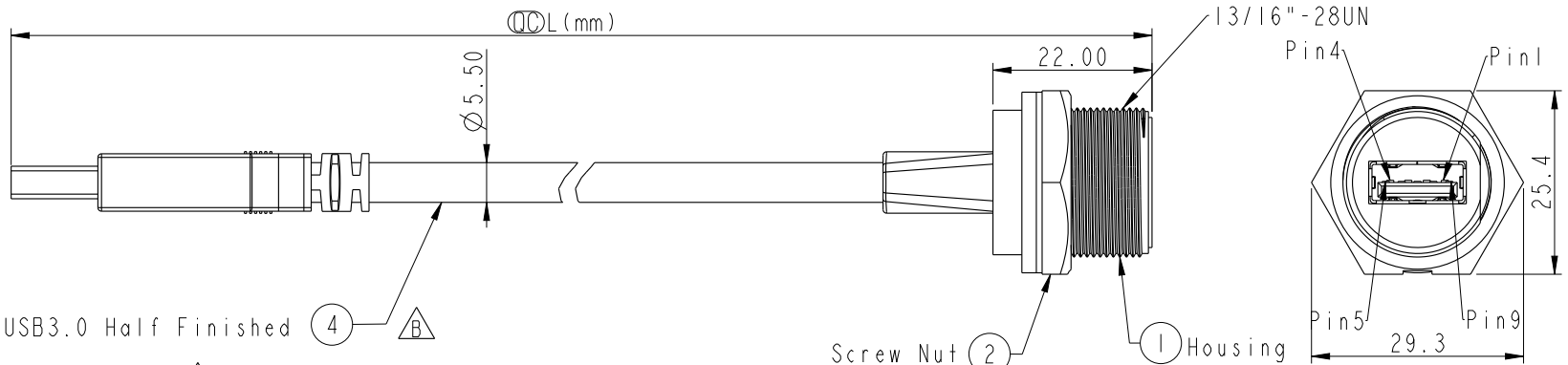


ALTW
CONFIDENTIAL
 2013-11-25
R&D DEPT.

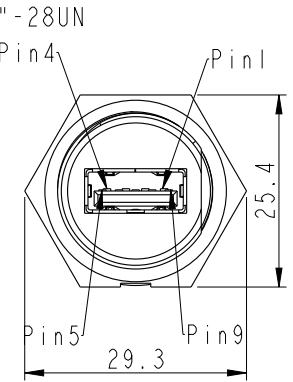
REV.	ECN NO.	DATE	SIGN	DESCRIPTION
B	LE313C0042	2013-11-25	Tom_gu	Change Tolerance And Length



Conn.2

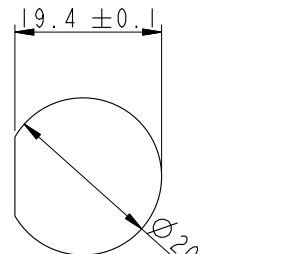


USB3.0 Half Finished

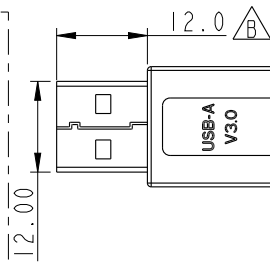


Conn.1

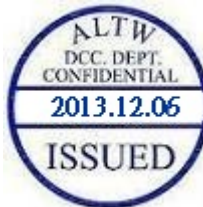
Waterproof Rate: IP67



Recommended Panel Cut-Out



USB-A V3.0

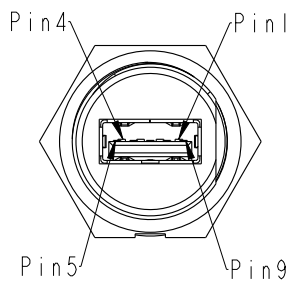


With Liquid Glue

UA-30PMF-SD7BXX

△ XX	: 150~300mm
15	: 150mm
20	: 200mm
30	: 300mm

Cable Length(L): 150~300mm



Pin Assignments Front View

Shield	Braid	編織	Shield	
9	Orange	28AWG	橙	Twist
8	Purple	28AWG	紫	
7	Drain	28AWG	地線	Twist
6	Yellow	28AWG	黃	
5	Blue	28AWG	藍	Twist
	Drain	28AWG	地線	
4	Black	28AWG	黑	Twist
3	Green	28AWG	綠	
2	White	28AWG	白	Twist
1	Red	28AWG	紅	
Conn.1	Wire Color		Conn.2	
	Pin Out			

- Note:
- * (Circled L) Important Dimension.
 - * Housing: ABS, Black
 - * Screw Nut: Nylon+GF, Black
 - * Gasket: Silicone, Gray
 - * Jack: USB3.0-A Female Solder
 - * Cable: USB 3.0, (1P*28#+D+Al/My)*2+1P*28#+2C*28#+F+Al+B, PVC Jacket, UV Resistant, OD=5.5mm, Black
 - * Cable Length Tolerance: 150~300mm: ±15mm
 - * Use with waterproof cap or dust cap
Panel Thickness max: 2.8mm
 - * Use without waterproof cap or dust cap
Panel Thickness max: 4.0mm
 - * All of Drain twisted together.

UNIT:mm

TOLERANCE
 .X ±0.25
 .XX ±0.1
 .XXX ±0.05
 ANGLES ±1°

TITLE: USB3.0 Male A Type

SCALE: 1:1 SIZE: A4 SHEET: 1 OF 1

REV. B WC-REV. A.1 (Circled L): Inspection item

Amphenol LTW
 安費諾亮泰企業股份有限公司

ITEM NO.	DRAWN BY	DATE
	Tom_gu	2013-11-25
DWG NO.	CHECKED BY	DATE
UA-30PMF-SD7BXX	Mafei	2013-11-25
CUSTOMER	APPROVED BY	DATE
ALTW	Victor	2013-11-25

THIS DOCUMENT IS SUBJECT TO CHANGE WITHOUT NOTICE. IT IS CONFIDENTIAL AND A PROPERTY OF AMPHENOL LTW. DISCLOSURE TO THIRD PARTY HAS TO BE AUTHORIZED BY AMPHENOL LTW.