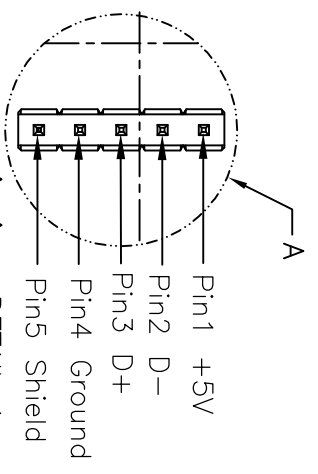
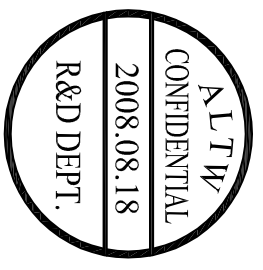
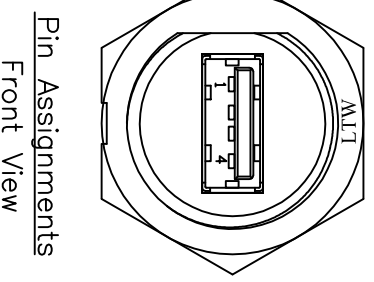
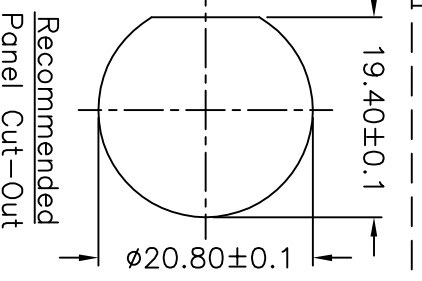
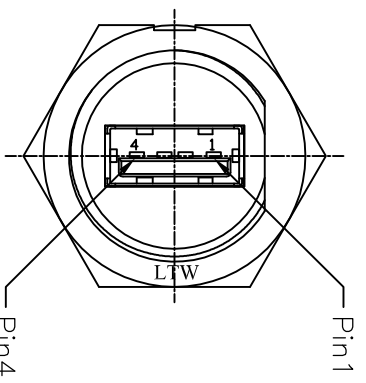
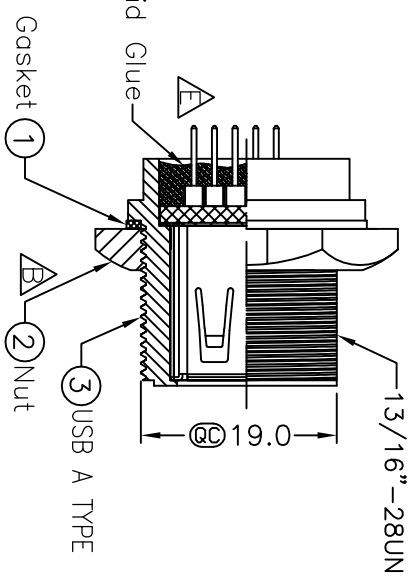
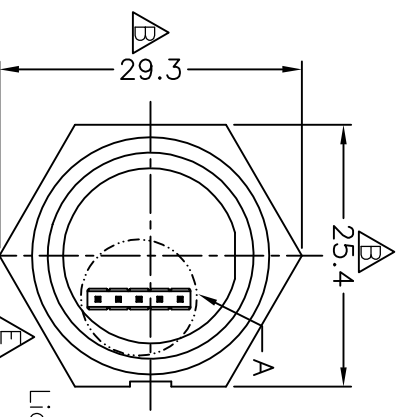
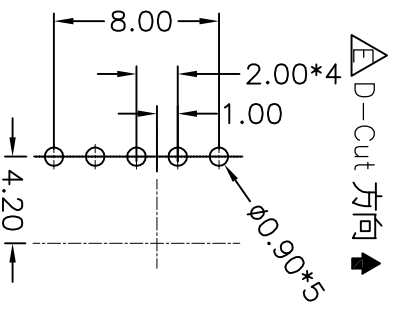
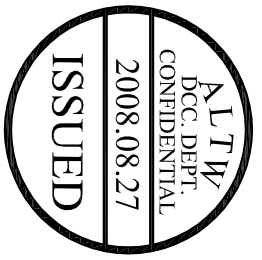
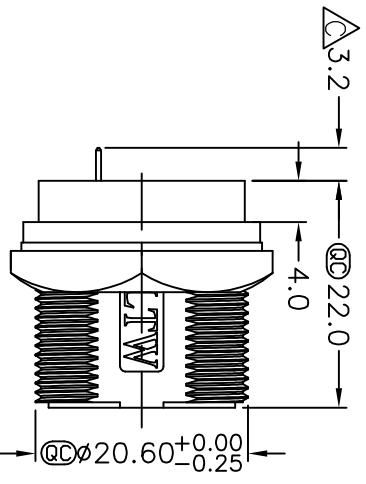


| REV. | ECN NO. | DATE | SIGN. | DESCRIPTION |
|------|------------|------------|-------------|-------------------------|
| B | LEN-6A0088 | 2006/10/24 | Kathy Huang | Please See The FCR/N |
| C | LEN-710010 | 2007/01/03 | Gao Ling | Change 3.5 to 3.2 |
| D | LEN-7B0136 | 2007/11/15 | Gao Ling | Modify Panel Thickness |
| E | LEN-880514 | 2008/08/18 | Kathy Huang | Change The Pin Position |



DETAIL A
SCALE 2:1



Note:
 * Ⓞ Important Dimensions.
 * Waterproof Rate: IP68
 * USB A: Female PCB Type, Gold Plated
 * Use with waterproof cap or dust cap
 * For Panel Thickness Max: 2.8mm
 * Use without waterproof cap or dust cap
 * For Panel Thickness Max: 4.0mm

| | | | | | |
|------------|--------------------------------|-------|------|-------|----|
| UNIT:mm | TITLE | SCALE | REV. | SHEET | OF |
| TOLERANCE | USB, Panel Screw M Conn. F Pin | FRG | E | 1 | 1 |
| .X ±0.25 | | SIZE | A4 | | |
| .XX ±0.1 | | | | | |
| .XXX ±0.05 | | | | | |
| ANGLES ±1° | | | | | |

Amphenol LTW
 安費諾亮泰企業股份有限公司

| | | | | | |
|----------|------------------|-------------|-------------|------|------------|
| ITEM NO | UA-20PMFP-SC8001 | DRAWN BY | Kathy Huang | DATE | 2008/08/20 |
| DWG NO | UA-20PMFP-SC8001 | CHECKED BY | Tracy Chen | DATE | 2008/08/20 |
| CUSTOMER | ALTW | APPROVED BY | Simon Hung | DATE | 2008/08/20 |