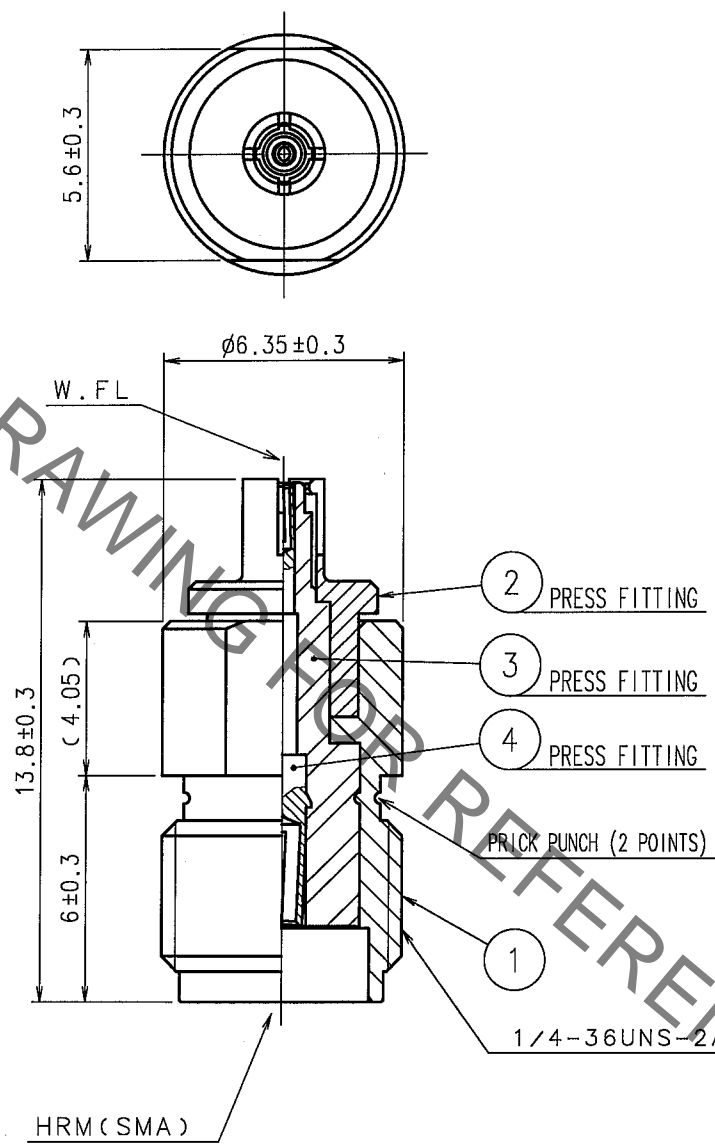


Jan.1.2022 Copyright 2022 HIROSE ELECTRIC CO., LTD. All Rights Reserved.
In case of consideration for using Automotive equipment / device which demand high reliability, kindly contact our sales window correspondents.

| 1 | | 2 | | | 3 | | | 4 | | |
|-------|--------------------------|----|------|------|-------|--------------------------|----|------|------|--|
| COUNT | DESCRIPTION OF REVISIONS | BY | CHKD | DATE | COUNT | DESCRIPTION OF REVISIONS | BY | CHKD | DATE | |
| △ | | | | | △ | | | | | |
| △ | | | | | △ | | | | | |
| △ | | | | | △ | | | | | |



HRS DRAWING FOR REFERENCE

NOTE. USE ONLY FOR ELECTRICAL MEASUREMENT BECAUSE OF LOCKING DEVICE IN MATING PORTION ON W.FL SIDE IS DESIGNED WEAKER THAN ORDINARY PRODUCTS.

| 2 | BERYLLIUM COPPER | NICKEL PLATING | 4 | BERYLLIUM COPPER | GOLD PLATING |
|-----|------------------|-----------------|-----|------------------|-----------------|
| 1 | BRASS | NICKEL PLATING | 3 | PTFE | |
| NO. | MATERIAL | FINISH, REMARKS | NO. | MATERIAL | FINISH, REMARKS |

| | | | | | | |
|----------------|--|----------|----------|------------------|------------------|----------|
| CODE NO. (OLD) | | DRAWN | DESIGNED | CHECKED | APPROVED | RELEASED |
| | | R.KIMURA | R.KIMURA | <i>M. Yamane</i> | <i>J. Mitani</i> | |
| RoHS COMPLIANT | | 05.08.11 | 05.08.11 | 05.08.23 | 05.08.26 | |

| | | |
|-----------------------------------|-----------------|----------------|
| SCALE 5 : 1 UNITS mm | DRAWING NO. | PART NO. |
| | EDC4-300218-40 | HRMJ-W.FLP(40) |
| HIROSE ELECTRIC CO., LTD. | CODE NO. | |
| | CL311-0368-6-40 | |

| |
|----|
| 0 |
| RF |
| |
| |
| |

Mouser Electronics

Authorized Distributor

Click to View Pricing, Inventory, Delivery & Lifecycle Information:

[Hirose Electric:](#)

[HRMJ-W.FLP\(40\)](#)