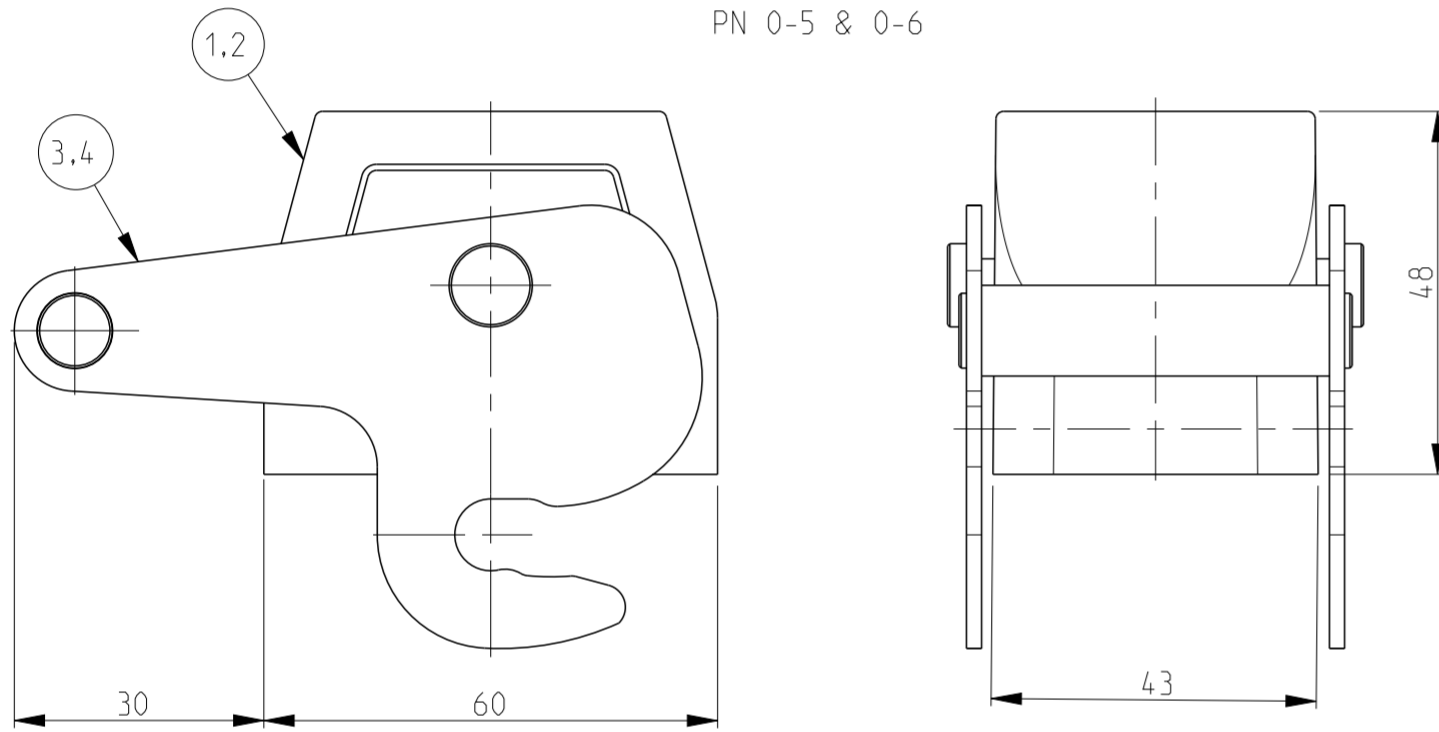
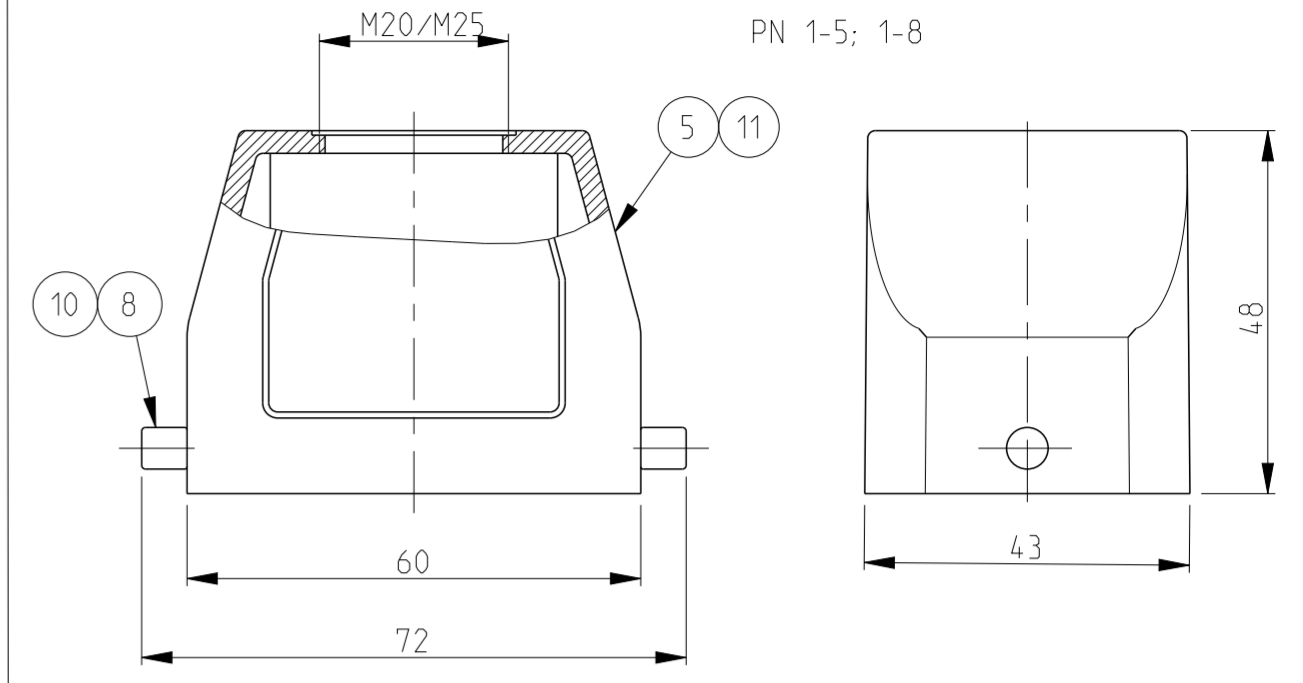
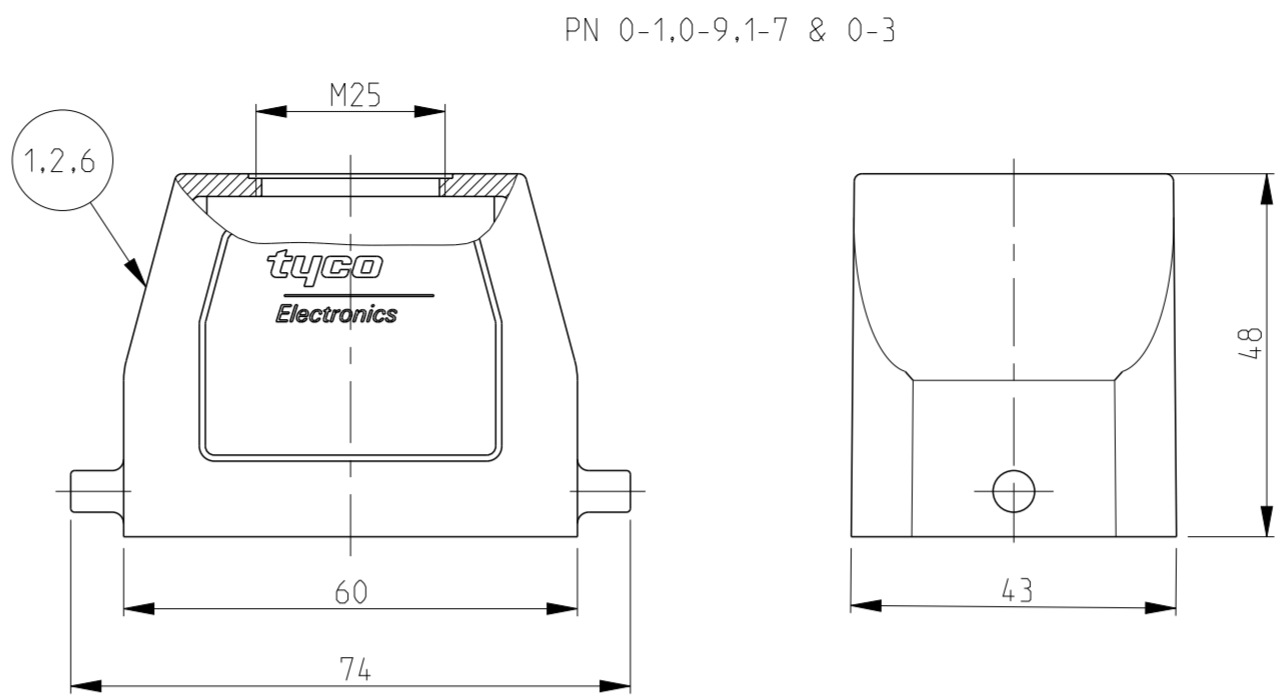
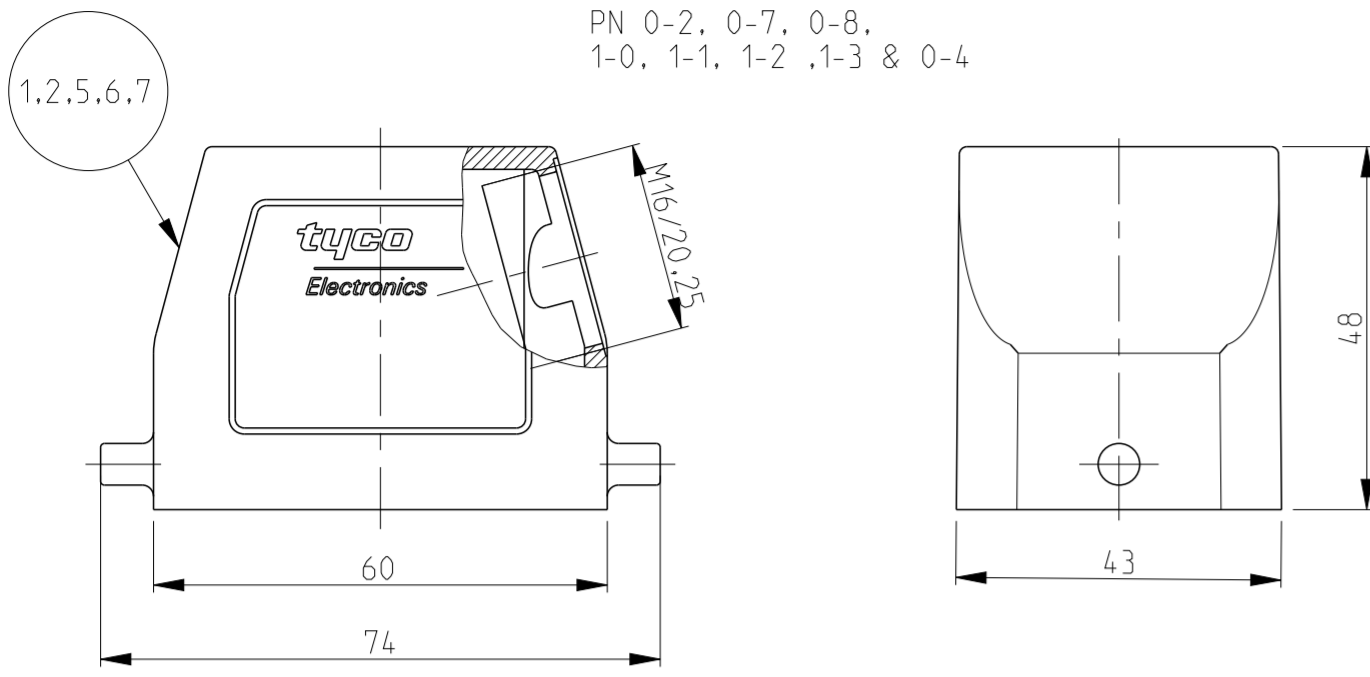
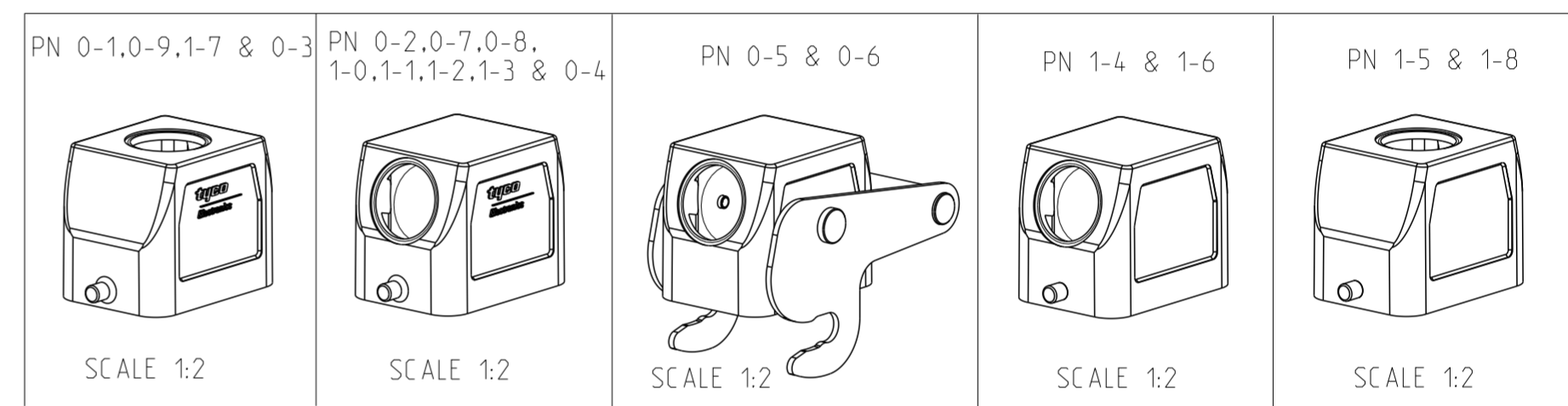


THIS DRAWING IS UNPUBLISHED. RELEASED FOR PUBLICATION 1997  
 © COPYRIGHT 1997 BY - ALL RIGHTS RESERVED.

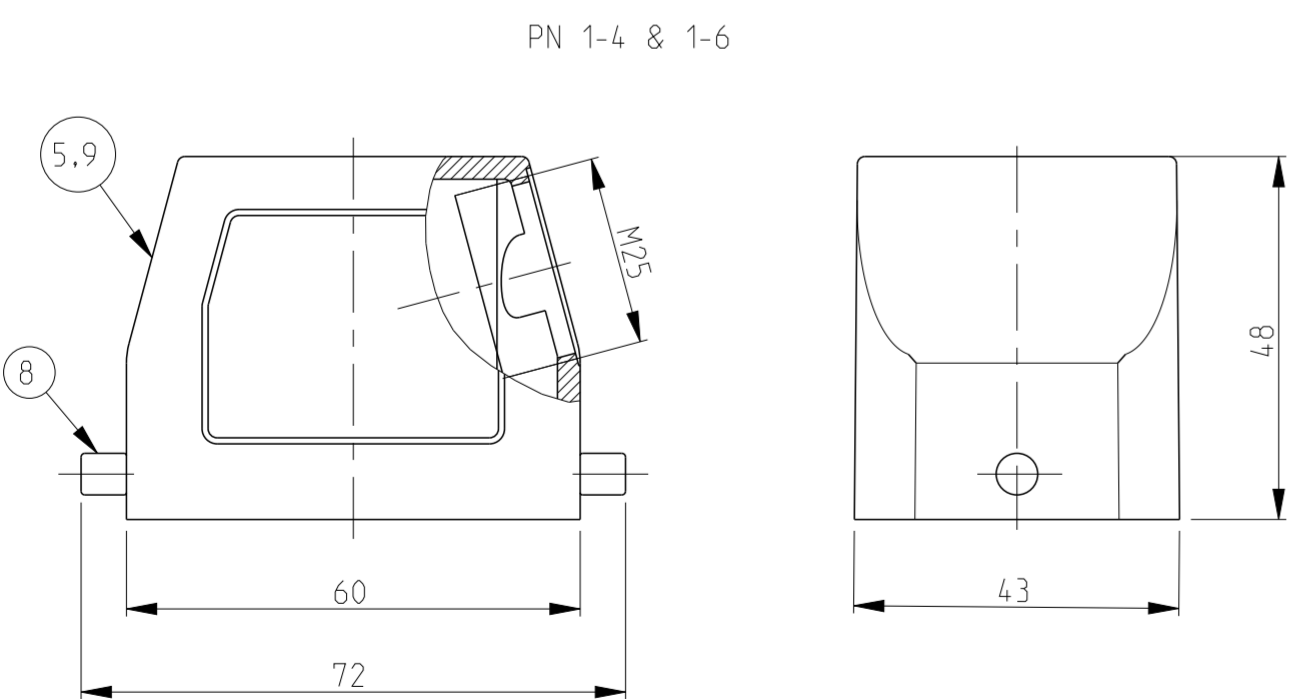
REVISIONS				
P	LTR	DESCRIPTION	DATE	DWN APVD
A15	ECR-17-014013		26MAR2018	SG MKO



- Notes
- 1 Material:Housing: Aluminium diecasting alloy
  - 2 Surface:-Powder varnish-grey  
-Aluminium oxide+varnish black  
-chromit AL TCP passivation  
+varnish black
  - 3 Varnish on the inside not necessary
  - 4 Packaging  
Packaging quantity: 5 pieces in a box



OBsolete	OBsolete	OBsolete	OBsolete	DESCRIPTION	MATERIAL	SURFACE	COLOR	ITEM NO	NOTES
1				Hood HB-K	Aluminium	Aluminium oxide	Black	11	
2				LB-Clip bolt	Stainless steel			10	
	1			Hood HB	Aluminium		Knows RAL 9010	9	Without TE Logo
	2	2		LB-Clip bolt	Steel	Zinc plated	Blue	8	
		1		Hood HB	Aluminium		Fire red RAL3000	7	
	1			Hood HB-EMV	Aluminium	SEE NOTE 2	Black	6	
		1		Hood HB	Aluminium		Grey	5	Without TE Logo
				ZB-Locking clip	Stainless steel	Blank		4	
				ZB-Locking clip	steel	Zinc plated	Blue	3	
			1	Hood HB-K	Aluminium	Aluminium oxide	Black	2	
			1	Hood HB	Aluminium		Grey	1	



THIS DRAWING IS A CONTROLLED DOCUMENT.

DWN Schneider 28.11.02  
 CHK Schneider 28.11.02  
 APVD -

NAME: HOOD HB6

PRODUCT SPEC: 108-74001/74003  
 APPLICATION SPEC: 114-74001/74004/74005

SIZE: A2 CAGE CODE: 00779 DRAWING NO: C-1106419 RESTRICTED TO: A15

WEIGHT: - SCALE: 1:1 SHEET: 1 OF 1

CUSTOMER DRAWING