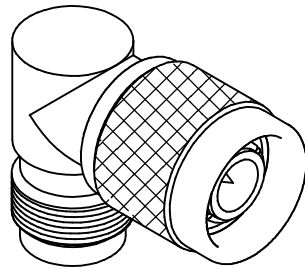
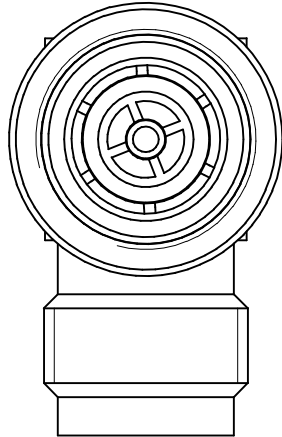
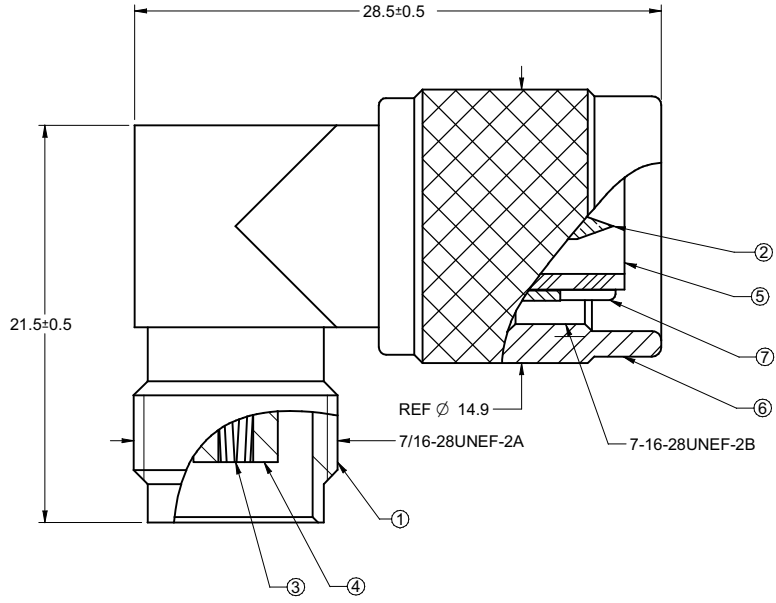


	5			4		3		2		1
PART NUMBER	ITEM ① BODY	ITEM ② CONTACT 1	ITEM ③ CONTACT 2	ITEM ④ INSULATOR 1	ITEM ⑤ INSULATOR 2	ITEM ⑥ CUPLING NUT	ITEM ⑦ OUT CONTACT			
27-9068	ZINC ALLOY NICKEL PLATED	BRASS Ni/Au PLATED	PHOS BRONZE Ni/Au PLATED	DELRIN	DELRIN	ZINC ALLOY NICKEL PLATED	ZINC ALLOY NICKEL PLATED			

DRAWING NO. 27-9068	
REVISIONS	
01	OFFICIAL RELEASE 08-20-09
	2009.09.15 11:04:33 Betty +08000



NOTES:  
1. TECHNICAL DETAIL: REFER TO EMERSON DOCUMENT P/N 28-0000

<b>受控 CONTROLLED DOCUMENT</b>					
编号 P/N	27-9068	版本 Rev	01	日期 Rel'd Date	SEP 17, 09

TOLERANCE UNLESS OTHERWISE SPECIFIED		DRAWN BY IVON.WANG	DATE 08-20-09
DECIMALS	mm	CHECKED BY LINDA.WU	DATE 08-20-09
X	+ 0.5	APPROVED BY THOMAS	DATE 08-20-09
X.X	+ 0.2		
X.XX	+ 0.1		
ANGLES	+ 0.5°	U/M	mm

<b>cinch</b> CONNECTIVITY SOLUTIONS a bel group	
TITLE TNC RT ANGLE ADAPTER	
SHEET 1 OF 1	DRAWING NO. 27-9068
	SIZE C

THIS DRAWING WAS PRODUCED BY COMPUTER, DO NOT SCALE DRAWING OR UPDATE MANUALLY.

THIS DRAWING TO BE INTERPRETED PER ANSI Y 14.5M - 1994

COMPANY CONFIDENTIAL

# Mouser Electronics

Authorized Distributor

Click to View Pricing, Inventory, Delivery & Lifecycle Information:

[Cinch Connectivity Solutions:](#)

[27-9068](#)