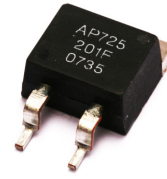


AP725 20W TO-263 Power Resistor

- Power Dissipation 20 watts with h/s
- Low inductance
- D²PAK housing
- Electrically isolated from backplate
- TCR Options ± 100 ppm/ $^{\circ}\text{C}$
- RoHS Compliant



Characteristics

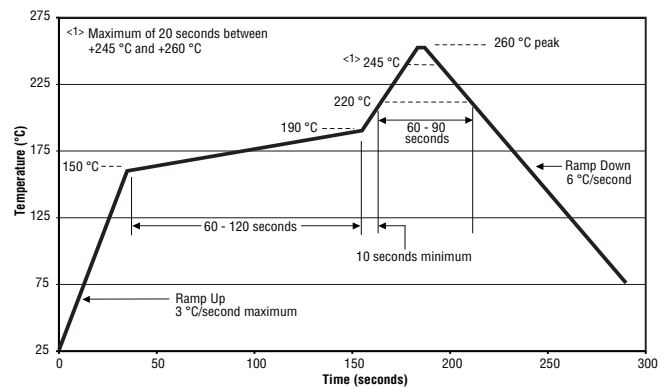
Tolerance (Code):	$\pm 1\%$ (F), $\pm 5\%$ (J)
Value range:	R02 to 130K (with standard resistance values)
Power rating:	20W at 25 $^{\circ}\text{C}$ case temperature
Temperature coefficient:	± 100 ppm/ $^{\circ}\text{C}$
Thermal resistance:	6.5 $^{\circ}\text{C}/\text{W}$
Inductance:	0.1 μH maximum
Operating voltage:	$\sqrt{P \cdot R}$ with a maximum of 250V
Dielectric strength:	2kVac
Insulation resistance:	10G Ω
Operating temperature:	-55 $^{\circ}\text{C}$ to 155 $^{\circ}\text{C}$

Electrical Specifications

Parameter	Specification
Short term overload (2x Pr for R < 2 Ω , 1.6 x Pr for R \geq 2 Ω , V < 1.5x operating voltage)	$\Delta R \pm 0.25\%$
Load life (1000 hours at rated power)	$\Delta R \pm 1.0\%$
Thermal shock (-55 $^{\circ}\text{C}$ to 155 $^{\circ}\text{C}$, 5 cycles)	$\Delta R \pm 0.5\%$
Resistance to soldering heat (10 sec at 270 $^{\circ}\text{C}$)	$\Delta R \pm 0.5\%$
Vibration (20 G 10 - 2000Hz .06" D.A)	$\Delta R \pm 0.25\%$
Moisture sensitivity level	1

Soldering Profile

Power dissipation is 2.8W at an ambient temperature of 25 $^{\circ}\text{C}$ when mounted on a double sided copper using FR4, 70 μm of copper 39x30x1.6mm

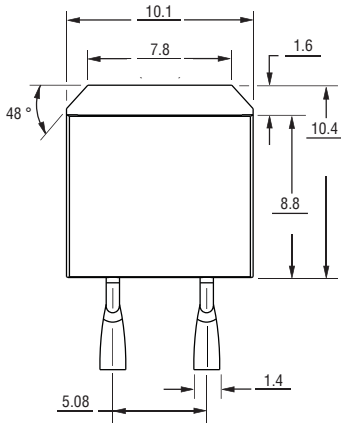


For more information and ordering, please consult

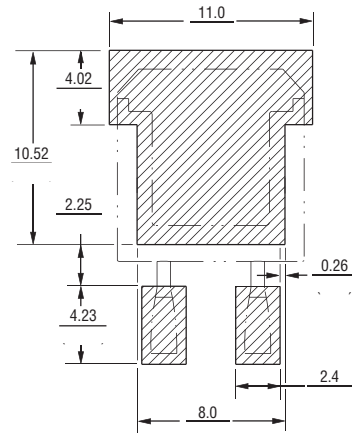
www.arcolresistors.com

AP725 20W TO-263 Power Resistor

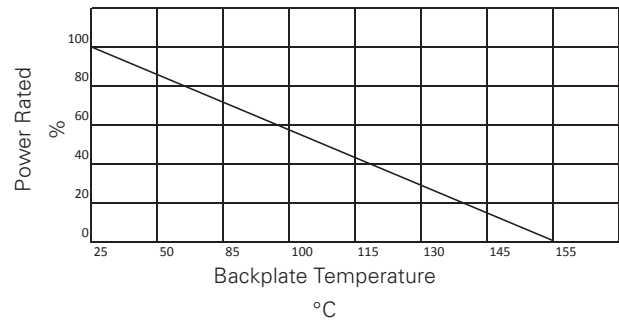
Dimensions (mm ± 0.38)



Recommended pad layout



Derating Curve



Standard part numbers

AP725R1F	AP7255RF	AP72525RF	AP72575RF
AP725R5F	AP72510RF	AP72530RF	AP725100RF
AP7251RF	AP72512RF	AP72533RF	AP725150RF
AP7251R5F	AP72515RF	AP72547RF	AP725200RF
AP7252RF	AP72520RF	AP72568RF	AP7251KF

Ordering Procedure

Standard Resistor: Series, Resistance Value, Tolerance, Packaging options T&R - TR or Tubes - blank

e.g. AP725 8R2 J TR / AP725 2R F

ARCOL UK Limited,
Threemilestone Ind. Estate,
Truro, Cornwall, TR4 9LG, UK.
T +44 (0) 1872 277431
F +44 (0) 1872 222002
E sales@arcolresistors.com

www.arcolresistors.com

The information contained herein does not form part of a contract and is subject to change without notice. ARCOL operate a policy of continual product development, therefore, specifications may change.

It is the responsibility of the customer to ensure that the component selected from our range is suitable for the intended application. If in doubt please ask ARCOL.

Mouser Electronics

Authorized Distributor

Click to View Pricing, Inventory, Delivery & Lifecycle Information:

Ohmite:

[AP725 1K F](#) [AP725 2R F](#) [AP725 R1 F](#) [AP725 10R F](#) [AP725 100R F](#) [AP725 30R F](#) [AP725 12R F](#) [AP725 47R F](#)
[AP725 15R F](#) [AP725 R5 F](#) [AP725 1R5 F](#) [AP725 25R F](#) [AP725 68R F](#) [AP725 20R F](#) [AP725 75R F](#) [AP725 33R F](#)
[AP725 1R F](#) [AP725 5R F](#) [AP725 150R F](#) [AP725 200R F](#)