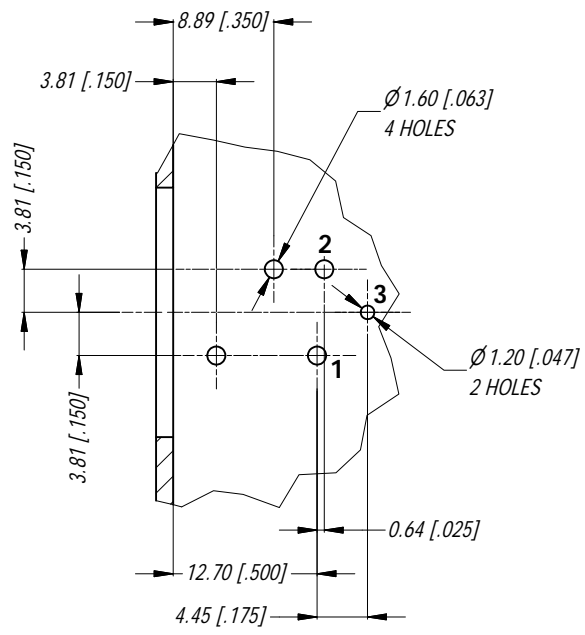


MIN MOUNTING PITCH (1:1)

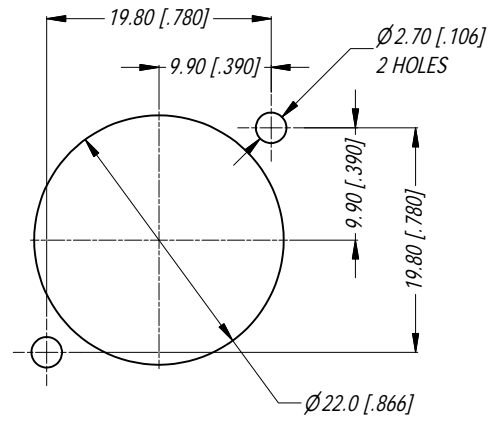


**PCB LAYOUT**

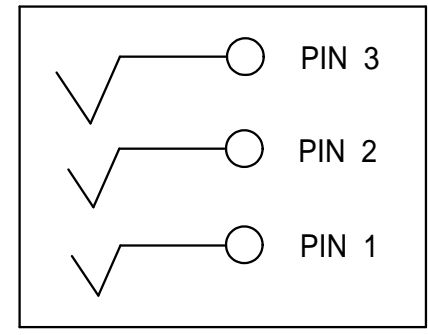
TOLERANCE : ±0.05 [0.002 in]

NOTE: DIMS IN PARENTHESES ARE IN INCHES

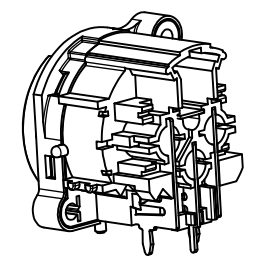
NOTE: SUFFIX "B" IN THE PART No. INDICATES BULK PACK.



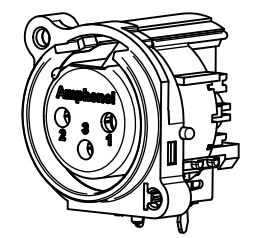
**PANEL CUT OUT  
REAR VIEW**



SCHEMATIC CHART



3D VIEW (1:1)



UNLESS OTHERWISE SPECIFIED TOLERANCE TO BE:		THIS DOCUMENT IS THE PROPERTY OF AMPHENOL AUSTRALIA PTY. LTD. NO PART THEREOF MAY BE REPRODUCED AND USED WITHOUT THE PRIOR WRITTEN CONSENT OF THE OWNER			
LINER	ANGULAR	CAD FILE:	DRN:	DATE:	
X ±	X' ± 1	55010489000221	T.N	17/04/07	
X.X ±	X.X' ± 30°		P.M	07/04/09	
X.XX ±	X.X'X' ± 15°		P.M	07/04/09	
BREAK ALL SHARP EDGES AND REMOVE ALL BURRS		MATL:	REFER TO COMPONENTS	APP'D:	
DO NOT SCALE		FINISH:	REFER TO COMPONENTS	SCALE:	3:2
DIMENSIONS IN MILLIMETRES		THIRD ANGLE PROJECTION		PART No:	AC3FBHL-AU-B

2	ADD SUFFIX TO PART No.	27/08/15	T.N	9318
1	UPDATE FEMALE SHELL	2/4/2009	A.O	8793
0	FIRST ISSUE	18/04/07	T.N	8686
REV	DESCRIPTION	DATE	BY	CHG NO
REVISION HISTORY				

TITLE:		<b>Amphenol</b>	
<b>XLR FEMALE B TYPE CONNECTOR CUSTOMER DWG</b>			
DRAWING NO.		SHEET	
55010489-000-2		2/2	

Amphenol Australia Pty.Ltd. 2 Fiveways Blvd. Keysborough, Vic3173

# Mouser Electronics

Authorized Distributor

Click to View Pricing, Inventory, Delivery & Lifecycle Information:

## Amphenol:

[AC6AFDZB-AU](#) [AC6AFB-AU](#) [AC6AMDZB-AU](#) [AC3FBHL-AU-B](#) [AC3MBH4-AU-B](#) [ACJC6VL BULK](#) [ACJC9VL BULK](#)  
[ACJC10HL BULK](#) [ACJC10S BULK](#) [AC3FM-AU](#) [AC3FMB-AU](#) [AC3-MIC](#) [AC3-MIC-AU](#) [AC4-MIC](#) [AC5-MIC](#) [AC5-](#)  
[MIC-AU](#) [ACJC10AVL BULK](#) [ACJC9AV BULK](#) [ACJC10AH BULK](#) [ACJC6AV BULK](#) [ACJC10AV BULK](#) [ACJC10AV2](#)  
[BULK](#) [ACJC6AV2L BULK](#) [ACJC10AHL BULK](#) [ACJC6AV2 BULK](#)