

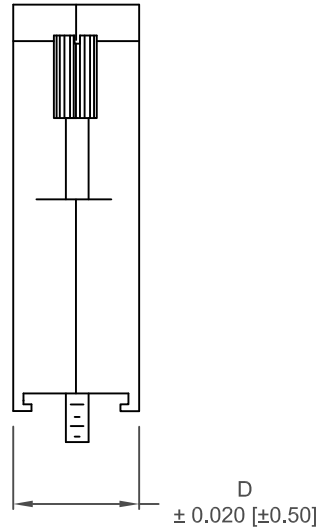
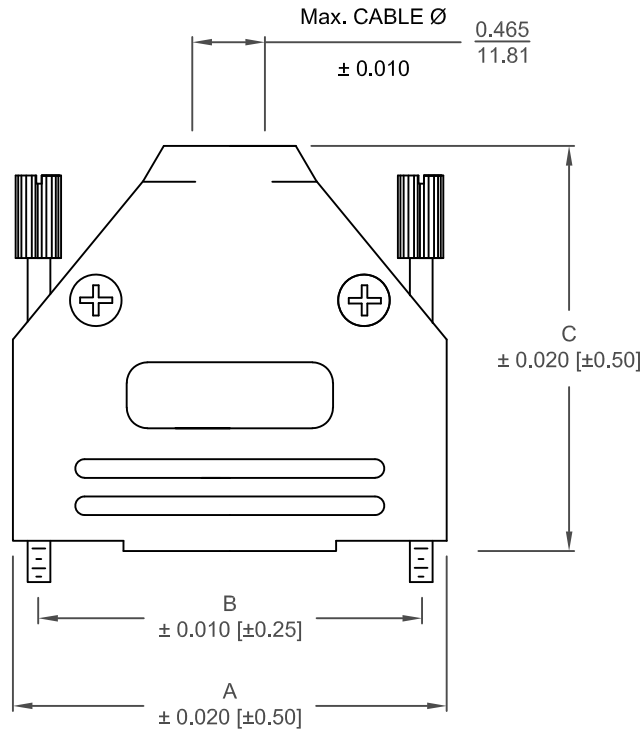
DESCRIPTION: 970 SERIES D-SUB BACKSHELL

BACKSHELL KIT INCLUDES:

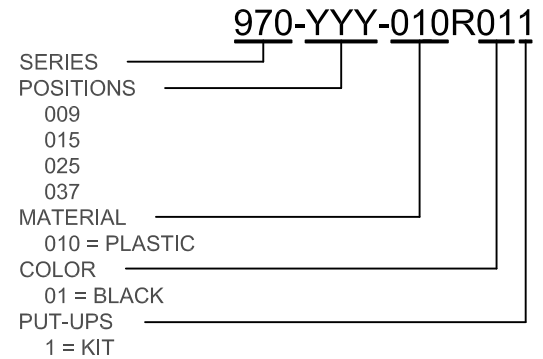
- (2) BACKSHELL HALVES
- (2) 4-40 THUMBSCREWS
- (2) HOUSING SCREWS/NUTS
- (1) SET OF COMPRESSION INSERTS - VARIOUS SIZES
 $\varnothing 0.157$ [4.0], $\varnothing 0.197$ [5.0], $\varnothing 0.276$ [7.0], $\varnothing 0.354$ [9.0]

MATERIAL: ABS POLYLAC / BLACK
 UL 94-HB
 JACKSCREWS: STEEL - BLACK OXIDE
 M3 HOODSCREWS: STEEL - BLACK OXIDE
 COMPRESSION INSERT: ABS UL 94-HB
 M3 NUT: STEEL, BLACK OXIDE
 OPERATING TEMP: -30°C TO +90°C

**NOTE: 3 in-lbs IS RECOMMENDED TORQUE FOR HOUSING SCREWS



| DIMENSIONS (in/mm) | | | | |
|--------------------|-------|-------|-------|-------|
| No. OF PINS | A | B | C | D |
| 9 | 1.228 | 0.984 | 1.571 | 0.590 |
| | 31.19 | 24.99 | 39.90 | 14.99 |
| 15 | 1.555 | 1.312 | 1.634 | 0.590 |
| | 39.50 | 33.32 | 41.50 | 14.99 |
| 25 | 2.102 | 1.852 | 1.913 | 0.590 |
| | 53.39 | 47.04 | 48.59 | 14.99 |
| 37 | 2.744 | 2.500 | 2.110 | 0.590 |
| | 69.70 | 63.50 | 53.59 | 14.99 |



UNITS = INCHES [MM]

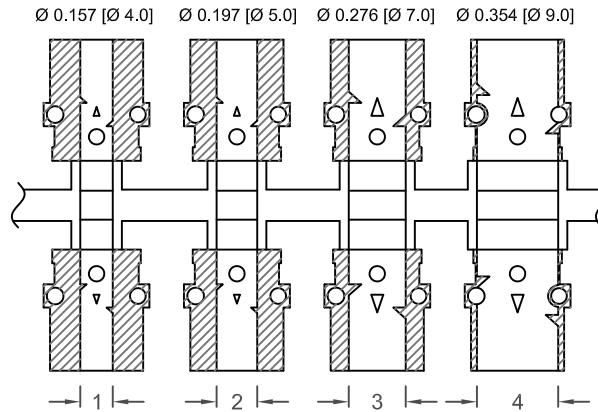
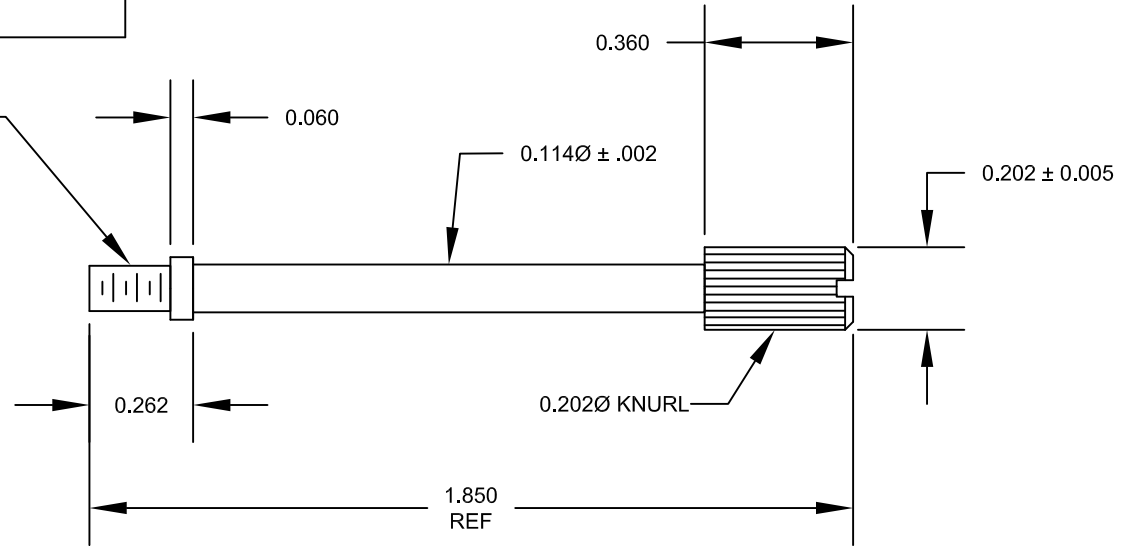
| | | | | |
|--------------------------|---|--|-----------------------|------------------|
| | THESE DRAWINGS AND SPECIFICATIONS ARE THE PROPERTY OF NorComp AND SHALL NOT BE REPRODUCED, COPIED OR USED AS THE BASIS FOR THE MANUFACTURE OR SALE OF APPARATUS WITHOUT WRITTEN PERMISSION. | | DRAWN: PAM JENKINS | DATE: 6-09-05 |
| | <h1>NorComp</h1> | | SCALE NTS | SHEET 1 OF 2 |
| DWG NO. 970 -YYY-010R011 | | | | |

RoHS COMPLIANT

DESCRIPTION: 970 SERIES D-SUB BACKSHELL

MATERIAL: STEEL
PLATING: ZINC, BLACK

#4-40 UNC THREAD



PLASTIC INSERTS

UNITS = INCHES [MM]



THESE DRAWINGS AND SPECIFICATIONS ARE THE PROPERTY OF NorComp AND SHALL NOT BE REPRODUCED, COPIED OR USED AS THE BASIS FOR THE MANUFACTURE OR SALE OF APPARATUS WITHOUT WRITTEN PERMISSION.

DRAWN:
PAM JENKINS

DATE:
6-09-05

NorComp

SCALE: NTS SHEET 2 OF 2 REV 11

DWG NO. 970 -YYY-010R011

RoHS COMPLIANT

Mouser Electronics

Authorized Distributor

Click to View Pricing, Inventory, Delivery & Lifecycle Information:

[NorComp:](#)

[970-009-010R011](#) [970-037-010R011](#) [970-025-010R011](#) [970-015-010R011](#)