

**CHARACTERISTICS**

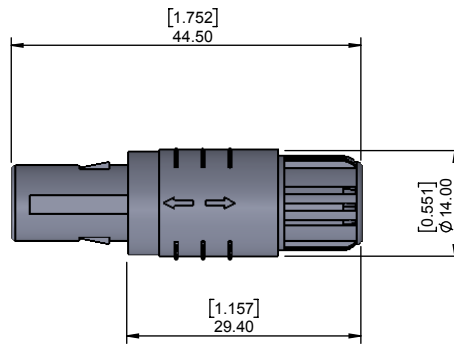
**MATERIALS**

HOUSING : ABS+PC  
 HOUSING COLOR : GREY  
 COLLET NUT : ABS+PC  
 CONTACTS : COPPER ALLOY  
 CONTACT PLATING : 7µ" GOLD PLATED OVER 196µ" NICKEL MIN.  
 INSULATOR : PPS (HIGH TEMPERATURE)

**MECHANICAL**

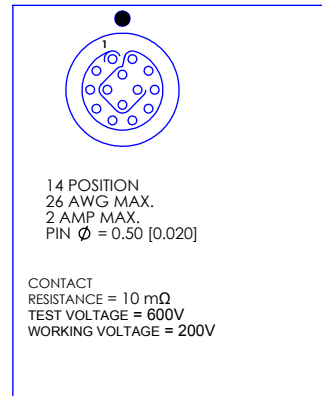
DURABILITY: 2000 CYCLES  
 OPERATING TEMP. RANGE: -20° C ~ +120° C  
 PROCESS TEMPERATURE : 260°C FOR 5 SECONDS  
 MAX. TORQUE VALUE: 0.5 Nm [4.4 IN/LBS]

IP RATING: 50



**CHART B**

COLLET SIZE	WIRE DIAMETER
42	2.20 [0.087] ~ 4.00 [0.157]
52	4.00 [0.157] ~ 5.00 [0.197]
62	5.00 [0.197] ~ 6.00 [0.236]



**CHART A**

● = KEY LOCATION

\*\*VIEW FROM TERMINATION END\*\*

 2 POSITION 22 AWG MAX. 10 AMP MAX. PIN Ø = 1.30 [0.051]  CONTACT RESISTANCE = 5 mΩ TEST VOLTAGE = 1200V WORKING VOLTAGE = 400V	 3 POSITION 22 AWG MAX. 10 AMP MAX. PIN Ø = 1.30 [0.051]  CONTACT RESISTANCE = 5 mΩ TEST VOLTAGE = 1200V WORKING VOLTAGE = 400V	 4 POSITION 22 AWG MAX. 8 AMP MAX. PIN Ø = 0.90 [0.035]  CONTACT RESISTANCE = 6 mΩ TEST VOLTAGE = 1200V WORKING VOLTAGE = 400V	 5 POSITION 22 AWG MAX. 7 AMP MAX. PIN Ø = 0.90 [0.035]  CONTACT RESISTANCE = 6 mΩ TEST VOLTAGE = 1050V WORKING VOLTAGE = 350V	 6 POSITION 24 AWG MAX. 6 AMP MAX. PIN Ø = 0.70 [0.028]  CONTACT RESISTANCE = 7.5 mΩ TEST VOLTAGE = 1050V WORKING VOLTAGE = 350V	 7 POSITION 24 AWG MAX. 5 AMP MAX. PIN Ø = 0.70 [0.028]  CONTACT RESISTANCE = 7.5 mΩ TEST VOLTAGE = 1050V WORKING VOLTAGE = 350V	 8 POSITION 24 AWG MAX. 5 AMP MAX. PIN Ø = 0.70 [0.028]  CONTACT RESISTANCE = 7.5 mΩ TEST VOLTAGE = 1050V WORKING VOLTAGE = 350V	 9 POSITION 26 AWG MAX. 3 AMP MAX. PIN Ø = 0.50 [0.020]  CONTACT RESISTANCE = 10 mΩ TEST VOLTAGE = 850V WORKING VOLTAGE = 280V	 10 POSITION 26 AWG MAX. 3 AMP MAX. PIN Ø = 0.50 [0.020]  CONTACT RESISTANCE = 10 mΩ TEST VOLTAGE = 850V WORKING VOLTAGE = 280V
---	---	--	--	--	--	--	--	---

**RoHS COMPLIANT**



THESE DRAWINGS AND SPECIFICATIONS ARE THE PROPERTY OF NorComp AND SHALL NOT BE REPRODUCED, COPIED OR USED AS THE BASIS FOR THE MANUFACTURE OR SALE OF APPARATUS WITHOUT WRITTEN PERMISSION.

**NorComp**

DRAWN: M. SIGMON	DATE: 08-01-16	SCALE: N.T.S.	SHEET 1 OF 1	REV: 2
DWG NO. 8P1PYYY17NYL YY1				

# Mouser Electronics

Authorized Distributor

Click to View Pricing, Inventory, Delivery & Lifecycle Information:

## NorComp:

[8P1P00717NRL621](#) [8P1P01417NVL521](#) [8P1P00517NVL421](#) [8P1P00517NRL521](#) [8P1P00717NVL521](#)  
[8P1P00317NVL621](#) [8P1P00217NNL521](#) [8P1P00217NVL621](#) [8P1P00317NNL521](#) [8P1P00617NAL421](#)  
[8P1P00417NNL521](#) [8P1P00417NAL621](#) [8P1P00917NVL421](#) [8P1P01017NGL421](#) [8P1P01017NVL621](#)  
[8P1P00717NAL621](#) [8P1P00817NAL421](#) [8P1P00817NVL421](#) [8P1P00817NGL521](#) [8P1P00917NVL421](#)  
[8P1P00517NVL621](#) [8P1P00417NGL421](#) [8P1P00917NRL521](#) [8P1P00317NAL521](#) [8P1P00617NGL621](#)  
[8P1P01017NAL621](#) [8P1P01017NAL421](#) [8P1P00817NVL621](#) [8P1P00617NNL621](#) [8P1P00417NRL621](#)  
[8P1P00917NGL521](#) [8P1P01017NRL621](#) [8P1P00817NVL521](#) [8P1P01017NGL621](#) [8P1P00517NVL621](#)  
[8P1P01017NVL521](#) [8P1P00917NGL621](#) [8P1P00717NGL421](#) [8P1P01417NGL521](#) [8P1P00417NVL621](#)  
[8P1P00917NVL621](#) [8P1P00617NRL421](#) [8P1P00617NAL521](#) [8P1P00717NRL421](#) [8P1P00217NGL521](#)  
[8P1P00417NVL421](#) [8P1P00517NVL521](#) [8P1P00817NRL521](#) [8P1P01017NNL421](#) [8P1P00317NGL521](#)  
[8P1P00317NVL521](#) [8P1P01417NAL521](#) [8P1P00317NAL421](#) [8P1P01017NAL521](#) [8P1P00417NGL521](#)  
[8P1P00517NNL521](#) [8P1P00717NGL621](#) [8P1P01017NNL621](#) [8P1P00417NVL521](#) [8P1P00617NNL521](#)  
[8P1P00217NAL521](#) [8P1P00517NAL421](#) [8P1P01417NGL621](#) [8P1P00317NVL421](#) [8P1P01417NRL421](#)  
[8P1P01417NVL621](#) [8P1P00417NNL421](#) [8P1P00717NAL421](#) [8P1P00617NGL521](#) [8P1P00517NVL521](#)  
[8P1P00617NVL421](#) [8P1P01417NRL521](#) [8P1P00517NGL521](#) [8P1P00717NVL621](#) [8P1P00617NAL621](#)  
[8P1P00617NNL421](#) [8P1P00617NVL621](#) [8P1P00417NAL521](#) [8P1P00617NVL521](#) [8P1P00917NAL521](#)  
[8P1P00317NGL421](#) [8P1P00917NNL521](#) [8P1P00217NRL521](#) [8P1P00217NVL521](#) [8P1P01417NNL621](#)  
[8P1P00417NAL421](#) [8P1P01417NAL621](#) [8P1P00917NAL621](#) [8P1P00717NVL521](#) [8P1P00217NGL421](#)  
[8P1P00817NVL621](#) [8P1P00817NNL621](#) [8P1P01417NVL421](#) [8P1P00417NVL621](#) [8P1P00617NRL621](#)  
[8P1P01017NVL621](#) [8P1P01017NRL421](#) [8P1P00217NRL421](#) [8P1P00217NAL421](#) [8P1P01417NVL621](#)