

Linear measuring technology

Length measuring kit mini measurement system	Measuring wheel system, incl. encoder	Incremental
---	--	--------------------



Very compact mini measurement system with incremental interface.

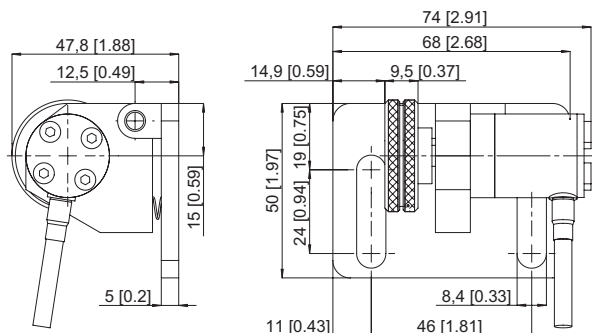
Easy to install	Compact construction
<ul style="list-style-type: none"> The measuring wheel, the sensor and the fastening are pre-assembled and thus easy to install: fix – connect – ready-to-go. 	<ul style="list-style-type: none"> Dimensions of the whole unit 74 x 50 x 52 mm. Measuring wheel circumference 100 mm.

Order code	05.2400.0040.1000.50 XX	a
<i>Resolution</i> 0.1 mm	<i>Cable outlet</i> radial cable, 2 m [6.56'] PVC	a <i>Measuring wheel</i> 45 = knurled aluminium 49 = rubber, Shure hardness 60

Technical data	
Maximum speed	2000 min ⁻¹
Protection acc. to EN 60529	IP64
Output circuit	Push-pull with inverted signal
Power supply	8 ... 30 V DC
Current	≤ 20 mA
Load channel max.	20 mA
Output frequency max.	≥ 100 kHz

Dimensions

Dimensions in mm [inch]



Linear measuring technology