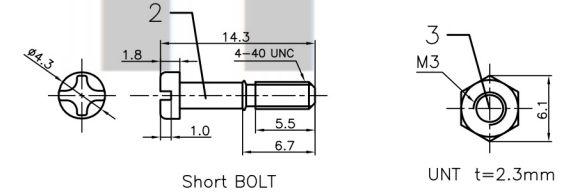
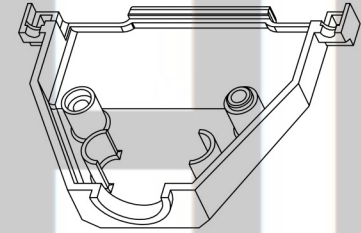


BOM LIST			
ITEM	PART NAME	Q'ty	NOTES
1	PLASTIC HOOD	2	ABS
2	LONG BOLT	2	#4-40
	SHORT BOLT	2	#4-40
3	NUT	2	M3
4	LONG SCREW	2	M3
5	SMALL WASHER	2	
6	SHORT SCREW	2	M3
7	7.1 METAL WASHER	2	M3
	7.2 PLASTIC-1 WASHER	2	ABS
	7.3 PLASTIC-2 WASHER	2	ABS

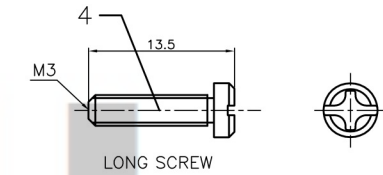
REV.	DESCRIPTION	DRAWN	CHECKED	APPROVED
A	NEW RELEASE	LJH 10/26/05'	~	LJC 10/26/05'
B	整理图面	YCH 09/13/07'	~	

ITEM: DSUB PLASTIC CASE (DP-37C)

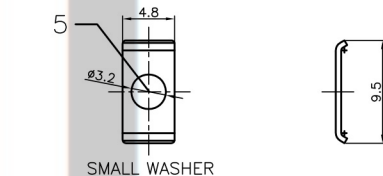


Short BOLT

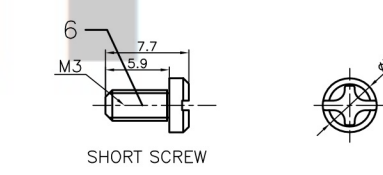
UNT t=2.3mm



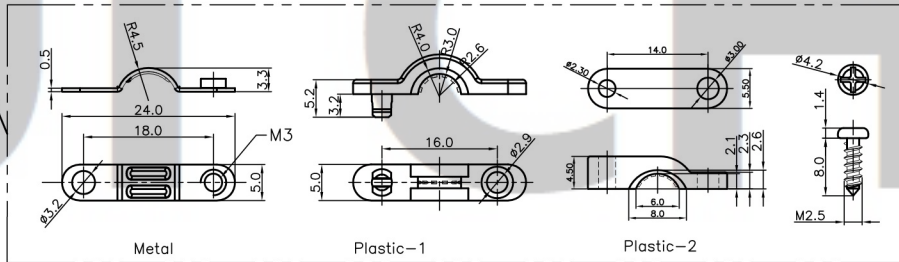
LONG SCREW



SMALL WASHER



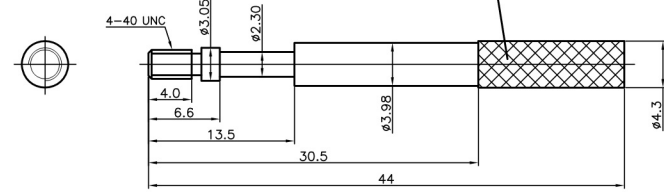
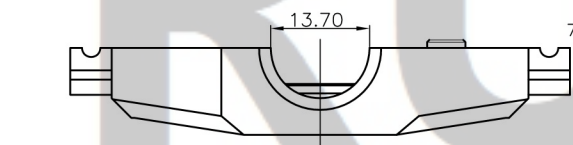
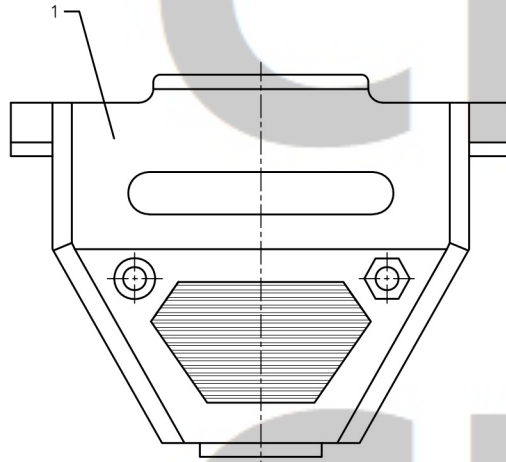
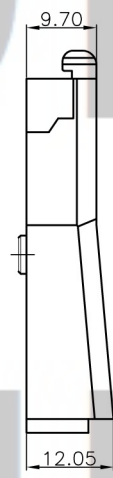
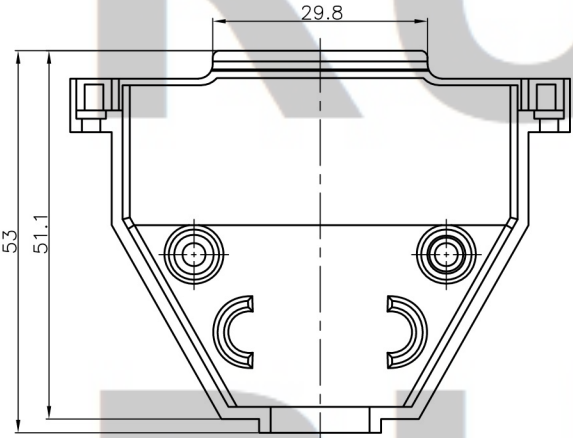
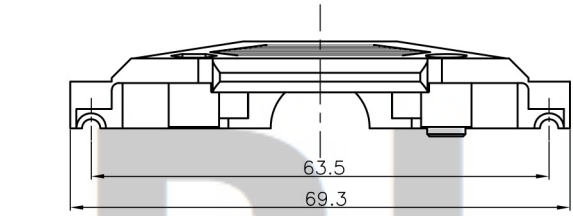
SHORT SCREW



Metal

Plastic-1

Plastic-2



Long BOLT

GENERAL TOLERANCE		ANGLE TOLERANCE		PROJECTION	TITLE
X.	±0.60	X.	±5°		D-SUB 37pin Hood Chromium plated
.X	±0.38	.X	±3°	UNITS	mm
.XX	±0.25	.XX	±2°	SHEET SIZE	A4
				SERIES	DS1046 SERIES
DRAWING TYPE		COSTOMER		<h1>RUI CHI</h1>	
SCALE		1:1			
DRAWING NO.		C-DS1046-37XXXX			