

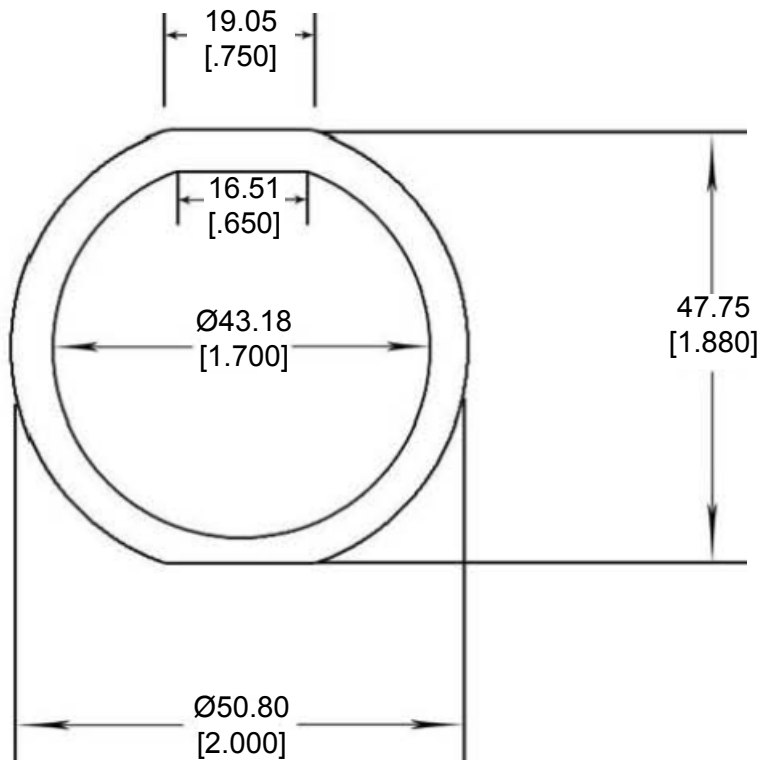
2014

RELEASED FOR PUBLICATION


ALL RIGHTS RESERVED.

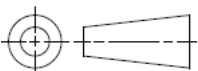
© COPYRIGHT 2014 BY TE CONNECTIVITY

REVISIONS				
P	LTR	DESCRIPTION	DATE	APVD
A		NEW RELEASE PER ECO-14-012854	08-20-14	DM DM



- 4. THICKNESS: 3.18 [.125]
- 3. PART NO. 16-04477
- 2. TEMPERATURE RATING: -57°C TO +107°C [-70°F TO +225°F]
- 1. THIS PART IS USED ON HDP20 / HD30 SIZE 24 RECEPTACLES.

DIMENSIONS: <b>MM [INCH]</b>	DWN D. MEYER 20AUG2014	MATERIAL CLD CELL SPONGE	FINISH BLACK
	CHK I. GRANTCHARVORA 20AUG2014	 TE Connectivity	
TOLERANCES UNLESS OTHERWISE SPECIFIED:	APVD D. MEYER 20AUG2014		
0 PLC ±	PRODUCT SPEC	SIZE A 4	CAGE CODE 4AFU8
1 PLC ±	APPLICATION SPEC	DRAWING NO	RESTRICTED TO
2 PLC ± 0.76 [.030]		SCALE NONE	SHEET 1 OF 1
3 PLC ±	WEIGHT .45 g	Customer Drawing	
4 PLC ±			
ANGLES ± 5°			



# Mouser Electronics

Authorized Distributor

Click to View Pricing, Inventory, Delivery & Lifecycle Information:

[TE Connectivity:](#)

[16-04477](#)