

AMP LATCH D/P ASSY ✓ ACTIVE

AMP-LATCH | AMP-LATCH DIL-PLUG

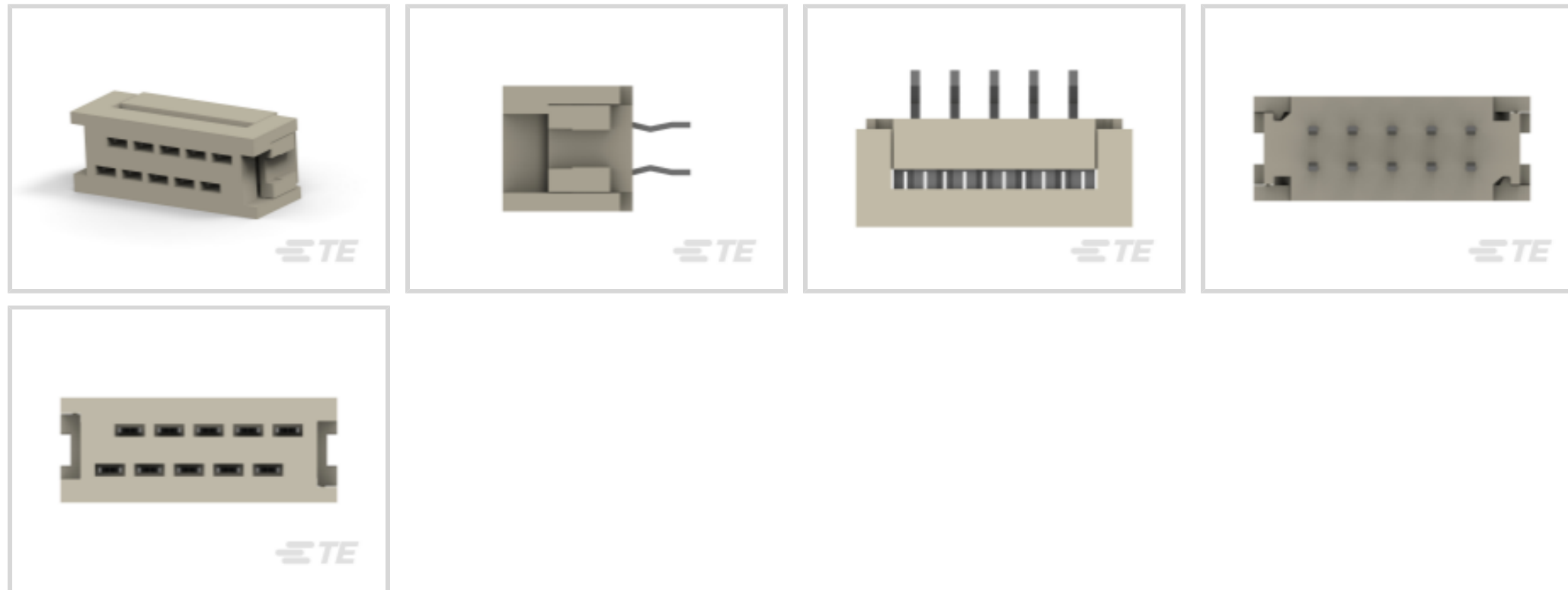
TE Part # 1-216791-0

TE Internal #: 1-216791-0

[View on TE.com >](#)



Connectors > PCB Connectors > Wire-to-Board Connectors > FFC, FPC & Ribbon Connectors > Ribbon Cable Connectors



Connector System: **Wire-to-Board**

Number of Positions: **10**

Centerline (Pitch): **2.54 mm [.1 in]**

PCB Mount Retention: **With**

PCB Mount Retention Type: **Boardlock**

Features

Product Type Features

Product Type	Connector
Header Type	Shrouded
Connector System	Wire-to-Board
Row-to-Row Spacing	2.54 mm[.1 in]
Connector Style	Plug
Connector & Contact Terminates To	Printed Circuit Board

Configuration Features

Number of Positions	10
PCB Mount Orientation	Vertical
Number of Rows	2

Contact Features

Contact Mating Area Plating Material	Tin
Contact Current Rating (Max)	1 A

Termination Features

Termination Method to Printed Circuit Board	Through Hole - Solder
---	-----------------------

Termination Method to Wire & Cable

Insulation Displacement Crimp (IDC)

Mechanical Attachment

PCB Mount Retention	With
PCB Mount Retention Type	Boardlock
Mating Connector Lock	With
Mating Connector Lock Type	Latch
Connector Mounting Type	Board Mount

Housing Features

Housing Color	Gray
Centerline (Pitch)	2.54 mm[.1 in]

Usage Conditions

Operating Temperature Range	-65 – 105 °C[-85 – 221 °F]
-----------------------------	----------------------------

Operation/Application

Circuit Application	Signal
---------------------	--------

Product Compliance

For compliance documentation, visit the product page on [TE.com](https://www.te.com)>

EU RoHS Directive 2011/65/EU	Compliant
EU ELV Directive 2000/53/EC	Compliant
China RoHS 2 Directive MIIT Order No 32, 2016	No Restricted Materials Above Threshold
EU REACH Regulation (EC) No. 1907/2006	Current ECHA Candidate List: JAN 2019 (197) Candidate List Declared Against: JUN 2018 (191)
Halogen Content	Not Low Halogen - contains Br or Cl > 900 ppm.
Solder Process Capability	Wave solder capable to 265°C

Product Compliance Disclaimer

This information is provided based on reasonable inquiry of our suppliers and represents our current actual knowledge based on the information they provided. This information is subject to change. The part numbers that TE has identified as EU RoHS compliant have a maximum concentration of 0.1% by weight in homogenous materials for lead, hexavalent chromium, mercury, PBB, PBDE, DBP, BBP, DEHP, DIBP, and 0.01% for cadmium, or qualify for an exemption to these limits as defined in the Annexes of Directive 2011/65/EU (RoHS2). Finished electrical and electronic equipment products will be CE marked as required by Directive 2011/65/EU. Components may not be CE marked. Additionally, the part numbers that TE has identified as EU ELV compliant have a maximum concentration of 0.1% by weight in homogenous materials for lead, hexavalent chromium, and mercury, and 0.01% for cadmium, or qualify for an exemption to these limits as defined in the Annexes of Directive 2000/53/EC (ELV). Regarding the REACH Regulations, TE's information on SVHC in articles for this part number is still based on the European Chemical Agency (ECHA) 'Guidance on requirements for substances in articles' (Version: 2, April 2011), applying the 0.1% weight on weight concentration threshold at the finished

product level. TE is aware of the European Court of Justice ruling of September 10th, 2015 also known as O5A (Once An Article Always An Article) stating that, in case of 'complex object', the threshold for a SVHC must be applied to both the product as a whole and simultaneously to each of the articles forming part of its composition. TE has evaluated this ruling based on the new ECHA "Guidance on requirements for substances in articles" (June 2017, version 4.0) and will be updating its statements accordingly.

Also in the Series | AMP-LATCH DIL-PLUG



Ribbon Cable Connectors
(28)

Customers Also Bought



TE Part #925369-6
MOD 4 REC.HSG 1X06P



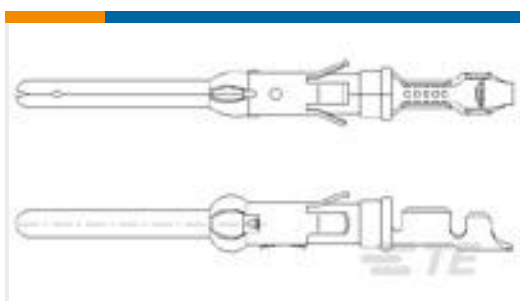
TE Part #1-100103-4
14P.A/L.STRAIN REL.



TE Part #5-100103-0
50P.A/L.STRAIN REL.



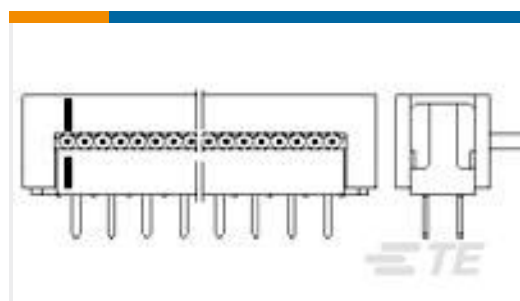
TE Part #150500-2
MINI FASTION 110 REC
24-20 AWG TPBR



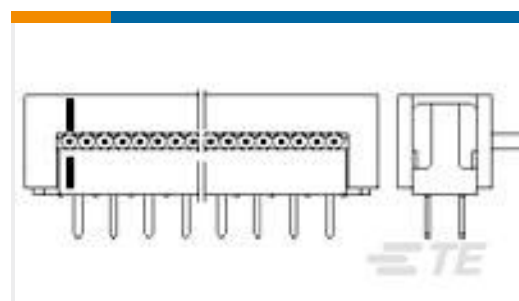
TE Part #1-163081-1
.062 DIA PIN ASSY 3+



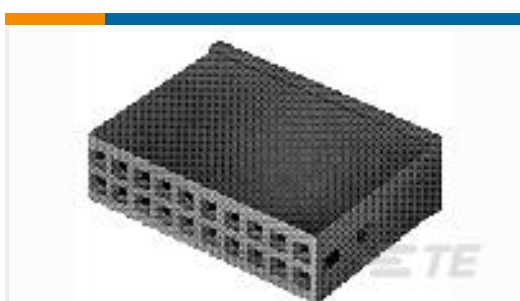
TE Part #925370-6
MOD.IV REC HSG, 2X6P



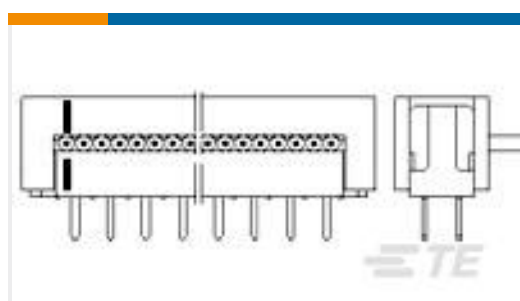
TE Part #1-216791-6
AMP LATCH D/P ASSY



TE Part #2-216791-6
26P LATCH DIL-STECK



TE Part #925370-4
MOD IV REC HSG 2X4 POS



TE Part #1-216791-4
AMP LATCH D/P ASSY

Documents

[Product Drawings](#)



AMP LATCH D/P ASSY

English

CAD Files

3D PDF

3D

Customer View Model

[ENG_CVM_CVM_1-216791-0_B.2d_dxf.zip](#)

English

Customer View Model

[ENG_CVM_CVM_1-216791-0_B.3d_igs.zip](#)

English

Customer View Model

[ENG_CVM_CVM_1-216791-0_B.3d_stp.zip](#)

English

Product Environmental Compliance

Product Compliance

English

Product Compliance

English