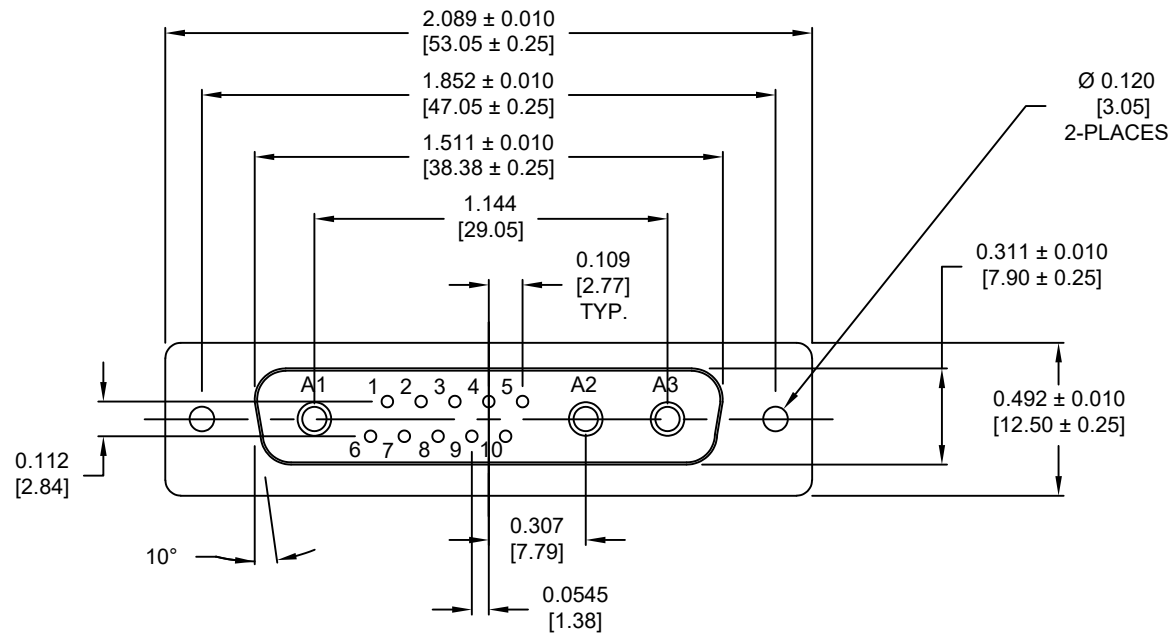
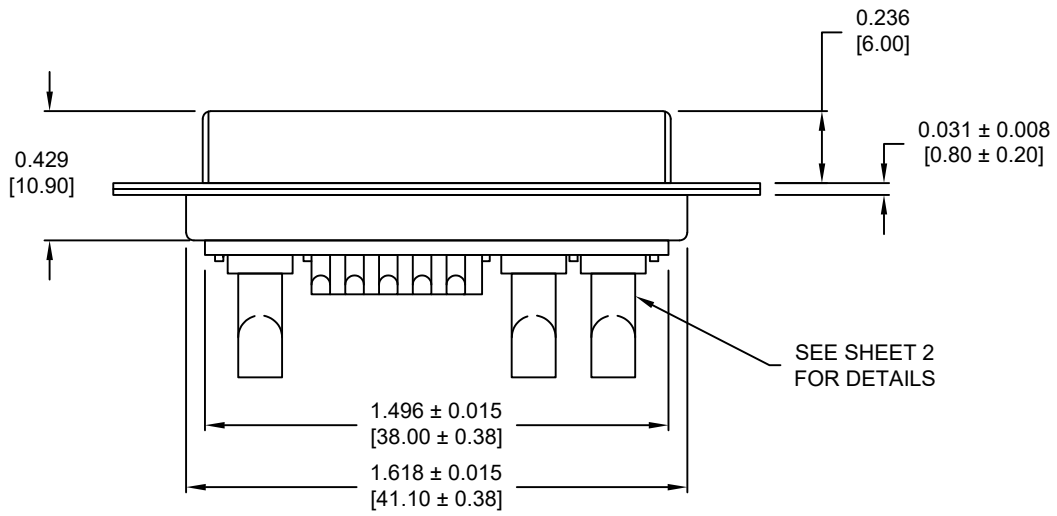


SPECIFICATIONS:



- ELECTRICAL:**  
 INSULATOR RESISTANCE: 5 GOhms MIN.  
 DIELECTRIC WITHSTANDING: 1000 VAC FOR 1 MIN  
 OPERATING TEMPERATURE: -55°C TO +125°C  
 POWER CONTACT RESISTANCE: 2.0 mOhms MAX.  
 SIGNAL CONTACT RESISTANCE: 10 mOhms MAX.  
 POWER CONTACT AMPERAGE: SEE P/N KEY  
 SIGNAL CONTACT AMPERAGE: 5 AMPS
- MECHANICAL:**  
 CONTACT INSERTION FORCE: 4.5 Kg MAX.  
 CONTACT SEPARATION FORCE: 0.3 Kg MIN.
- MATERIALS:**  
 CONTACTS: COPPER ALLOY, GOLD FLASH  
 INSULATOR: PBT UL94V-0 RATED  
 230°C PROCESS TEMP.
- SHELL:** NICKEL PLATED STEEL  
**SEAL:** F04 FLEXIBLE ADHESIVE



680S13W3203LYY1

- 2 = 20 AMP
  - 4 = 40 AMP
  - 0 = NO HARDWARE
  - 1 = GOLD FLASH
- \*CONTACT NORCOMP FOR MORE OPTIONS

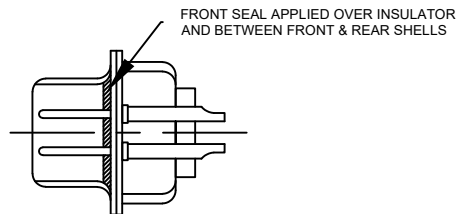
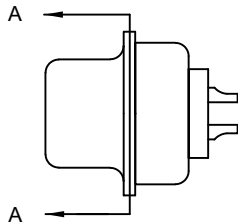
MEETS IP67 STANDARDS  
 (SEE PAGE 2 FOR SEALING DETAILS)

RoHS COMPLIANT

UNITS = inch [mm] DO NOT SCALE FROM DRAWING

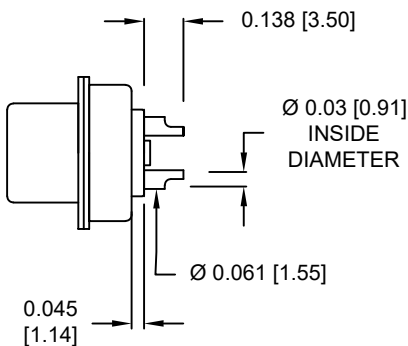
	THESE DRAWINGS AND SPECIFICATIONS ARE THE PROPERTY OF NorComp AND SHALL NOT BE REPRODUCED, COPIED OR USED AS THE BASIS FOR THE MANUFACTURE OR SALE OF APPARATUS WITHOUT WRITTEN PERMISSION.	DRAWN: P. JENKINS
		DATE: 09/13/2011

	SCALE: NTS	SHEET 1 OF 2	REV 2
	DWG NO. 680S13W3203LYY1		

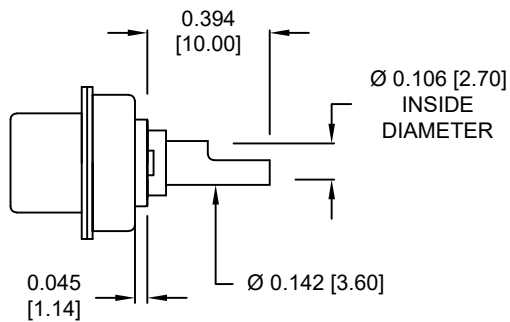


DETAIL A-A  
SHOWN FOR REFERENCE ONLY

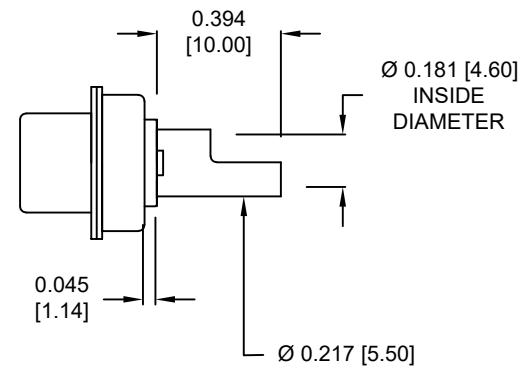
**NOTE:  
SIGNAL AND POWER CONTACTS  
COME PRE-LOADED INTO INSULATORS**



**SIGNAL CONTACTS  
ACCEPTS UP TO 20 AWG WIRE**



**20 AMP POWER CONTACTS  
ACCEPTS UP TO 12 AWG WIRE**



**40 AMP POWER CONTACTS  
ACCEPTS UP TO 8 AWG WIRE**

**RoHS COMPLIANT**

UNITS = inch [mm]

**DO NOT SCALE FROM DRAWING**



THESE DRAWINGS AND SPECIFICATIONS ARE THE PROPERTY OF NorComp AND SHALL NOT BE REPRODUCED, COPIED OR USED AS THE BASIS FOR THE MANUFACTURE OR SALE OF APPARATUS WITHOUT WRITTEN PERMISSION.

DRAWN:  
**P. JENKINS**

DATE:  
**09/13/2011**

**NorComp**

SCALE:  
NTS

SHEET OF  
2 2

REV  
2

DWG NO.

**680S13W3203LYY1**

# Mouser Electronics

Authorized Distributor

Click to View Pricing, Inventory, Delivery & Lifecycle Information:

[NorComp:](#)

[680S13W3203L201](#) [680S13W3203L401](#)