

Mini installation beacon / Permanent Light 800

Permanent Beacon EM 12-230VAC/DC CL



Part No.: 800.400.00



| MECHANICAL DATA | |
|------------------------------|--------------------------------|
| Height | 85 mm |
| Diameter | 57 mm |
| Materials | PC PC/ABS |
| Dome colour | Clear |
| Housing colour | Black |
| Protection category | IP65 |
| Connection | Screw terminals |
| cross-sectional area maximum | 1,50mm ² / 16AWG |
| Cable entry | Through hole |
| Cable entry maximum | d = 9 mm |
| Tension relief | Present (conforms to VDE) |
| Type of fixing | Built-in mounting |
| Working temperature minimum | -20°C |
| Working temperature maximum | +50°C |
| Weight with packaging | 77 g |
| Product weight | 58 g |
| ELECTRICAL DATA | |
| Operating voltage | 12-230V |
| Operating voltage type | AC/DC |
| Protection class | Protection class 2 |
| Pollution degree | 3 In the connection area: 2 |
| Overvoltage category | II |
| Isolation voltage | Ui = 250V; Uimp = 2.500V |
| OPTICAL DATA | |
| Light colour | White |
| Service life optical | depends on bulb |
| APPROVAL DATA | |
| Conforms with CE | Yes |
| WEEE | Yes |
| Conform with ATEX-directive | No |
| Conforms with CCC | Yes |
| Conforms with UL | cULus |
| UL Type Rating | Type 12 |
| Conforms with FCC | No |
| Conforms with IC | No |

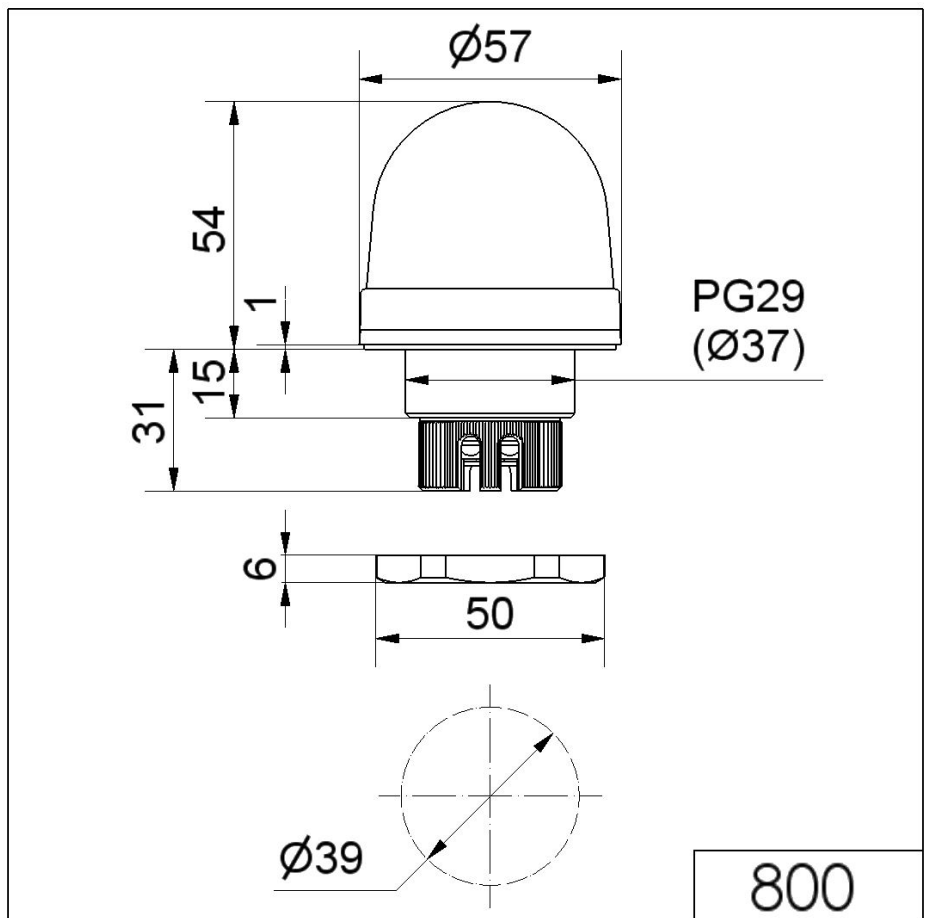
! For additional installation and mounting information, refer to the appropriate user guide at www.werma.com. This printed copy is for information only and is subject to alteration.

Mini installation beacon / Permanent Light 800

Permanent Beacon EM 12-230VAC/DC CL

| | |
|---------------------------|-----|
| EAC certificate available | Yes |
| Conforms with AS-I | No |
| ICAO Certification | No |
| Conforms with GL | No |
| Conforms with RoHS CN | No |
| Conforms with VdS | No |

DRAWING



! For additional installation and mounting information, refer to the appropriate user guide at www.werma.com. This printed copy is for information only and is subject to alteration.