

Automotive Rocker Switch

Q-10220

TYPE: **R13-232B6B**

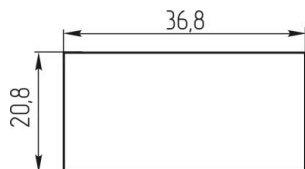
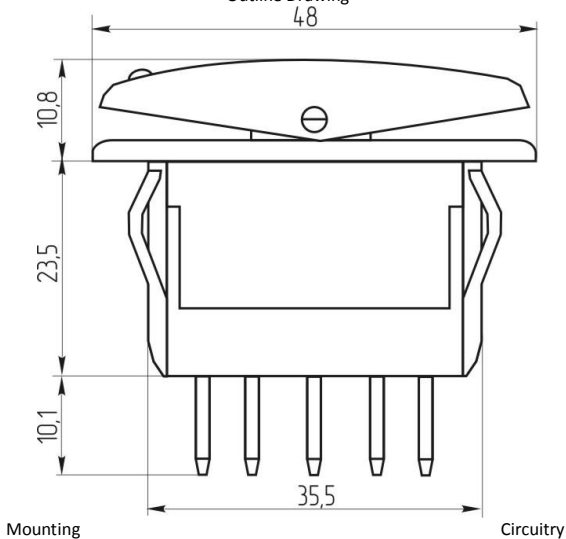
Rocker



SPECIFICATIONS

Rating: 21A 12V DC
 Contact R: 50mΩ max
 Insulation R: 500V DC 100MΩ min
 Dielectric Strength: 1 Minute 1500V AC
 Operating Temperature: -25°C ~ +85°C
 Electrical Life: 10, 000 Cycles

Outline Drawing



6P DPDT
(LED)

