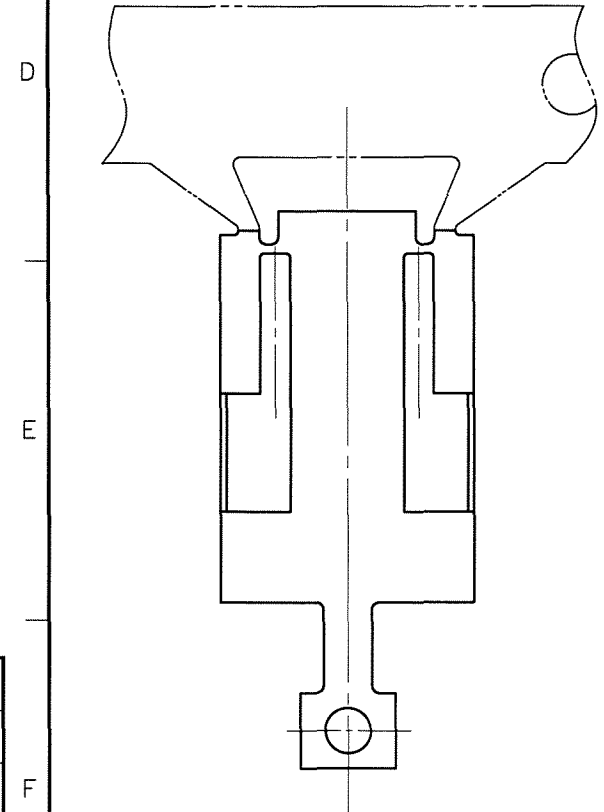
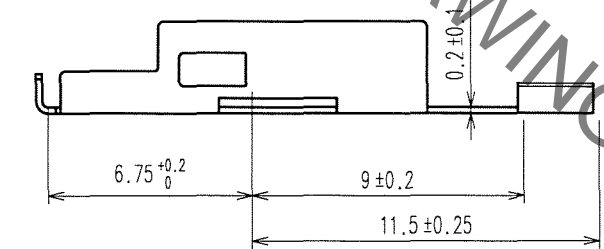
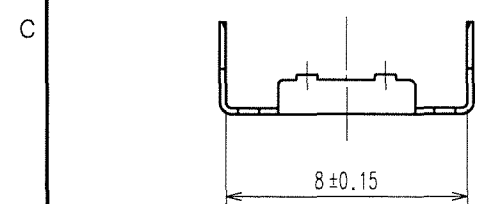
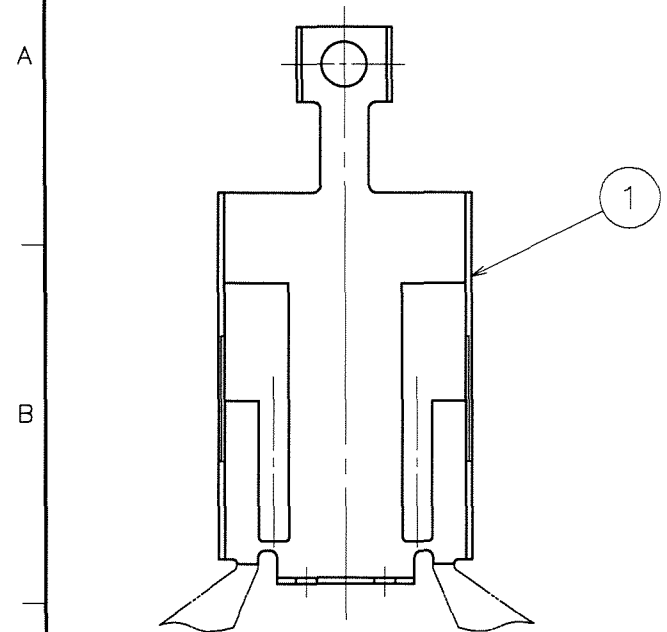
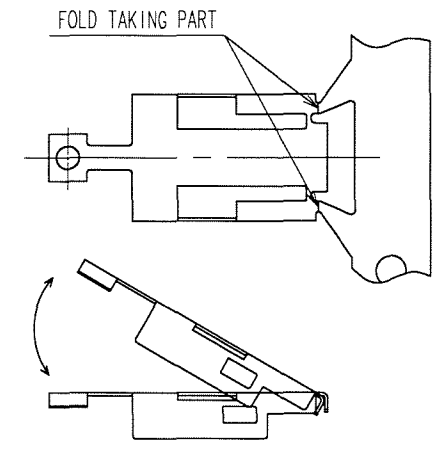


May.1.2021 Copyright 2021 HIROSE ELECTRIC CO., LTD. All Rights Reserved.
 In case of consideration for using Automotive equipment / device which demand high reliability, kindly contact our sales window correspondents.

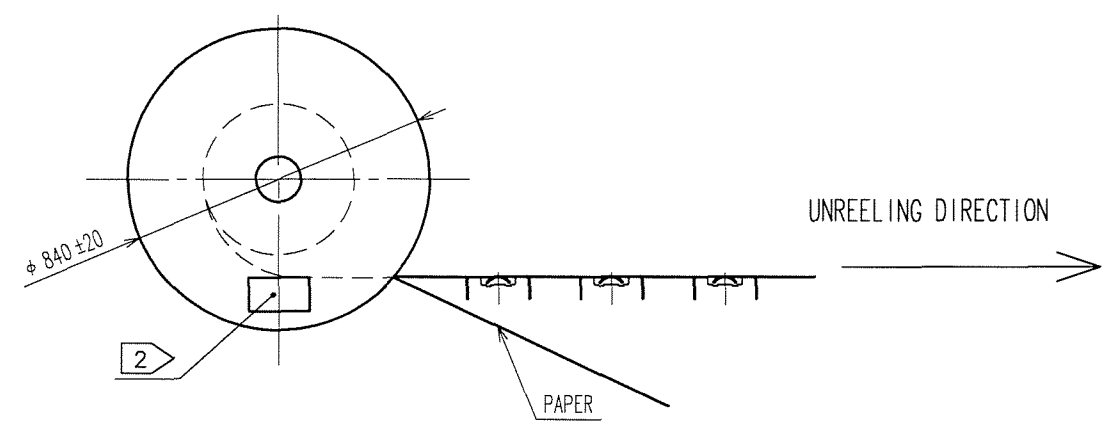
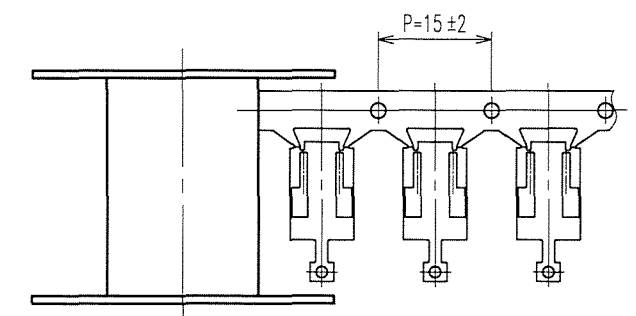
COUNT	DESCRIPTION OF REVISIONS	BY	CHKD	DATE	COUNT	DESCRIPTION OF REVISIONS	BY	CHKD	DATE
△				..	△				..
△				..	△				..
△				..	△				..



3 Fig-2 CUT OFF A CAREER(FREE)



1 Fig-1 REELING (FREE)



HRS DRAWING FOR REFERENCE

- NOTE
- 1 THIS IS DELIVERED BY A REEL.QTY:4000PCS.
 - 2 SHOWN ON A REEL AND A BOX IS ; *PART No. *, *CODE No. *, *LOT No. *, *QTY*
 - 3 CUT OFF A CAREER AS SHOWN IN FIG-2.

TO

NO.	MATERIAL	FINISH, REMARKS	NO.	MATERIAL	FINISH, REMARKS
			1	STAINLESS STEEL	
CODE NO. (OLD)			DRAWN	DESIGNED	CHECKED
			<i>M. Hingano</i>	<i>M. Hingano</i>	<i>K. Kikawa</i>
			07.10.16	07.10.16	07.10.16
			APPROVED	RELEASED	
			<i>[Signature]</i>	..	
SCALE	DRAWING NO.	PART NO.	CODE NO.		
4 : 1	EDC3-126576	ZX64-SLDB	CL242-0049-8		
UNITS	HRS HIROSE ELECTRIC CO., LTD		1/1		
mm					

Mouser Electronics

Authorized Distributor

Click to View Pricing, Inventory, Delivery & Lifecycle Information:

[Hirose Electric:](#)

[ZX64-SLDB](#)