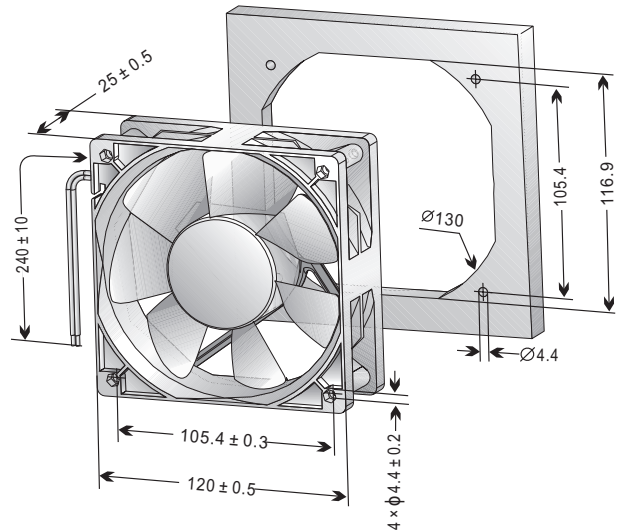
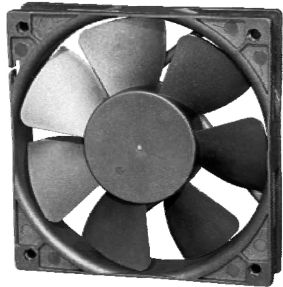


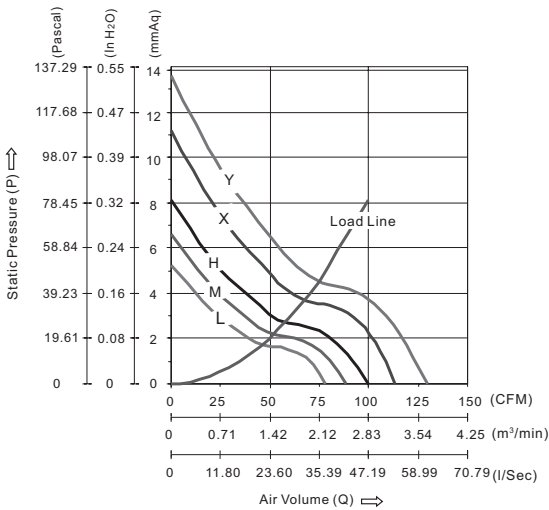
# R-SERIES

## 120 x 120 x 25 mm

Frame: Thermoplastic PBT (GF 30%), UL94-V0  
 Impeller: Thermoplastic PBT (GF 15%), UL94-V0  
 Bearing System: Ball Bearing or Sleeve Bearing  
 Lead Wire: UL 1007, AWG 24 / 240 mm, Red (+), Black (-)  
 Protection: Locked rotor protected for minimum 72 hours



### PQ GRAPH (AT RATED VOLTAGE)



### AVAILABLE FUNCTIONS

1a. IR	1b. AS	1c. MS	2a. FG	2b. RD	2c. RDb	2d. LD	3. SG/PWM
●	●		●	●	●	●	
4. OV	5a. TPWM	5b. RPWM	6. CL	7. CS	8a. VPWM	8b. IPWM	8c. PPWM
●	●	●	●	●	●	●	●

Part Number	Voltage (VDC)	Current (Amp.)	Power (Watts)	Speed (RPM)	Air Flow (Q)		Pressure (P)		Noise (dBA)	Unit Weight (QTY/CTN)
					(CFM)	(m <sup>3</sup> /min)	(mmAq)	(In H <sub>2</sub> O)		
R1225H05BPLBx-7	05 (04-06)	0.760	3.80	3250	99.47	2.817	8.11	0.319	43.02	212 g (40 pcs)
R1225M05BPLBx-7		0.603	3.02	2900	88.15	2.496	6.59	0.259	40.09	
R1225L05BPLBx-7		0.360	1.80	2600	78.16	2.213	5.25	0.207	37.19	
* R1225Y12BPLBx-7	12 (07-14)	0.720	8.64	4200	129.41	3.664	13.58	0.534	50.97	212 g (40 pcs)
R1225X12BPLBx-7		0.542	6.50	3750	113.47	3.213	11.17	0.440	48.45	
R1225H12BPLBx-7		0.340	4.08	3250	99.47	2.817	8.11	0.319	43.02	
R1225M12BPLBx-7		0.250	3.00	2900	88.15	2.496	6.59	0.259	40.09	
R1225L12BPLBx-7		0.181	2.17	2600	78.16	2.213	5.25	0.207	37.19	
* R1225Y24BPLBx-7	24 (15-27)	0.330	7.92	4200	129.41	3.664	13.58	0.534	50.97	212 g (40 pcs)
R1225X24BPLBx-7		0.260	6.24	3750	113.47	3.213	11.17	0.440	48.45	
R1225H24BPLBx-7		0.160	3.84	3250	99.47	2.817	8.11	0.319	43.02	
R1225M24BPLBx-7		0.125	2.99	2900	88.15	2.496	6.59	0.259	40.09	
R1225L24BPLBx-7		0.100	2.40	2600	78.16	2.213	5.25	0.207	37.19	
R1225Y48BPLBx-7	48 (30-57)	0.190	9.12	4200	129.41	3.664	13.58	0.534	50.97	212 g (40 pcs)
R1225X48BPLBx-7		0.130	6.24	3750	113.47	3.213	11.17	0.440	48.45	
R1225H48BPLBx-7		0.120	5.76	3250	99.47	2.817	8.11	0.319	43.02	
R1225M48BPLBx-7		0.085	4.08	2900	88.15	2.496	6.59	0.259	40.09	
R1225L48BPLBx-7		0.059	2.81	2600	78.16	2.213	5.25	0.207	37.19	

\* small quantities available ex stock

- All MICRONEL fans listed here refer to double ball bearing types; Sleeve bearing types may consume about 10% more power for the same speed.
- Noise Measurements are taken with background noise of 16.8 dBA.
- Please see «Function Legend» for explanation of each function.
- Specifications are subject to change without notice.