



Accessories Screw Connectors

ZEL 110 - universal, screwless strain relief clamp



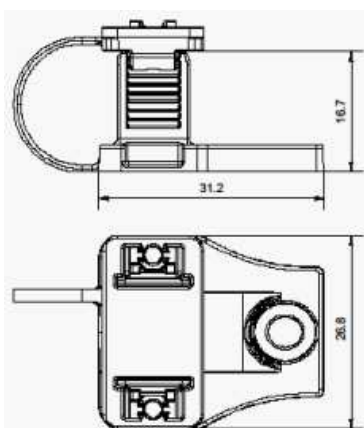
Technical data

Connection	screwless for conductors size \varnothing 5.0 - 12.0 mm
Fixing	by screw M4
Mouldings	polycarbonate white flammability rating to UL 94: V-0 continuous working temperature 125 °C short-time temperature 165 °C

Upon request

strain reliefs with catch pins (ZEL 100); further product variants [here](#)

For use with



LK 960 RZ	3 pole luminaire connectors, PE contact to the base plate
930-00	1 - 12 pole screwless terminal blocks without release key
930-02	1 - 12 pole screwless terminal blocks with 2 release keys
935	5 pole block connectors
937	7 pole block connectors
900-07	1 - 12 pole, with 2 screwless terminals per pole
900-07 DS	1 - 12 pole, with 2 screwless terminal per pole, with wire protector
900-07 RZ	1 - 12 pole, with 2 screwless terminals per pole, with catch pins
900-07 RZ DS	1 - 12 pole, with 2 screwless terminals per pole, with wire protector and catch pins
900 Q	1 - 12 pole, with 4 screwless terminals per pole
900 Q RZ	1 - 12 pole, with 4 screwless terminals, with catch pins
230 DS	Conductor size 2.5 mm ²
230 K DS	Conductor size 2.5 mm ² , raised base
500-31 DS	Conductor size 2.5 mm ² , fixing hole 3.1 mm
500-35 DS	Conductor size 2,5 mm ² , fixing hole 3.5 mm
500 K 35 DS	Conductor size 2.5 mm ² , fixing hole 3.5 mm, raised base
500 RZ DS	Conductor size 2.5 mm ² , catch pin fixing
500 LRZ DS	Conductor size 2.5 mm ² , elongated catch pins
1000 DS	Conductor size 6 mm ²
1000 K DS	Conductor size 6 mm ² , raised base
1500 DS	Conductor size 6 mm ²
2000 DS	Conductor size 10 mm ²
2000 K DS	Conductor size 10 mm ² , raised base
500-31 MDS	Conductor size 2.5 mm ² , fixing hole 3.1 mm
500-35 MDS	Conductor size 2,5 mm ² , fixing hole 3,5 mm
500 K 35 MDS	Conductor size 2.5 mm ² , fixing hole 3.5 mm, raised base
500 LRZ MDS	Conductor size 2.5 mm ² , elongated catch pins
500 SK II MDS	Conductor size 2.5 mm ² , protection class II
500 SKT II MDS	Conductor size 2.5 mm ² , protection class II, with insulating bushes for metal screws
1000 MDS	Conductor size 6 mm ²
1000 K MDS	Conductor size 6 mm ² , raised base
2000 MDS	Conductor size 10 mm ²
2000 K MDS	Conductor size 10 mm ² , raised base
230	Conductor size 4 mm ²
230 K	Conductor size 4 mm ² , raised base
500-31	Conductor size 6 mm ² , fixing hole 3.1 mm

500-35	Conductor size 6 mm ² , fixing hole 3.5 mm
500 K 35	Conductor size 6 mm ² , fixing hole 3.5 mm, raised base
500 RZ	Conductor size 6 mm ² , catch pin fixing
500 LRZ	Conductor size 6 mm ² , elongated catch pins
500 SK II	Conductor size 6 mm ² , protection class II
500 SKT II	Conductor size 6 mm ² , protection class II, with insulating bushes for metal screws
1000	Conductor size 10 mm ²
1000 K	Conductor size 10 mm ² , raised base
1500	Conductor size 10 mm ²
2000	Conductor size 16 mm ²
2000 K	Conductor size 16 mm ² , raised base
503 Si DS	Conductor size 2.5 mm ² , for fuse links 5x20
503 Si E DS	Conductor size 2,5 mm ² , for fuse links 5x20, with PE contact to the base plate
1003 Si DS	Conductor size 4 mm ² , for fuse links 6.3x25 (or 32)
1003 Si E DS	Conductor size 4 mm ² , for fuse links 6.3x25 (or 32), with PE contact to the base plate
503 Si	Conductor size 6 mm ² , for fuse links 5x20
503 Si E	Conductor size 6 mm ² , for fuse links 5x20, with PE contact to the base plate
1003 Si	Conductor size 10 mm ² , for fuse links 6.3x25 (or 32)
1003 Si E	Conductor size 10 mm ² , for fuse links 6.3x25 (or 32), with PE contact to the base plate
160 LF	1 - 12 pole, conductor size without wire protector 4 mm ² , for solder connection
160 LF DS	1 - 12 pole, conductor size with wire protector 2.5 mm ² , for solder connection

Order info

Description	Item	Order No.	PU
for screw fixing	ZEL 110	196420	500 >☞