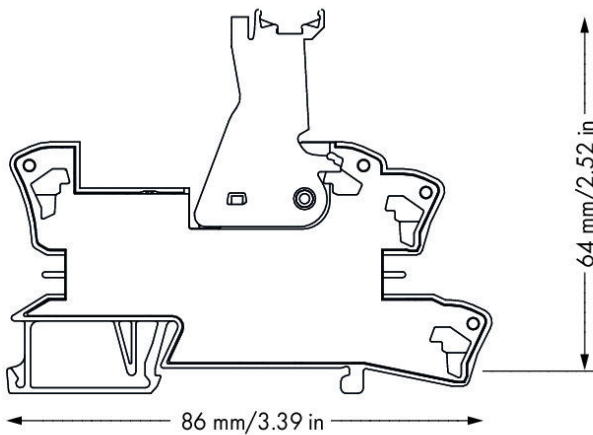
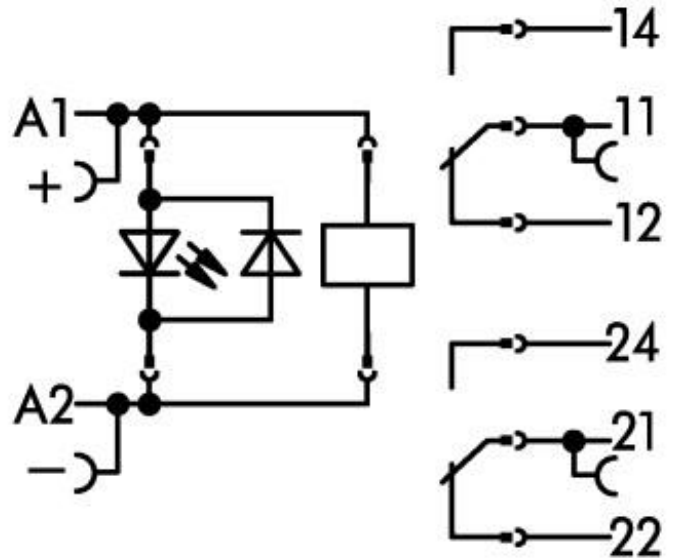
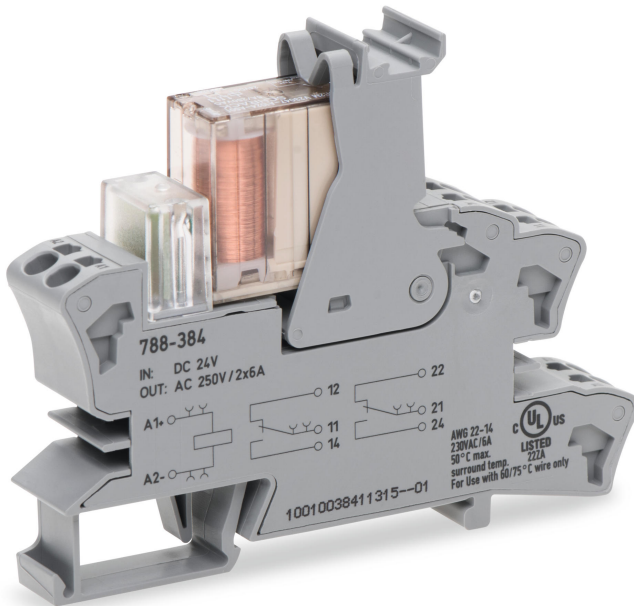


Relay socket with safety relay SR2M; with driven contacts and status indication; each 2 changeover contacts (2u); 24 VDC

www.wago.com/788-384



Item description

Note:

- Per EN 50205, it is only permitted to use 1 make contact / 1 break contact for safety circuits (11-14 and 22-21 or 12-11 and 21-24).
- Reinforced insulation between coil and contacts
- A separator plate (e.g., 209-191) must be used for voltages greater than 250 V between adjacent relay modules and for compliance with the reinforced insulation requirements.
- To protect the relay coils and contacts, inductive loads must be dampened with an effective protection circuit.

Data

Technical Data

Control circuit

Nominal input voltage U_N	24 VDC
Input voltage range	-15 ... +10 %
Nominal input current at U_N	31 mA

Load circuit:

Number of changeover/switchover contacts	2
Contact material	AgNi
Limiting continuous current	6 A
Max. make current (resistive)	4 Make current (resistive) duration 14 A (AC)
Max. switching voltage	250 VAC
Max. switching power (resistive)	1500 VAAC; DC see load limit curve
Switching capacity	AC-15: 3 A / 250 VAC; DC-13: 3 A / 24 VDC
Recommended minimum load	5 V / 10 mA
Pull-in time (typ.)	10 ms
Drop-out time (typ.)	4 ms
Electrical life (N.O.; resistive load; 23 °C)	100 x 10 ³ switching operations
Mechanical life (N.O.; resistive load; 23 °C)	10 x 10 ⁶ switching operations
Max. switching load with load/without load	6 Max. switching load with load / 300 Max. switching load without load

Signaling

Status indication	LED red
-------------------	---------

Safety and protection:

Rated voltage	250 V
Rated impulse voltage	4 kV
Pollution degree	3
Dielectric strength, control/load circuit (AC, 1 min)	4 kV _{rms}
Dielectric strength, control/load circuit (AC, 1 min)	4 kV _{rms}
Dielectric strength open contact (AC, 1 min)	1.5 kV _{rms}
Dielectric strength open contact (AC, 1 min)	1.5 kV _{rms}
Dielectric strength, load/load circuit (AC, 1 min)	3 kV _{rms}
Dielectric strength, load/load circuit (AC, 1 min)	3 kV _{rms}
Degree of protection	IP20

Connection data

Connection technology	Push-in CAGE CLAMP®
Solid conductor	0.34 ... 2.5 mm ² / 22 ... 14 AWG
Fine-stranded conductor	0.34 ... 2.5 mm ² / 22 ... 14 AWG
Strip length	9 ... 10 mm / 0.35 ... 0.39 Inch

Geometrical Data

Width	15 mm / 0.591 in
Height from upper-edge of DIN-35 rail	64 mm / 2.52 in
Depth	86 mm / 3.386 in

Mechanical data

Type of mounting	DIN-35 rail
------------------	-------------

Material Data

Color	gray
Fire load	0.943 MJ
Weight	50.3 g

Environmental Requirements

Permissible surrounding air (operating) temperature at U _N	-25 ... 75 °C
Surrounding air (storage) temperature	-40 ... 70 °C
Pollution degree	3



Standards and specifications

Standards/specifications

EN 61010-2-201; EN 61810-1; EN 61373; UL 508

Commercial data

Country of Origin

CN

GTIN

4055143184175

Product Group

6 (Interface Electronics)

UL-Approvals

Logo	Approval	Certificate name
	UL UL International Netherlands B.V. (ORDINARY LOCATIONS)	E175199 Sec.6

Subject to changes.

WAGO Kontakttechnik GmbH & Co. KG
Hansastr. 27
32423 Minden
Phone: +49571 887-0 | Fax: +49571 887-169
Email: info.de@wago.com | Web: www.wago.com

Do you have any questions about our products?
We are always happy to take your call at 01788 568 008.