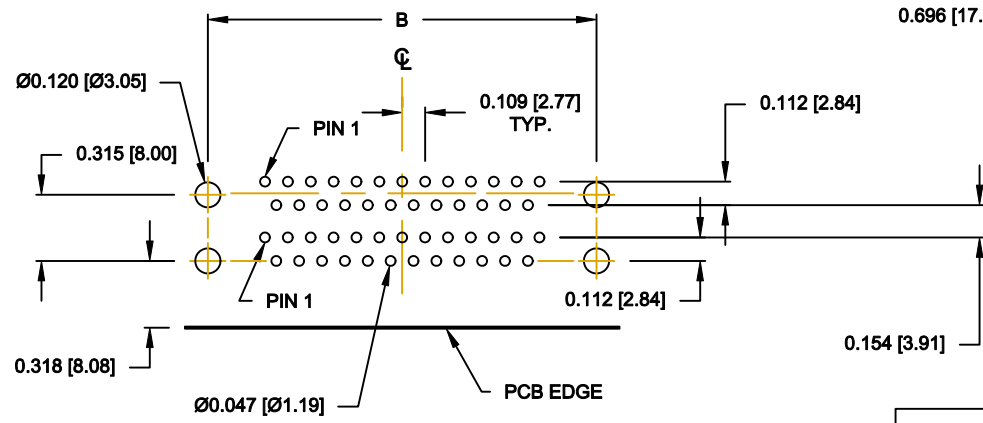
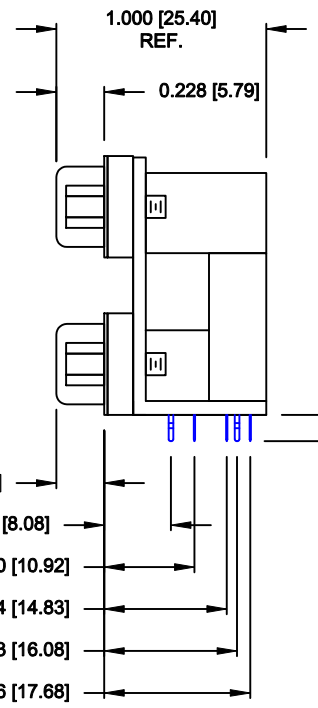
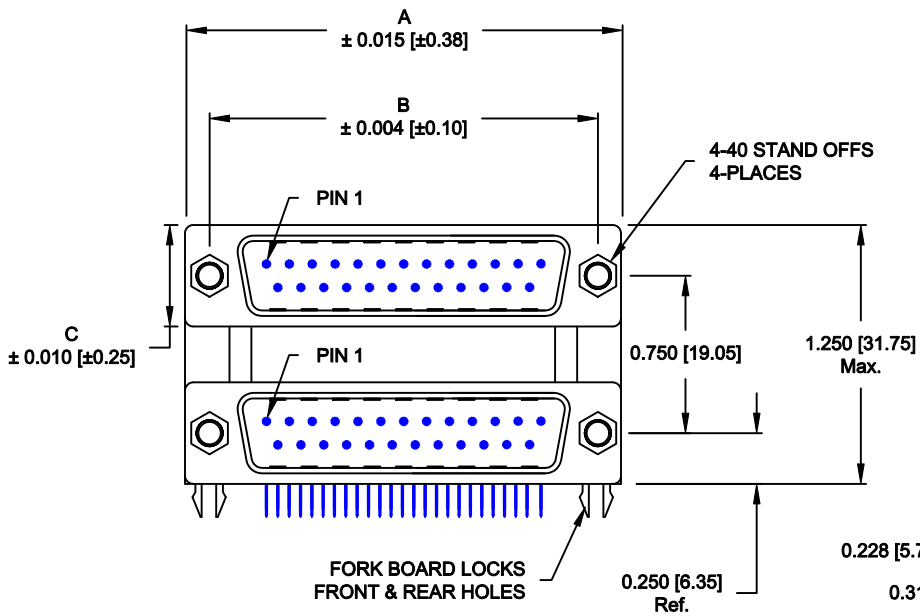


DESCRIPTION: 0.750 [19.05] CENTER DUAL PORT D-SUB - MALE OVER MALE

25 PIN SHOWN

| DIMENSIONS - INCHES [MM] | | | | |
|--------------------------|---------------|---------------|---------------|---------------|
| POS | 9 | 15 | 25 | 37 |
| A | 1.204 [30.58] | 1.535 [38.99] | 2.078 [52.78] | 2.724 [69.19] |
| B | 0.984 [24.99] | 1.312 [33.32] | 1.850 [46.99] | 2.500 [63.50] |
| C | 0.494 [12.55] | 0.494 [12.55] | 0.494 [12.55] | 0.494 [12.55] |



SPECIFICATION:

MATERIAL:

SHELL: STEEL, NICKEL PLATED
 INSULATOR: UL 94V-0 RATED, BLACK PA9T, 260° PROCESS TEMP.
 CONTACTS: BRASS
 CONTACT PLATING: GOLD PLATED ENTIRE CONTACT

ELECTRICAL:

INSULATOR RESISTANCE: 1,000 Ohms Min.
 DIELECTRIC STRENGTH: 1,000VAC RMS
 CURRENT RATING: 5 AMPS
 OPERATING TEMPERATURE: -55° C TO 105° C

178-YYY-613R571

SERIES

POSITIONS

- 009
- 015
- 025
- 037

GENDER

- 31 = FEMALE OVER MALE
- 41 = MALE OVER FEMALE
- 51 = FEMALE OVER FEMALE
- 61 = MALE OVER MALE

SHELL PLATING

- 3 = NICKEL

RoHS COMPLIANT (HIGH TEMP. PROCESS)

HARDWARE OPTIONS

- 57 = 4-40 STAND OFFS/BOARD LOCKS

PLATING OPTIONS

- 1 = GOLD FLASH (ENTIRE CONTACT)
- A = 30u" GOLD MATING AREA/GOLD FLASH TAILS
- 9 = 30u" GOLD MATING AREA/TIN TAILS

DO NOT SCALE FROM DRAWING



THESE DRAWINGS AND SPECIFICATIONS ARE THE PROPERTY OF NorComp AND SHALL NOT BE REPRODUCED, COPIED OR USED AS THE BASIS FOR THE MANUFACTURE OR SALE OF APPARATUS WITHOUT WRITTEN PERMISSION.

DRAWN: C. SMITH DATE: 03-30-07

CHECKED: DATE:

SCALE: 1:1 SHEET 1 OF 1 REV 6

DWG NO. 178-YYY-613R571

NorComp

RoHS COMPLIANT

Mouser Electronics

Authorized Distributor

Click to View Pricing, Inventory, Delivery & Lifecycle Information:

[NorComp:](#)

[178-009-613R571](#) [178-015-613R571](#) [178-025-613R571](#) [178-037-613R571](#)