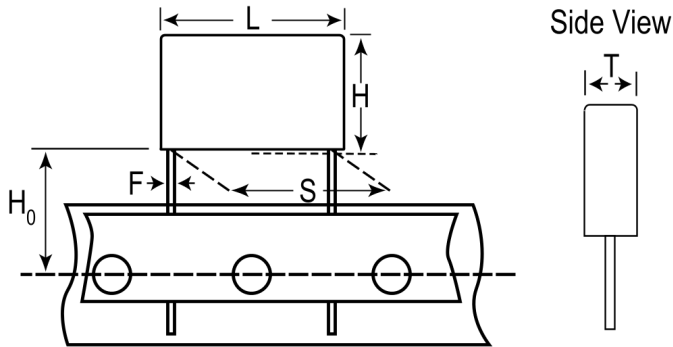


PME261EA5100KR19T0

Aliases (P561HL103K300L)

PME261/P561, Film, Metallized Paper, General Purpose, 0.01 uF, 10%, 630 VDC, 85°C, Lead Spacing = 10.2mm



Click [here](#) for the 3D model.

Dimensions

| | |
|----------------|--------------------|
| L | 13.5mm -0.5mm |
| H | 10.5mm -0.5mm |
| T | 5.1mm -0.5mm |
| S | 10.2mm +0.6/-0.1mm |
| H ₀ | 18.5mm +/-0.5mm |
| F | 0.6mm +/-0.05mm |

Packaging Specifications

| | |
|--------------------|-----|
| Packaging | T&R |
| Packaging Quantity | 600 |

General Information

| | |
|------------------|--|
| Series | PME261/P561 |
| Dielectric | Metallized Paper |
| Style | Radial |
| Features | Pulse in DC and low frequency applications |
| RoHS | Yes |
| Lead | Wire Leads |
| AEC-Q200 | No |
| Construction | Molded |
| Component Weight | 1.08 g |
| Miscellaneous | AC Operation: 70C MAX. |

Specifications

| | |
|-----------------------|------------|
| Capacitance | 0.01 uF |
| Capacitance Tolerance | 10% |
| Voltage AC | 300 VAC |
| Voltage DC | 630 VDC |
| Temperature Range | -40/+100°C |
| Rated Temperature | 85°C |
| Dissipation Factor | 1.3% 1kHz |
| Insulation Resistance | 12 GOhms |
| Max dV/dt | 2000 V/us |