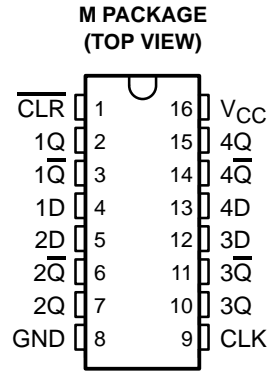


- AC Types Feature 1.5-V to 5.5-V Operation and Balanced Noise Immunity at 30% of the Supply Voltage
- Buffered Inputs
- Contains Four Flip-Flops With Double-Rail Outputs
- Speed of Bipolar F, AS, and S, With Significantly Reduced Power Consumption
- Balanced Propagation Delays
- ±24-mA Output Drive Current
  - Fanout to 15 F Devices
- SCR-Latchup-Resistant CMOS Process and Circuit Design
- Exceeds 2-kV ESD Protection Per MIL-STD-883, Method 3015
- Applications Include:
  - Buffer/Storage Registers
  - Shift Registers
  - Pattern Generators



**description/ordering information**

This positive-edge-triggered D-type flip-flop has a direct clear ( $\overline{\text{CLR}}$ ) input. The CD74AC175 features complementary outputs from each flip-flop.

Information at the data (D) inputs meeting the setup time requirements is transferred to the outputs on the positive-going edge of the clock (CLK) pulse. Clock triggering occurs at a particular voltage level and is not directly related to the transition time of the positive-going edge of CLK. When CLK is at either the high or low level, the D input has no effect at the output.

**ORDERING INFORMATION**

T <sub>A</sub>	PACKAGE†	ORDERABLE PART NUMBER	TOP-SIDE MARKING
–55°C to 125°C	SOIC – M	Tube	CD74AC175M
		Tape and reel	CD74AC175M96
			AC175M

† Package drawings, standard packing quantities, thermal data, symbolization, and PCB design guidelines are available at [www.ti.com/sc/package](http://www.ti.com/sc/package).

**FUNCTION TABLE**  
(each flip-flop)

INPUTS			OUTPUTS	
$\overline{\text{CLR}}$	CLK	D	Q	$\overline{\text{Q}}$
L	X	X	L	H
H	↑	H	H	L
H	↑	L	L	H
H	L	X	Q <sub>0</sub>	$\overline{\text{Q}}_0$

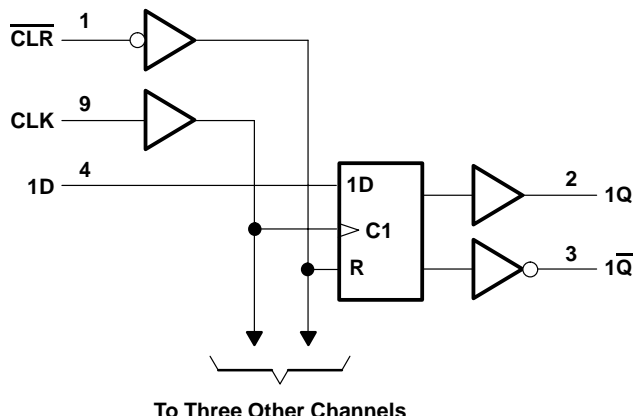


Please be aware that an important notice concerning availability, standard warranty, and use in critical applications of Texas Instruments semiconductor products and disclaimers thereto appears at the end of this data sheet.

# CD74AC175 QUADRUPLE D-TYPE FLIP-FLOP WITH CLEAR

SCHS347 – APRIL 2003

## logic diagram (positive logic)



## absolute maximum ratings over operating free-air temperature range (unless otherwise noted)†

Supply voltage range, $V_{CC}$	.....	-0.5 V to 6 V
Input clamp current, $I_{IK}$ ( $V_I < 0$ V or $V_I > V_{CC}$ ) (see Note 1)	.....	$\pm 20$ mA
Output clamp current, $I_{OK}$ ( $V_O < 0$ V or $V_O > V_{CC}$ ) (see Note 1)	.....	$\pm 50$ mA
Continuous output current, $I_O$ ( $V_O > 0$ V or $V_O < V_{CC}$ )	.....	$\pm 50$ mA
Continuous current through $V_{CC}$ or GND	.....	$\pm 200$ mA
Package thermal impedance, $\theta_{JA}$ (see Note 2)	.....	73°C/W
Storage temperature range, $T_{stg}$	.....	-65°C to 150°C

† Stresses beyond those listed under “absolute maximum ratings” may cause permanent damage to the device. These are stress ratings only, and functional operation of the device at these or any other conditions beyond those indicated under “recommended operating conditions” is not implied. Exposure to absolute-maximum-rated conditions for extended periods may affect device reliability.

- NOTES: 1. The input and output voltage ratings may be exceeded if the input and output current ratings are observed.  
2. The package thermal impedance is calculated in accordance with JESD 51-7.

## recommended operating conditions (see Note 3)

		$T_A = 25^\circ\text{C}$		$-55^\circ\text{C to } 125^\circ\text{C}$		$-40^\circ\text{C to } 85^\circ\text{C}$		UNIT
		MIN	MAX	MIN	MAX	MIN	MAX	
$V_{CC}$	Supply voltage	1.5	5.5	1.5	5.5	1.5	5.5	V
$V_{IH}$	High-level input voltage	$V_{CC} = 1.5$ V		1.2		1.2		V
		$V_{CC} = 3$ V		2.1		2.1		
		$V_{CC} = 5.5$ V		3.85		3.85		
$V_{IL}$	Low-level input voltage	$V_{CC} = 1.5$ V		0.3		0.3		V
		$V_{CC} = 3$ V		0.9		0.9		
		$V_{CC} = 5.5$ V		1.65		1.65		
$V_I$	Input voltage	0	$V_{CC}$	0	$V_{CC}$	0	$V_{CC}$	V
$V_O$	Output voltage	0	$V_{CC}$	0	$V_{CC}$	0	$V_{CC}$	V
$I_{OH}$	High-level output current	$V_{CC} = 4.5$ V to 5.5 V		-24		-24		mA
$I_{OL}$	Low-level output current	$V_{CC} = 4.5$ V to 5.5 V		24		24		
$\Delta t/\Delta v$	Input transition rise or fall rate	$V_{CC} = 1.5$ V to 3 V		50		50		ns/V
		$V_{CC} = 3.6$ V to 5.5 V		20		20		

NOTE 3: All unused inputs of the device must be held at  $V_{CC}$  or GND to ensure proper device operation. Refer to the TI application report, *Implications of Slow or Floating CMOS Inputs*, literature number SCBA004.



POST OFFICE BOX 655303 • DALLAS, TEXAS 75265

**electrical characteristics over recommended operating free-air temperature range (unless otherwise noted)**

PARAMETER	TEST CONDITIONS		V <sub>CC</sub>	T <sub>A</sub> = 25°C		–55°C to 125°C		–40°C to 85°C		UNIT
				MIN	MAX	MIN	MAX	MIN	MAX	
V <sub>OH</sub>	V <sub>I</sub> = V <sub>IH</sub> or V <sub>IL</sub>	I <sub>OH</sub> = –50 μA	1.5 V	1.4	1.4	1.4			V	
			3 V	2.9	2.9	2.9				
			4.5 V	4.4	4.4	4.4				
		I <sub>OH</sub> = –4 mA	3 V	2.58	2.4	2.48				
		I <sub>OH</sub> = –24 mA	4.5 V	3.94	3.7	3.8				
		I <sub>OH</sub> = –50 mA†	5.5 V		3.85					
		I <sub>OH</sub> = –75 mA†	5.5 V			3.85				
V <sub>OL</sub>	V <sub>I</sub> = V <sub>IH</sub> or V <sub>IL</sub>	I <sub>OL</sub> = 50 μA	1.5 V		0.1	0.1		0.1	V	
			3 V		0.1	0.1		0.1		
			4.5 V		0.1	0.1		0.1		
		I <sub>OL</sub> = 12 mA	3 V		0.36	0.5		0.44		
		I <sub>OL</sub> = 24 mA	4.5 V		0.36	0.5		0.44		
		I <sub>OL</sub> = 50 mA†	5.5 V			1.65				
		I <sub>OL</sub> = 75 mA†	5.5 V				1.65			
I <sub>I</sub>	V <sub>I</sub> = V <sub>CC</sub> or GND		5.5 V		±0.1	±1		±1	μA	
I <sub>CC</sub>	V <sub>I</sub> = V <sub>CC</sub> or GND, I <sub>O</sub> = 0		5.5 V		8	160		80	μA	
C <sub>i</sub>					10	10		10	pF	

† Test one output at a time, not exceeding 1-second duration. Measurement is made by forcing indicated current and measuring voltage to minimize power dissipation. Test verifies a minimum 50-Ω transmission-line drive capability at 85°C and 75-Ω transmission-line drive capability at 125°C.

**timing requirements over recommended operating free-air temperature range, V<sub>CC</sub> = 1.5 V (unless otherwise noted)**

		–55°C to 125°C		–40°C to 85°C		UNIT
		MIN	MAX	MIN	MAX	
f <sub>clock</sub>	Clock frequency		8		9	MHz
t <sub>w</sub>	Pulse duration	CLR low		50	44	ns
		CLK high or low		63	55	
t <sub>su</sub>	Setup time before CLK↑	Data		2	2	ns
t <sub>h</sub>	Hold time, data after CLK↑			2	2	ns
t <sub>rec</sub>	Recovery time, before CLK↑	CLR↑		1	1	ns

**CD74AC175**  
**QUADRUPLE D-TYPE FLIP-FLOP**  
**WITH CLEAR**

SCHS347 – APRIL 2003

**timing requirements over recommended operating free-air temperature range,  $V_{CC} = 3.3 V \pm 0.3 V$  (unless otherwise noted)**

		-55°C to 125°C		-40°C to 85°C		UNIT
		MIN	MAX	MIN	MAX	
$f_{clock}$	Clock frequency	71		81		MHz
$t_w$	Pulse duration	CLR low		5.6	4.9	ns
		CLK high or low		7	6.1	
$t_{su}$	Setup time before CLK↑	Data		2	2	ns
$t_h$	Hold time, data after CLK↑			2	2	ns
$t_{rec}$	Recovery time, before CLK↑	CLR↑		1	1	ns

**timing requirements over recommended operating free-air temperature range,  $V_{CC} = 5 V \pm 0.5 V$  (unless otherwise noted)**

		-55°C to 125°C		-40°C to 85°C		UNIT
		MIN	MAX	MIN	MAX	
$f_{clock}$	Clock frequency	100		114		MHz
$t_w$	Pulse duration	CLR low		4	3.5	ns
		CLK high or low		5	4.4	
$t_{su}$	Setup time before CLK↑	Data		2	2	ns
$t_h$	Hold time, data after CLK↑			2	2	ns
$t_{rec}$	Recovery time, before CLK↑	CLR↑		1	1	ns

**switching characteristics over recommended operating free-air temperature range,  $V_{CC} = 1.5 V$ ,  $C_L = 50 pF$  (unless otherwise noted) (see Figure 1)**

PARAMETER	FROM (INPUT)	TO (OUTPUT)	-55°C to 125°C		-40°C to 85°C		UNIT
			MIN	MAX	MIN	MAX	
$f_{max}$			8		9		MHz
$t_{PLH}$	CLK	Any Q	153		139		ns
$t_{PHL}$			153		139		
$t_{PLH}$	CLR	Any Q	153		139		ns
$t_{PHL}$			153		139		

**switching characteristics over recommended operating free-air temperature range,  $V_{CC} = 3.3 V \pm 0.3 V$ ,  $C_L = 50 pF$  (unless otherwise noted) (see Figure 1)**

PARAMETER	FROM (INPUT)	TO (OUTPUT)	-55°C to 125°C		-40°C to 85°C		UNIT
			MIN	MAX	MIN	MAX	
$f_{max}$			71		81		MHz
$t_{PLH}$	CLK	Any Q	4.3	17.1	4.4	15.5	ns
$t_{PHL}$			4.3	17.1	4.4	15.5	
$t_{PLH}$	CLR	Any Q	4.3	17.1	4.4	15.5	ns
$t_{PHL}$			4.3	17.1	4.4	15.5	



switching characteristics over recommended operating free-air temperature range,  
 $V_{CC} = 5\text{ V} \pm 0.5\text{ V}$ ,  $C_L = 50\text{ pF}$  (unless otherwise noted) (see Figure 1)

PARAMETER	FROM (INPUT)	TO (OUTPUT)	–55°C to 125°C		–40°C to 85°C		UNIT
			MIN	MAX	MIN	MAX	
$f_{max}$			100		114		MHz
$t_{PLH}$	CLK	Any Q	3.1	12.2	3.2	11.1	ns
$t_{PHL}$			3.1	12.2	3.2	11.1	
$t_{PLH}$	$\overline{\text{CLR}}$	Any Q	3.1	12.2	3.2	11.1	ns
$t_{PHL}$			3.1	12.2	3.2	11.1	

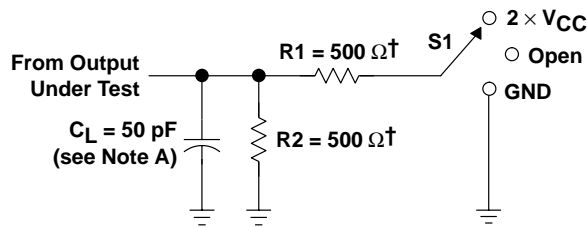
operating characteristics,  $V_{CC} = 5\text{ V}$ ,  $T_A = 25^\circ\text{C}$

PARAMETER		TYP	UNIT
$C_{pd}$	Power dissipation capacitance	55	pF

# CD74AC175 QUADRUPLE D-TYPE FLIP-FLOP WITH CLEAR

SCHS347 – APRIL 2003

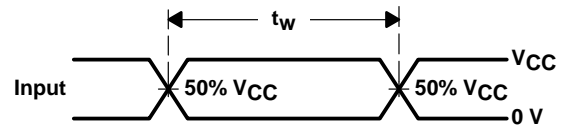
## PARAMETER MEASUREMENT INFORMATION



† When  $V_{CC} = 1.5\text{ V}$ ,  $R1 = R2 = 1\text{ k}\Omega$

LOAD CIRCUIT

TEST	S1
$t_{PLH}/t_{PHL}$	Open
$t_{PLZ}/t_{PZL}$	$2 \times V_{CC}$
$t_{PHZ}/t_{PZH}$	GND



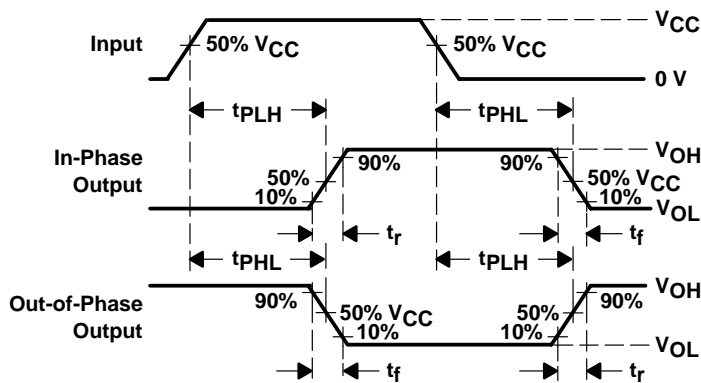
VOLTAGE WAVEFORMS  
PULSE DURATION



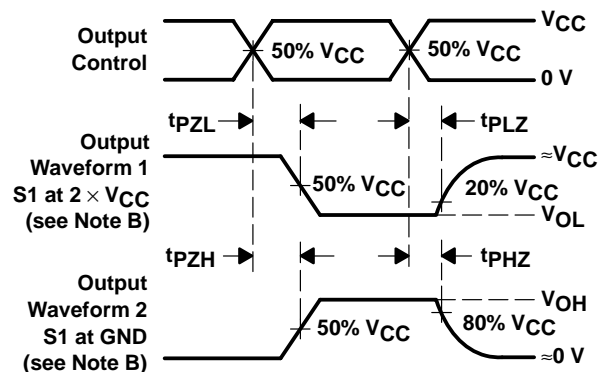
VOLTAGE WAVEFORMS  
RECOVERY TIME



VOLTAGE WAVEFORMS  
SETUP AND HOLD AND INPUT RISE AND FALL TIMES



VOLTAGE WAVEFORMS  
PROPAGATION DELAY AND OUTPUT TRANSITION TIMES



VOLTAGE WAVEFORMS  
OUTPUT ENABLE AND DISABLE TIMES

- NOTES:
- $C_L$  includes probe and test-fixture capacitance.
  - Waveform 1 is for an output with internal conditions such that the output is low except when disabled by the output control. Waveform 2 is for an output with internal conditions such that the output is high except when disabled by the output control.
  - All input pulses are supplied by generators having the following characteristics:  $PRR \leq 1\text{ MHz}$ ,  $Z_O = 50\ \Omega$ ,  $t_r = 3\text{ ns}$ ,  $t_f = 3\text{ ns}$ . Phase relationships between waveforms are arbitrary.
  - For clock inputs,  $f_{max}$  is measured with the input duty cycle at 50%.
  - The outputs are measured one at a time with one input transition per measurement.
  - $t_{PLH}$  and  $t_{PHL}$  are the same as  $t_{pd}$ .
  - $t_{PZL}$  and  $t_{PZH}$  are the same as  $t_{en}$ .
  - $t_{PLZ}$  and  $t_{PHZ}$  are the same as  $t_{dis}$ .
  - All parameters and waveforms are not applicable to all devices.

Figure 1. Load Circuit and Voltage Waveforms

**PACKAGING INFORMATION**

Orderable Device	Status (1)	Package Type	Package Drawing	Pins	Package Qty	Eco Plan (2)	Lead finish/ Ball material (6)	MSL Peak Temp (3)	Op Temp (°C)	Device Marking (4/5)	Samples
CD74AC175M	ACTIVE	SOIC	D	16	40	RoHS & Green	NIPDAU	Level-1-260C-UNLIM	-55 to 125	AC175M	<a href="#">Samples</a>
CD74AC175M96	ACTIVE	SOIC	D	16	2500	RoHS & Green	NIPDAU	Level-1-260C-UNLIM	-55 to 125	AC175M	<a href="#">Samples</a>
CD74AC175M96E4	ACTIVE	SOIC	D	16	2500	RoHS & Green	NIPDAU	Level-1-260C-UNLIM	-55 to 125	AC175M	<a href="#">Samples</a>
CD74AC175M96G4	ACTIVE	SOIC	D	16	2500	RoHS & Green	NIPDAU	Level-1-260C-UNLIM	-55 to 125	AC175M	<a href="#">Samples</a>
CD74AC175ME4	ACTIVE	SOIC	D	16	40	RoHS & Green	NIPDAU	Level-1-260C-UNLIM	-55 to 125	AC175M	<a href="#">Samples</a>

(1) The marketing status values are defined as follows:

**ACTIVE:** Product device recommended for new designs.

**LIFEBUY:** TI has announced that the device will be discontinued, and a lifetime-buy period is in effect.

**NRND:** Not recommended for new designs. Device is in production to support existing customers, but TI does not recommend using this part in a new design.

**PREVIEW:** Device has been announced but is not in production. Samples may or may not be available.

**OBSELETE:** TI has discontinued the production of the device.

(2) **RoHS:** TI defines "RoHS" to mean semiconductor products that are compliant with the current EU RoHS requirements for all 10 RoHS substances, including the requirement that RoHS substance do not exceed 0.1% by weight in homogeneous materials. Where designed to be soldered at high temperatures, "RoHS" products are suitable for use in specified lead-free processes. TI may reference these types of products as "Pb-Free".

**RoHS Exempt:** TI defines "RoHS Exempt" to mean products that contain lead but are compliant with EU RoHS pursuant to a specific EU RoHS exemption.

**Green:** TI defines "Green" to mean the content of Chlorine (Cl) and Bromine (Br) based flame retardants meet JS709B low halogen requirements of <=1000ppm threshold. Antimony trioxide based flame retardants must also meet the <=1000ppm threshold requirement.

(3) MSL, Peak Temp. - The Moisture Sensitivity Level rating according to the JEDEC industry standard classifications, and peak solder temperature.

(4) There may be additional marking, which relates to the logo, the lot trace code information, or the environmental category on the device.

(5) Multiple Device Markings will be inside parentheses. Only one Device Marking contained in parentheses and separated by a "~" will appear on a device. If a line is indented then it is a continuation of the previous line and the two combined represent the entire Device Marking for that device.

(6) Lead finish/Ball material - Orderable Devices may have multiple material finish options. Finish options are separated by a vertical ruled line. Lead finish/Ball material values may wrap to two lines if the finish value exceeds the maximum column width.

**Important Information and Disclaimer:** The information provided on this page represents TI's knowledge and belief as of the date that it is provided. TI bases its knowledge and belief on information provided by third parties, and makes no representation or warranty as to the accuracy of such information. Efforts are underway to better integrate information from third parties. TI has taken and continues to take reasonable steps to provide representative and accurate information but may not have conducted destructive testing or chemical analysis on incoming materials and chemicals. TI and TI suppliers consider certain information to be proprietary, and thus CAS numbers and other limited information may not be available for release.

In no event shall TI's liability arising out of such information exceed the total purchase price of the TI part(s) at issue in this document sold by TI to Customer on an annual basis.



**TAPE AND REEL INFORMATION**

**QUADRANT ASSIGNMENTS FOR PIN 1 ORIENTATION IN TAPE**


\*All dimensions are nominal

Device	Package Type	Package Drawing	Pins	SPQ	Reel Diameter (mm)	Reel Width W1 (mm)	A0 (mm)	B0 (mm)	K0 (mm)	P1 (mm)	W (mm)	Pin1 Quadrant
CD74AC175M96	SOIC	D	16	2500	330.0	16.4	6.5	10.3	2.1	8.0	16.0	Q1

**TAPE AND REEL BOX DIMENSIONS**


\*All dimensions are nominal

Device	Package Type	Package Drawing	Pins	SPQ	Length (mm)	Width (mm)	Height (mm)
CD74AC175M96	SOIC	D	16	2500	340.5	336.1	32.0

D (R-PDSO-G16)

PLASTIC SMALL OUTLINE



- NOTES:
- A. All linear dimensions are in inches (millimeters).
  - B. This drawing is subject to change without notice.
  - C. Body length does not include mold flash, protrusions, or gate burrs. Mold flash, protrusions, or gate burrs shall not exceed 0.006 (0,15) each side.
  - D. Body width does not include interlead flash. Interlead flash shall not exceed 0.017 (0,43) each side.
  - E. Reference JEDEC MS-012 variation AC.

D (R-PDSO-G16)

PLASTIC SMALL OUTLINE



- NOTES:
- All linear dimensions are in millimeters.
  - This drawing is subject to change without notice.
  - Publication IPC-7351 is recommended for alternate designs.
  - Laser cutting apertures with trapezoidal walls and also rounding corners will offer better paste release. Customers should contact their board assembly site for stencil design recommendations. Refer to IPC-7525 for other stencil recommendations.
  - Customers should contact their board fabrication site for solder mask tolerances between and around signal pads.

## IMPORTANT NOTICE AND DISCLAIMER

TI PROVIDES TECHNICAL AND RELIABILITY DATA (INCLUDING DATASHEETS), DESIGN RESOURCES (INCLUDING REFERENCE DESIGNS), APPLICATION OR OTHER DESIGN ADVICE, WEB TOOLS, SAFETY INFORMATION, AND OTHER RESOURCES "AS IS" AND WITH ALL FAULTS, AND DISCLAIMS ALL WARRANTIES, EXPRESS AND IMPLIED, INCLUDING WITHOUT LIMITATION ANY IMPLIED WARRANTIES OF MERCHANTABILITY, FITNESS FOR A PARTICULAR PURPOSE OR NON-INFRINGEMENT OF THIRD PARTY INTELLECTUAL PROPERTY RIGHTS.

These resources are intended for skilled developers designing with TI products. You are solely responsible for (1) selecting the appropriate TI products for your application, (2) designing, validating and testing your application, and (3) ensuring your application meets applicable standards, and any other safety, security, or other requirements. These resources are subject to change without notice. TI grants you permission to use these resources only for development of an application that uses the TI products described in the resource. Other reproduction and display of these resources is prohibited. No license is granted to any other TI intellectual property right or to any third party intellectual property right. TI disclaims responsibility for, and you will fully indemnify TI and its representatives against, any claims, damages, costs, losses, and liabilities arising out of your use of these resources.

TI's products are provided subject to TI's Terms of Sale (<https://www.ti.com/legal/termsofsale.html>) or other applicable terms available either on [ti.com](https://www.ti.com) or provided in conjunction with such TI products. TI's provision of these resources does not expand or otherwise alter TI's applicable warranties or warranty disclaimers for TI products.

Mailing Address: Texas Instruments, Post Office Box 655303, Dallas, Texas 75265  
Copyright © 2021, Texas Instruments Incorporated