

Board Level Cooling – Square Basket 5690



BOARD LEVEL COOLING – Square Basket 5690

Square Basket 5690 is a series of square basket board level heat sinks designed to cool LED, TO-3, and TO-220 devices. Representative image only.

ORDERING INFORMATION

| Part Number | Device Type |
|---------------|-------------|
| 569000B00000G | LED |
| 569003B00000G | TO-3 |
| 569022B00000G | TO-220 |



HEAT SINK DETAILS

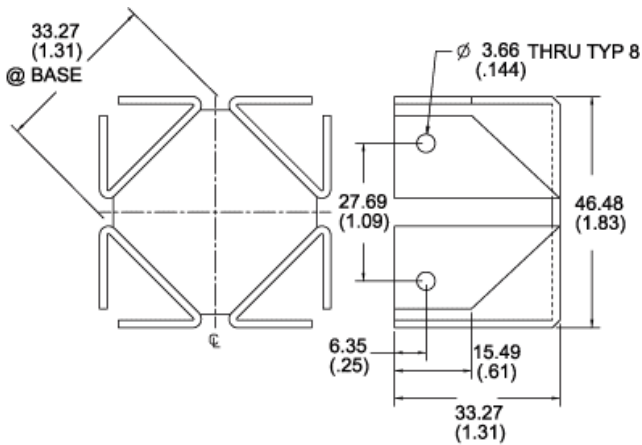
| Property | Details |
|----------------------------|-----------------------|
| Material | Aluminum |
| Finish | Black Anodize |
| Device Attachment Options | Requires Mounting Kit |
| Thermal Interface Material | - |

| Property | Details |
|------------------------------|------------|
| Heat Sink Width (mm) | 46.48 |
| Heat Sink Length (mm) | 46.48 |
| Heat Sink Height (mm) | 33.27 |
| Heat Sink Mounting Direction | Horizontal |

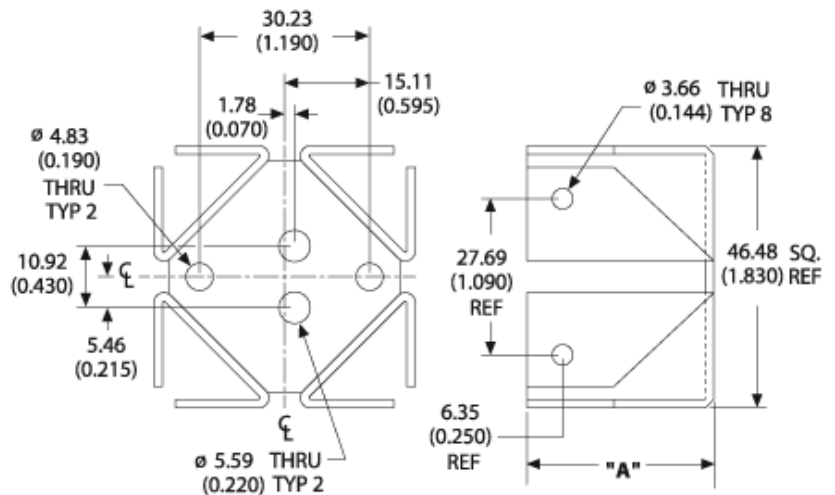
MECHANICAL & PERFORMANCE

Drawing dimensions are shown in mm, (in)

Part Number 569000B00000G

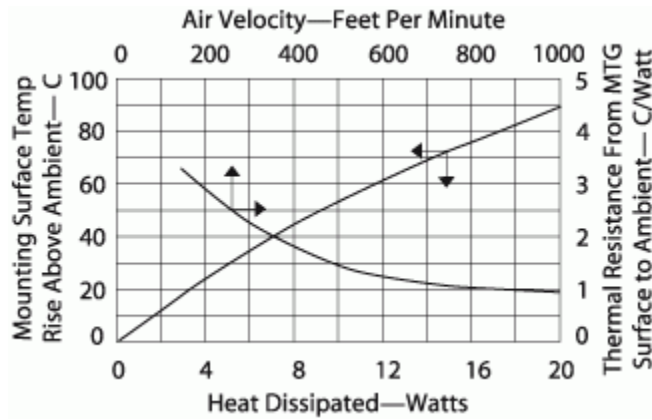
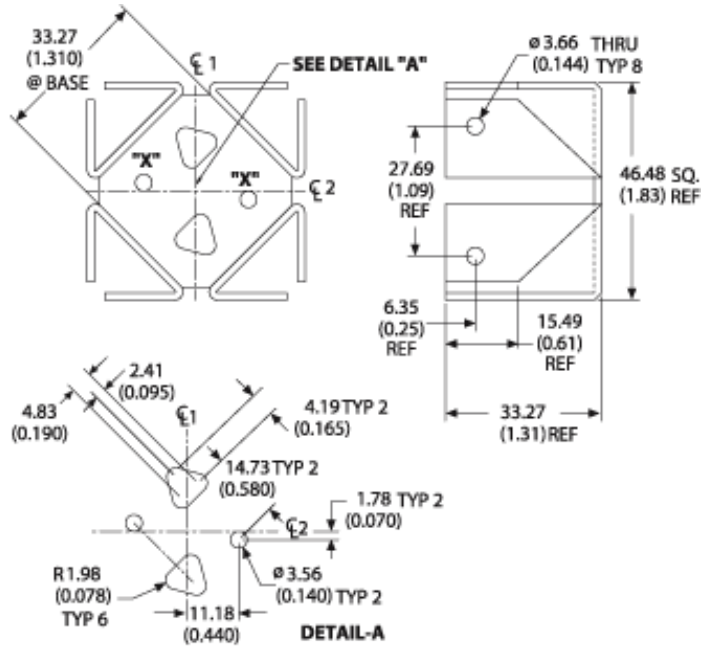


Part Number: 569003B00000G



Board Level Cooling – Square Basket 5690

Part Number: 569022B00000G



Mouser Electronics

Authorized Distributor

Click to View Pricing, Inventory, Delivery & Lifecycle Information:

[Aavid:](#)

[569003B00000G](#) [569022B00000G](#) [569000B00000G](#)