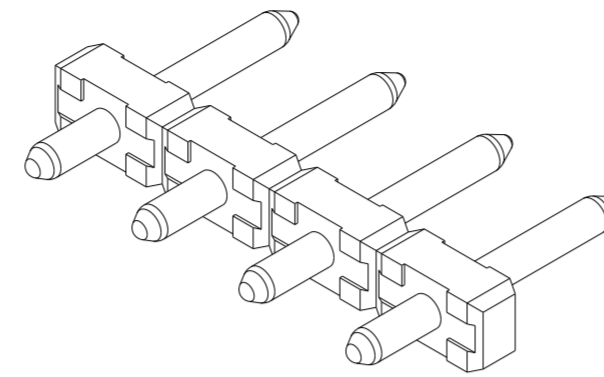
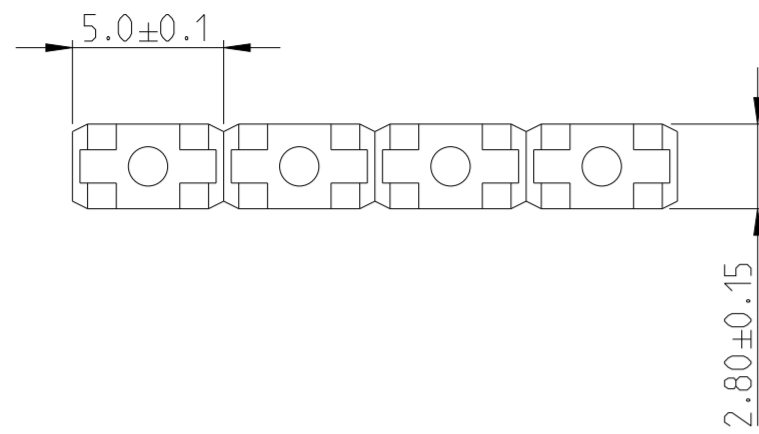
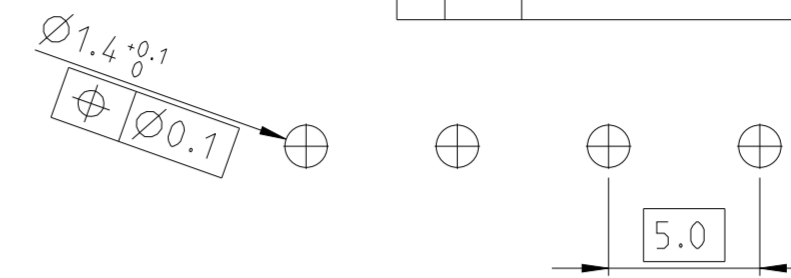


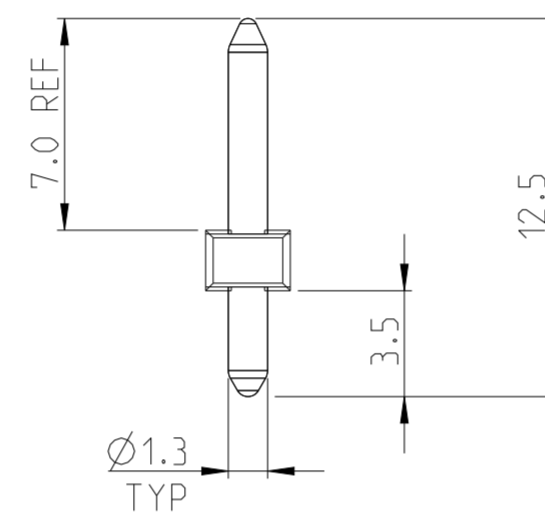
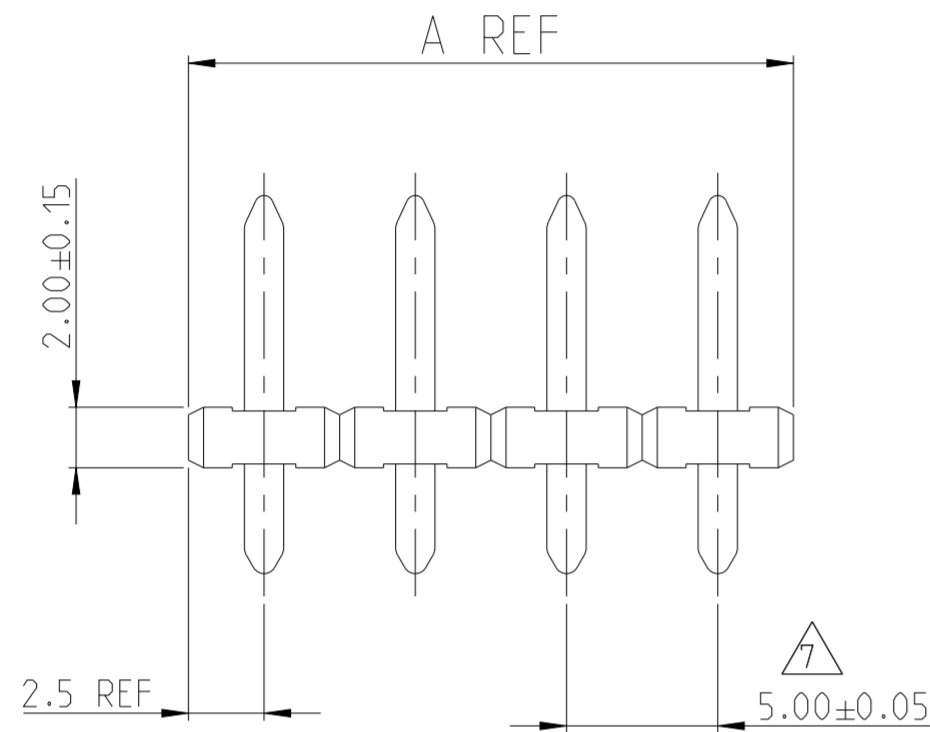
P	LTR	DESCRIPTION	DATE	DWN	APVD
A9		REVISED PER ECO-14-009593	01JUL2014	NK	MM
A10		CORRECTION OF NOTES	08JUN2016	FP	NG
A11		PART STATUS UPDATED	07JUL2021	SB	SS



1546931-4 AS SHOWN



RECOMMENDED PC BOARD LAYOUT



OBSOLETE	BLACK	TIN	TAPE AND REEL	55	11	3-1546931-5
OBSOLETE	BLACK	TIN	TAPE AND REEL	45	9	3-1546931-4
OBSOLETE	GRAY	TIN	-	45	9	3-1546931-3
	BLACK	TIN	TAPE AND REEL	15	3	3-1546931-2
OBSOLETE	BLACK	TIN	TAPE AND REEL	10	2	3-1546931-1
OBSOLETE	BLACK	0.254um GOLD	-	10	2	3-1546931-0
	BLACK	TIN	TAPE AND REEL	25	5	2-1546931-9
	BLACK	TIN	TAPE AND REEL	20	4	2-1546931-8
OBSOLETE	BLACK	TIN	TUBES	25	5	2-1546931-7
OBSOLETE	BLACK	TIN	TUBES	20	4	2-1546931-6
	BLACK	TIN		125	25	2-1546931-5
	BLACK	TIN		120	24	2-1546931-4
	BLACK	TIN		115	23	2-1546931-3
	BLACK	TIN		110	22	2-1546931-2
	BLACK	TIN		105	21	2-1546931-1
	BLACK	TIN		100	20	2-1546931-0
	BLACK	TIN		95	19	1-1546931-9
	BLACK	TIN		90	18	1-1546931-8
	BLACK	TIN		85	17	1-1546931-7
	BLACK	TIN		80	16	1-1546931-6
	BLACK	TIN		75	15	1-1546931-5
	BLACK	TIN		70	14	1-1546931-4
	BLACK	TIN		65	13	1-1546931-3
	BLACK	TIN		60	12	1-1546931-2
OBSOLETE	BLACK	TIN		55	11	1-1546931-1
	BLACK	TIN		50	10	1-1546931-0
	BLACK	TIN		45	9	1546931-9
	BLACK	TIN		40	8	1546931-8
	BLACK	TIN		35	7	1546931-7
	BLACK	TIN		30	6	1546931-6
	BLACK	TIN		25	5	1546931-5
	BLACK	TIN		20	4	1546931-4
	BLACK	TIN		15	3	1546931-3
	BLACK	TIN		10	2	1546931-2
COLOR	PLATING	PACKAGING	A REF	NO OF POSN	PART NUMBER	

NOTES

- MATERIALS AND FINISH:
HOUSING: HIGH TEMP PA, UL 94-V0, COLOR: SEE TABLE.
TEMPERATURE RATING OF 260°C AT 1 MINUTE.
TERMINAL: BRASS, TIN PLATED.
 - MECHANICAL
MAX. INSERTION FORCE PER HOLE : 2 N
MIN. WITHDRAWAL FORCE PER HOLE : 1.2 N
MAX PC BOARD THICKNESS : 2.4mm
MIN PC BOARD HOLE DIAMETER : 1.4mm
 - ELECTRICAL
WIRE RANGE : 30 - 14 AWG
MAX. VOLTAGE : 300 V
MAX CURRENT : 12 A
CONTACT RESISTANCE : < 15 m Ohm
INSULATION RESISTANCE : > 1000 M Ohm (500V DC)
 - END-TO-END STACKABLE WITHOUT LOSS OF CENTERLINE SPACING.
 - RECOGNIZED UNDER THE COMPONENT PROGRAM OF UNDERWRITERS LABORATORIES INC. FILE N° E60677.
 - OPERATING TEMPERATURE RANGE: -40°C TO +110°C
- NOT CUMULATIVE TOLERANCE.

THIS DRAWING IS A CONTROLLED DOCUMENT.

DWN: S. WELDON 30JAN2004
CHK: C. RICHARD 30JAN2004
APVD: C. RICHARD 30JAN2004

TE Connectivity

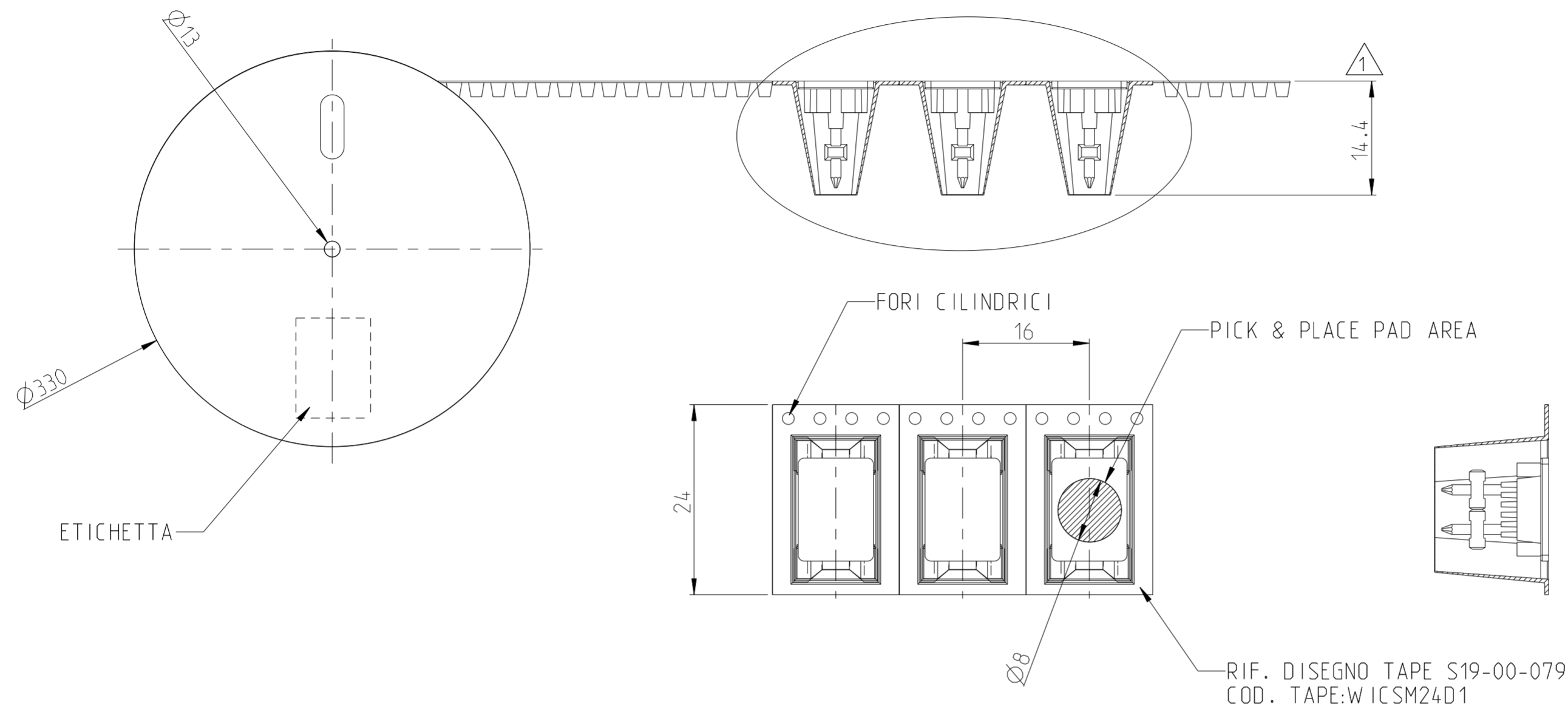
NAME: TERMINAL BLOCK, PIN HEADER, UNSHROUDED, HIGH TEMPERATURE, 5.0mm PITCH

PRODUCT SPEC: 108-20166
APPLICATION SPEC: 114-20079

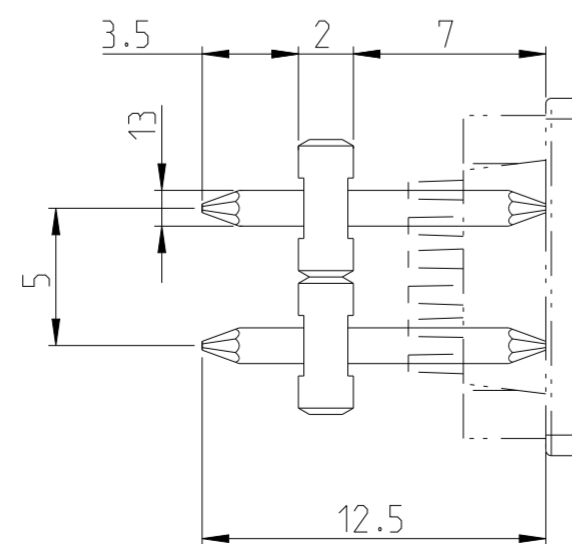
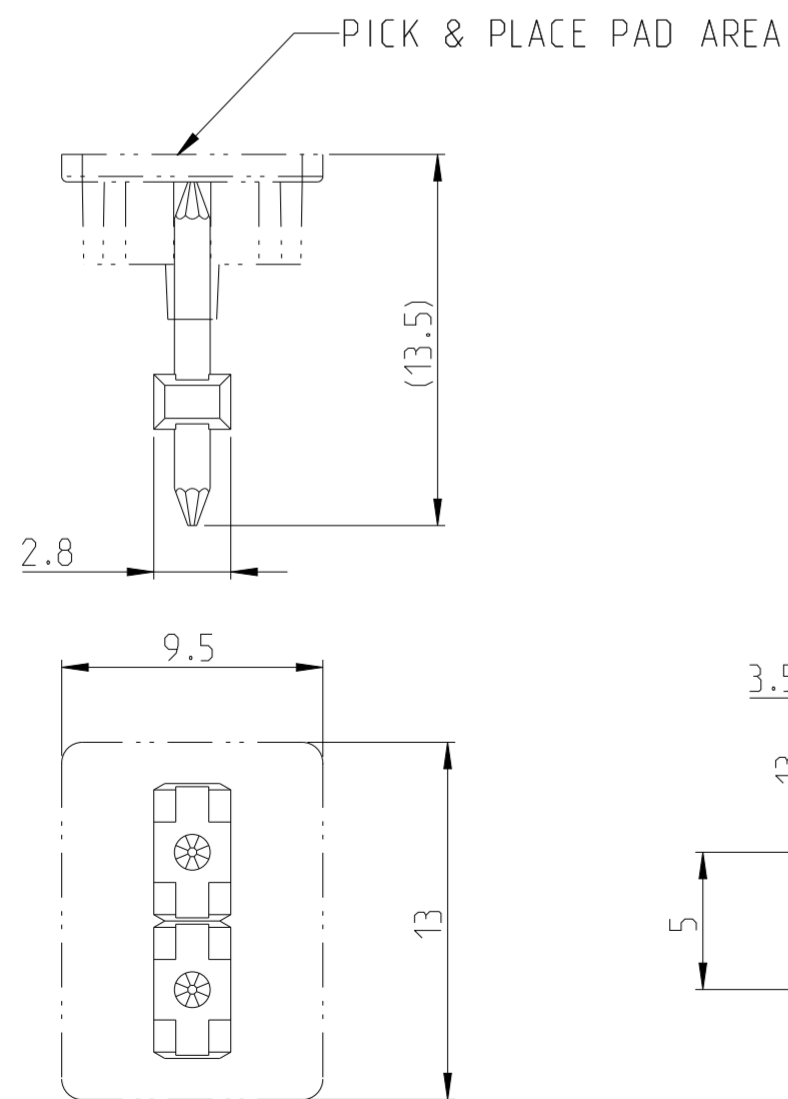
SIZE: A2 CAGE CODE: 00779 DRAWING NO: C-1546931 RESTRICTED TO: A11

SCALE: 4:1 SHEET: 1 OF 2

P	LTR	DESCRIPTION	DATE	DWN	APVD
-		SEE SHEET 1	-	-	-



NOTE:
300 PCS PER REEL



THIS DRAWING IS A CONTROLLED DOCUMENT.		DWN S. WELDON	30JAN2004	STE TE Connectivity	
		CHK C. RICHARD	30JAN2004		
		APVD C. RICHARD	30JAN2004	NAME TERMINAL BLOCK, PIN HEADER, UNSHROUDED, HIGH TEMPERATURE, 5.0mm PITCH	
DIMENSIONS: mm		TOLERANCES UNLESS OTHERWISE SPECIFIED:		PRODUCT SPEC 108-20166	
		0 PLC ±		APPLICATION SPEC 114-20079	
		1 PLC ±0.3		SIZE A2	
		2 PLC ±0.25		CAGE CODE 00779	
		3 PLC ±		DRAWING NO C-1546931	
		4 PLC ±		RESTRICTED TO	
		ANGLES ±2°		SCALE 4:1	
MATERIAL		FINISH		SHEET 2 OF 2	
				REV. A11	
CUSTOMER DRAWING					