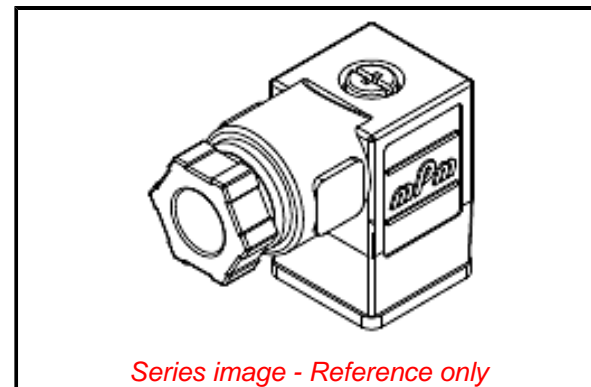


PLEASE CHECK WWW.MOLEX.COM FOR LATEST PART INFORMATION

Part Number: [1210230466](#)
Status: **Active**
Overview: mPm DIN Valve Connectors
Description: mPm DIN Valve Connector, Form C-Micro 9.4mm, PG7 Internal Threads, 3 Pole Plus Ground Terminal, 250V AC/300V DC, Black, Nitrile Profiled Gasket and Screw, Bulk Pack Mounted

Documents:

[Drawing \(PDF\)](#) [RoHS Certificate of Compliance \(PDF\)](#)
[Packaging Specification PK-121023-C19-001 \(PDF\)](#)



Series image - Reference only

General

| | |
|--------------------|--|
| Product Family | Field Attachable / Accessories |
| Series | 121023 |
| Form | C - Micro 9.4mm |
| IP Rating | IP65, IP67 |
| Material - Contact | Brass |
| Overview | mPm DIN Valve Connectors |
| Product Name | mPm |
| Type | Field Attachable Connector |
| UPC | 883906249083 |

Physical

| | |
|-------------------------------|-----------------|
| Cable Diameter | N/A |
| Coupling Type | Internal Thread |
| Diagnostics / LEDs | No |
| Diagnostics Port | No |
| Gender | N/A |
| Keyway | None |
| Material - Connector Body | Polypropylene |
| Material - Coupling Nut | N/A |
| Material - Plating Mating | Silver |
| Orientation | 90° Angle |
| Pitch - Mating Interface | 9.40mm |
| Poles | 3 |
| Temperature Range - Operating | -40°C to +90°C |
| Wire Size AWG | N/A |

Electrical

| | |
|-------------------------------|-------------------|
| Current - Maximum per Contact | 16.0A |
| Voltage - Maximum | 250V AC / 300V DC |

Material Info

| | |
|--------------------|-----------|
| Engineering Number | C19307N61 |
|--------------------|-----------|

Reference - Drawing Numbers

| | |
|-------------------------|-------------------|
| Packaging Specification | PK-121023-C19-001 |
| Sales Drawing | SD-121023-005 |

EU ELV

Not Relevant

EU RoHS

Compliant with Exemption 6(c)

REACH SVHC

Contained Per -
D(2020)9139-DC (19
Jan 2021)

Lead

Halogen-Free

Status

Low-Halogen

For more information, please visit [Contact US](#)

China ROHS

50 Image

ELV

Not Relevant

RoHS Phthalates

Not Contained

Search Parts in this Series

[121023 Series](#)

Mouser Electronics

Authorized Distributor

Click to View Pricing, Inventory, Delivery & Lifecycle Information:

[Molex:](#)

[1210230466](#)