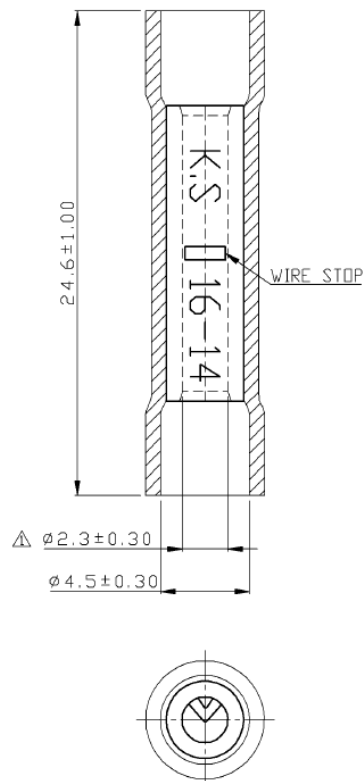


Butt Splice Connector



SPECIFICATION:

Material	Copper		
Wire Range	16-14 AWG (1.5...2.5 mm ²)		
Colour	Blue		
Diameter	2.3 mm		
Insulation Material	Vinyl		
Voltage	600 V		
Surface material	Copper		
Temperature Range	max. +75 °C		
Plating	Tin		
Max. Electric Current	AWG	16	14
	A	18	30



Art. Nr.
RND 465-00098