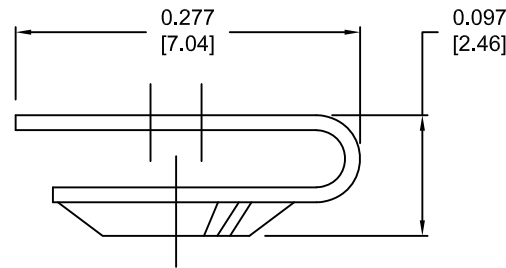
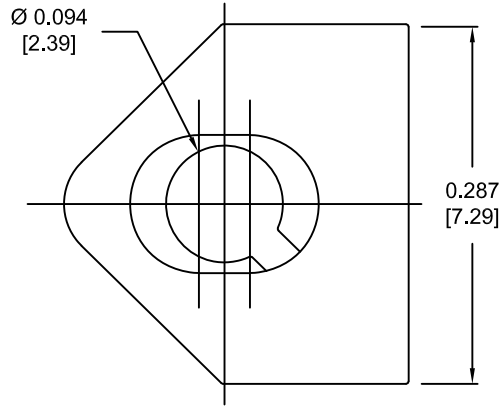
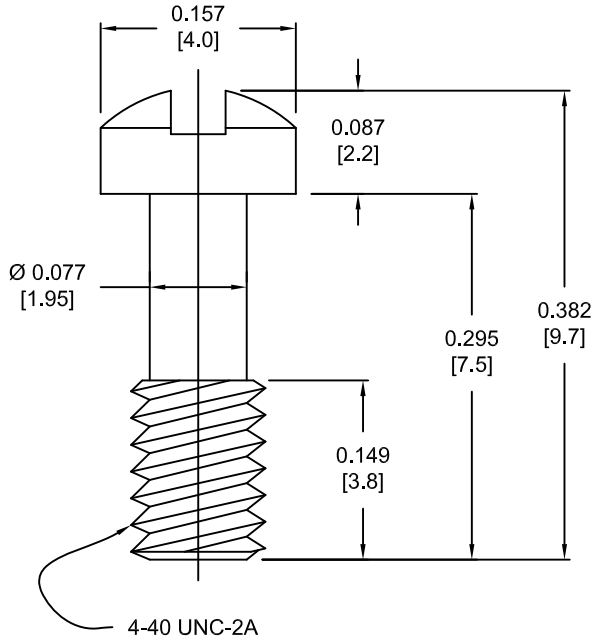


DESCRIPTION: 4-40 MALE SCREWLOCK/CLIP-ON

**IF CAPTIVE SCREW IS TOO LONG FOR YOUR APPLICATION PLEASE CONSIDER USING PART NUMBER: 160-000-003SCRW



PART NUMBER	SCREW PART NUMBER	CLIP PART NUMBER
KIT = 160-000-002R031	SSH4401T	RCO1T
BULK = 160-000-002R032	SSH4401T	RCO1T

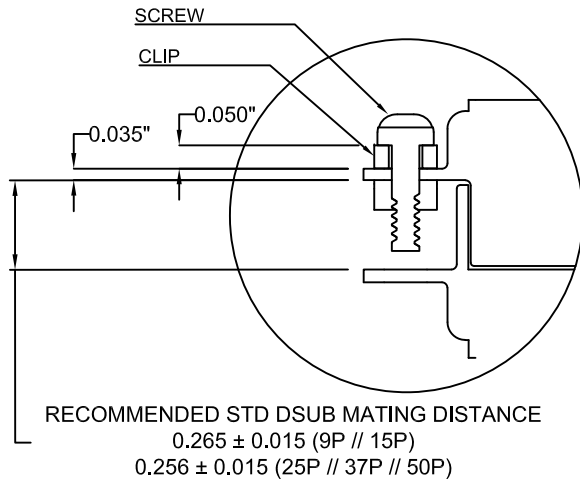
KIT INCLUDES:

(IN SEALED BAG)
2-SCREWS
2-CLIPS

MATERIAL:

SCREW: STEEL, NICKEL PLATED
CLIP: 304 STAINLESS STEEL

DIMENSIONAL REFERENCE



DO NOT SCALE FROM DRAWING



THESE DRAWINGS AND SPECIFICATIONS ARE THE PROPERTY OF NorComp AND SHALL NOT BE REPRODUCED, COPIED OR USED AS THE BASIS FOR THE MANUFACTURE OF SALE OF APPARATUS WITHOUT WRITTEN PERMISSION.

DRAWN: C. SMITH		DATE: 01-25-08	
SCALE: NTS	SHEET 1	OF 1	REV 5
DWG NO. 160-000-002R0YY			

NorComp

RoHS COMPLIANT

Mouser Electronics

Authorized Distributor

Click to View Pricing, Inventory, Delivery & Lifecycle Information:

[NorComp:](#)

[160-000-002R031](#) [160-000-002R032](#)