



MICRO3[®] Blade Fuses



MICRO3[®] Shunt

MICRO3[™] Blade Fuses Rated 32V

The MICRO3[™] Fuse has 3 terminals and 2 fuse elements with a common center terminal. Its sub-miniature design meets the need for more circuits to be protected while utilizing less space and its ability to cope with high temperatures in adverse environments makes the MICRO3[™] Fuse of recommended choice for protection.

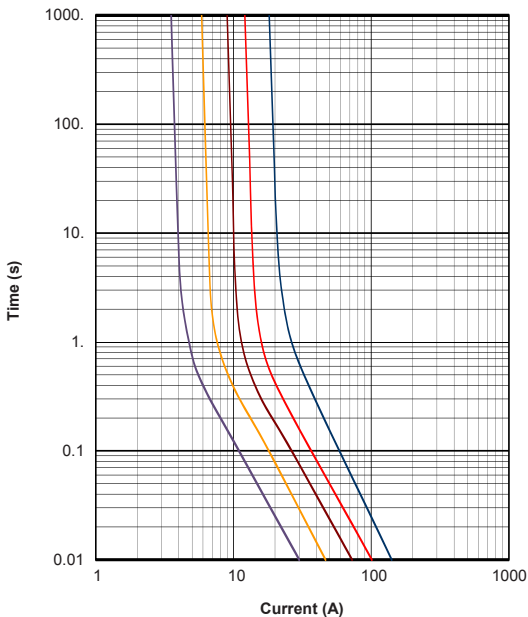
Specifications

Voltage Rating:	32 VDC
Interrupting Ratings:	1000A @ 32 VDC
*Recommended Environmental Temperature:	-40°C to +125°C
Terminals Material:	Silver plated zinc alloy
Housing Material:	PA66 (U.L. 94 Flammability rating – V2)
Net Weight Per Fuse:	0.95±10% gr
Complies with:	SAE 2741 and ISO 8820-3 in reference to electrical, mechanical and environmental performance requirements



*Silver plating allows up to 150°C at the terminal interface.

Time-Current Characteristic Curves



Ordering Information

Part Number	Rating	Package Size
0337xxx.PX2S	3 - 15 & SHUNT	2000
0337xxx.LXS	3 - 15	50

Time-Current Characteristics

% of Rating	Opening Time Min / Max (s)
110	360,000 / ∞
135	0.75 / 120
160	0.3 / 50
200	0.15 / 5
350	0.04 / 0.5
600	0.02 / 0.1

Ratings

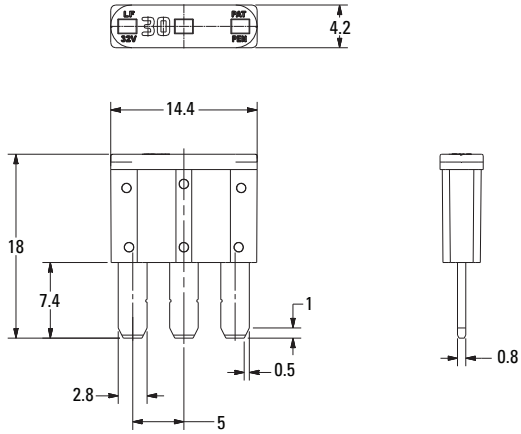
Part Number	Current Rating (A)	Housing Material Color	Test Cable Size (mm ²)		Typ. Voltage Drop (mV)	Typ. Cold Resistance (mΩ)	Typ. I ² t (A ² s)
			Side Fuse Blades	Center Fuse Blades			
0337003_	3		0.5	1	113	31.7	9
0337005_	5		0.5	1	116	17.4	17
033707.5_	7.5		0.75	1.5	106	10.8	47
0337010_	10		1	2.5	102	7.8	89
0337015_	15		1.5	4	94	4.9	189
0337900_	SHUNT		-	-	-	-	-

The typical I²t is an average value calculated from the breaking capacity tests by using the melting time before the arcing occurs.

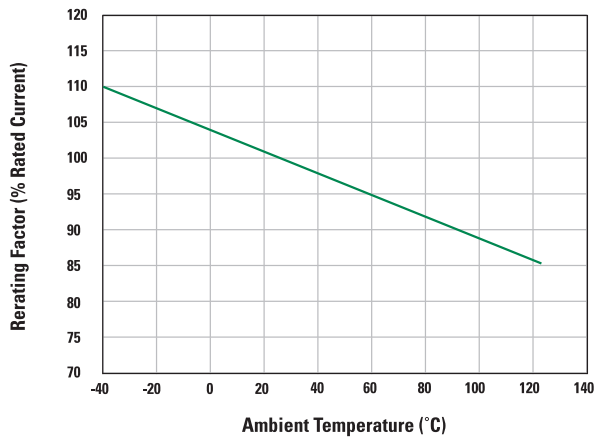
MICRO3™ Blade Fuses Rated 32V

Dimensions

Dimensions in mm for reference only.
See outline drawing for dimensions and tolerances.



Temperature Rerating Curve



SHUNT Maximum Continuous Load: 15A

Mouser Electronics

Authorized Distributor

Click to View Pricing, Inventory, Delivery & Lifecycle Information:

Littelfuse:

[0337010.LXS](#) [0337015.LXS](#) [0337005.LXS](#) [033707.5LXS](#) [0337005.PXS](#) [0337010.PXS](#) [0337015.PXS](#)
[033707.5PXS](#) [033707.5PX2S](#) [0337005.PX2S](#) [0337900.PX2S](#) [0337010.PX2S](#) [0337015.PX2S](#) [0337900.UXS](#)
[0337900.PXS](#)