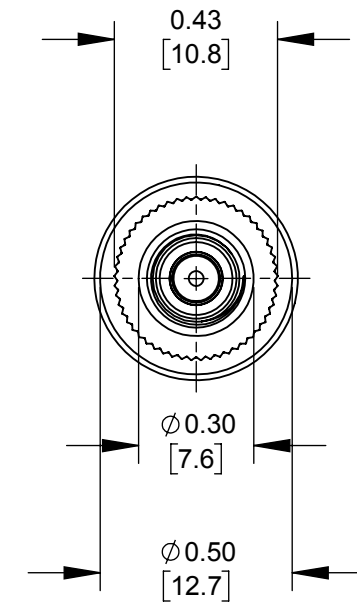
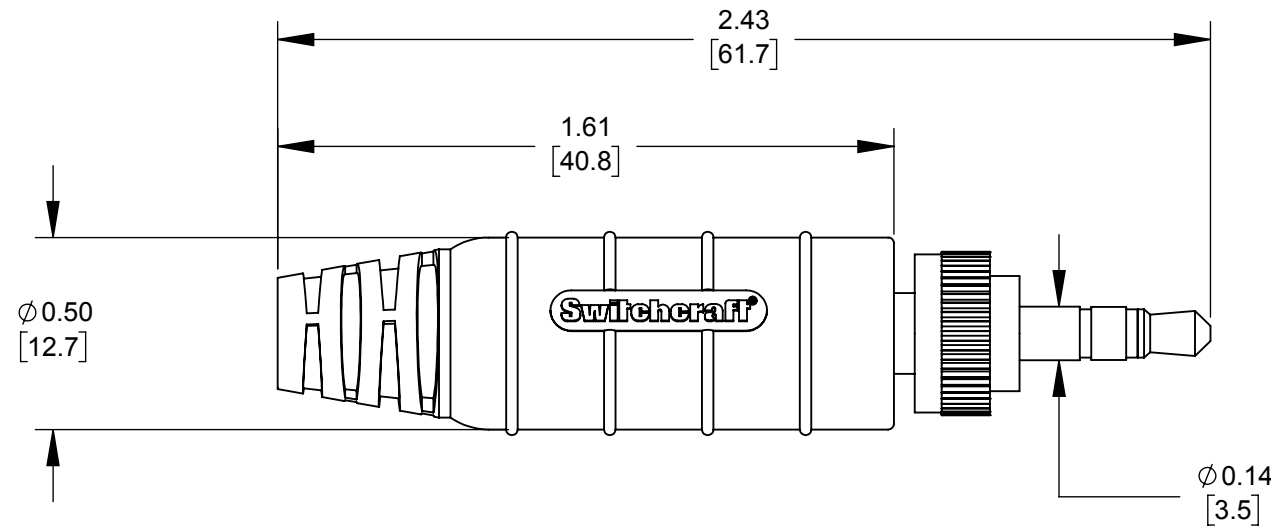
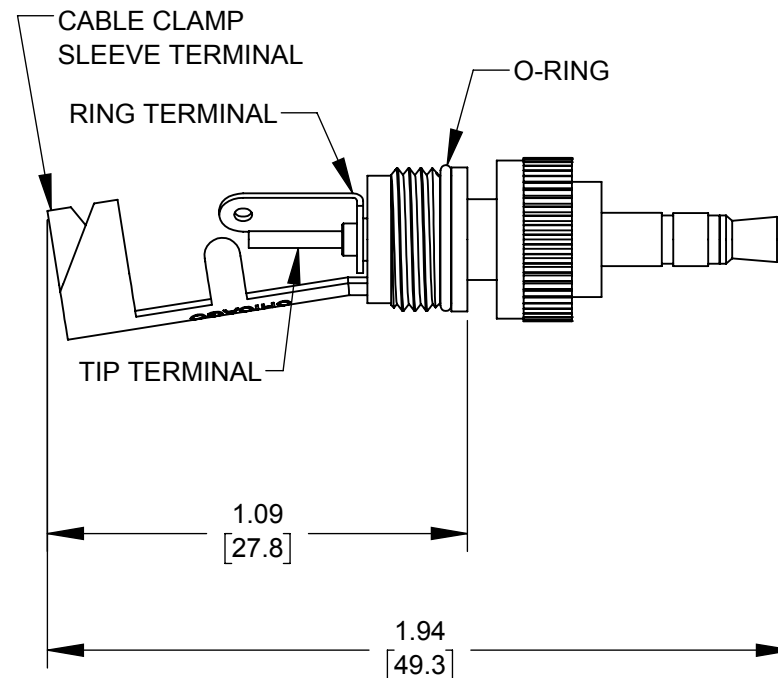
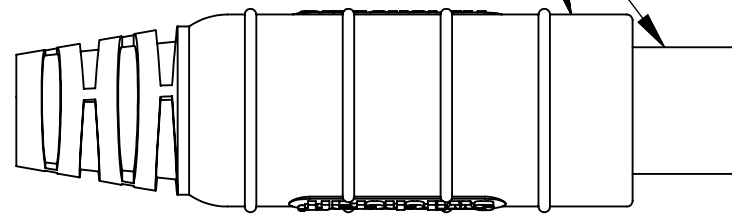


"A" REF
CABLE HOLE
SEE TABLE



OVERMOLDED HANDLE & TUBULAR INSULATOR
SHIPPED UNASSEMBLED



3 5 H D L S

LOCKING
SEALED

CABLE OD RANGE
12 - 0.125" - 0.150"
15 - 0.150" - 0.175"
17 - 0.175" - 0.210"

PLUG FINISH
N - TIN PLATED
AU - GOLD PLATED

NOTES:

1. SPECIFICATIONS:

- CONTACT RESISTANCE: 20 MILIOHMS MAX.
- DIELECTRIC WITHSTANDING VOLTAGE - 250 VAC MIN
- INSULATION RESISTANCE @ 500 VDC - 2,000 MEGAOHMS MIN
- MAX WORKING VOLTAGE - 250 VAC, 140VDC
- CURRENT CARRY @ WORKING VOLTAGE - 4 AMPS
- INSERT / WITHDRAWAL FORCE - TYPICAL 2.5/2 LBS
- TEMPERATURE RANGE: -20°C TO 85°C (OPERATING)
- PASSES IP67 & IP68 AFTER:
- THERMAL SHOCK - MIL-STD-202, METHOD 107G
- VIBRATION - MIL-STD-202, METHOD 201
- LIFE - 5,000 CYCLES

2. MATERIALS:

- PLUG BODY, TIP ROD & RING - COPPER ALLOY, TIN OR GOLD PLATED
- PLUG INSULATION - THERMOPLASTIC, BLACK
- RING TERMINAL - COPPER ALLOY, TIN PLATED
- CABLE CLAMP - STEEL, TIN PLATED
- COUPLING RING - COPPER ALLOY, NICKEL PLATED
- HANDLE - COPPER ALLOY, NICKEL PLATED
- OVERMOLDED THERMOPLASTIC
- TUBULAR INSULATOR - MYLAR

3. THESE PRODUCTS ARE RoHS COMPLIANT.

CUSTOMER DRAWING

| REV | ECO NUMBER | DATE | BY | APVD |
|-----------|------------|------|----|------|
| * | * | * | * | * |
| REVISIONS | | | | |

UNLESS OTHERWISE SPECIFIED

- 1. ALL DIMENSIONS IN INCHES [mm]
- TWO PLACE DECIMALS ±0.02 [0.5]
- THREE PLACE DECIMALS ±0.005 [0.13]

DO NOT SCALE DRAWING

THIS DRAWING DESCRIBES A DESIGN CONSIDERED PROPRIETARY IN NATURE, DEVELOPED AND MANUFACTURED BY SWITCHCRAFT INC. AND IS RELEASED ON A CONFIDENTIAL BASIS FOR IDENTIFICATION PURPOSES ONLY.

| | | | | |
|---|---------|-----------|------------------------|----------|
| SIZE * | WIDTH * | MULT * | LBS/M * | TEMPER * |
| FINISH * | | | MATERIAL * | |
| SPEC No. * | | | SPEC No. * | |
| FIRST USED ON * | | SCALE 1:1 | | |
| DATE DRAWN | BY | CHKD | APVD | |
| 05/17/18 | AM | * | * | |
| NAME 3.5MM LOCKING SEALED STEREO PLUG, RoHS | | | PART No. 35HDLS SERIES | |
| | | | REV 0A | |

Switchcraft[®]

SHEET 1 OF 1

SolidWorks CAD File

Mouser Electronics

Authorized Distributor

Click to View Pricing, Inventory, Delivery & Lifecycle Information:

Switchcraft:

[35HDLSAU12](#) [35HDLSAU15](#) [35HDLSAU17](#) [35HDLSN12](#) [35HDLSN15](#) [35HDLSN17](#) [35HDSAU12](#) [35HDSAU15](#)
[35HDSAU17](#) [35HDSN12](#) [35HDSN15](#) [35HDSN17](#)