



Film Capacitors

Metallized Polypropylene Film Capacitors (MKP)

Series/Type: B3277*X/Y/Z

Date: November 2020

MKP DC link**Typical applications**

- Frequency converters
- Industrial and high-end power supplies
- Solar Inverters

Climatic

- Max. operating temperature: 105 °C (case)
- Climatic category (IEC 60068-1:2013):
40/105/56

Construction

- Dielectric: Polypropylene (MKP)
- Plastic case (UL 94 V-0)
- Epoxy resin sealing (UL 94 V-0)

Features

- Capacitance value from 0.68 μF up to 170 μF
- High CV product, compact
- Good self-healing properties
- Over-voltage capability
- Low losses with high current capability
- High reliability
- Long useful life
- RoHS-compatible

Terminals

- Parallel wire leads, lead-free tinned
- 2-pin and 4-pin
- Standard lead lengths: 6 – 1 mm

Marking

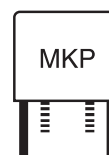
Manufacturer's logo and lot number,
date code, rated capacitance (coded),
capacitance tolerance (code letter),
rated DC voltage

Delivery mode

Bulk (untaped, lead length 6 – 1 mm)

B3277*X/Y/Z

MKP DC link



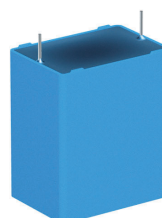
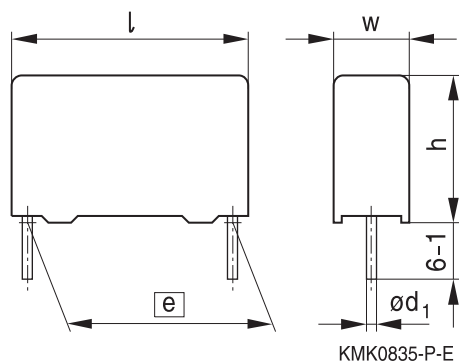
Dimensional drawings

| Number of wires | Lead spacing $e \pm 0.4$ | Lead diameter $d_1 \pm 0.05$ | Type |
|-----------------|--------------------------|------------------------------|---------|
| 2-pin | 27.5 | 0.8 | B32774X |
| 2-pin | 37.5 | 1.0 | B32776Y |
| 4-pin | 37.5 | 1.2 | B32776Z |
| 4-pin | 52.5 | 1.2 | B32778Z |

Dimensions in mm

Dimensional drawings 2-pin versions

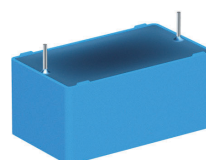
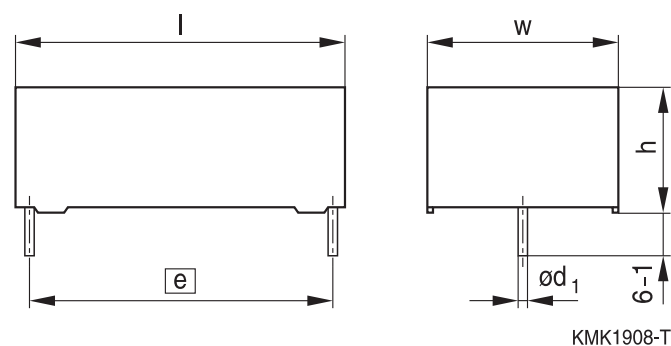
B32774X, B32776Y



| | B32774X | B32776Y |
|----------------------------|---------|---------|
| Lead spacing $e \pm 0.4$: | 27.5 | 37.5 |
| Lead diameter d_1 : | 0.8 | 1.0 |

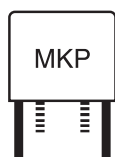
Dimensions in mm

B32776Y (low profile)



| | |
|----------------------------|------|
| Lead spacing $e \pm 0.4$: | 37.5 |
| Lead diameter d_1 : | 1.0 |

Dimensions in mm

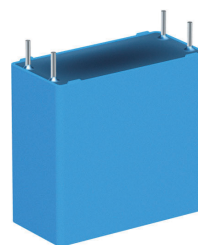
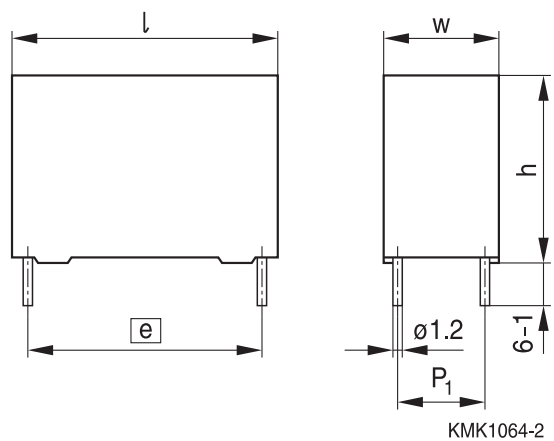


B3277*X/Y/Z

MKP DC link

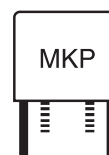
Dimensional drawings 4-pin versions

B32776Z, B32778Z



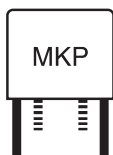
| | B32776Z | B32778Z |
|----------------------------|---------|---------|
| Lead spacing $e \pm 0.4$: | 37.5 | 52.5 |
| Lead diameter d_1 : | 1.2 | 1.2 |

Dimensions in mm



Overview of available types

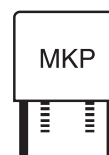
| | | | | | | | |
|------------------|---------|-----|-----|-----|------|------|------|
| Lead spacing | 27.5 mm | | | | | | |
| Type | B32774X | | | | | | |
| Page | 8 | | | | | | |
| V_R (V DC) | 500 | 600 | 800 | 900 | 1000 | 1100 | 1200 |
| C_R (μ F) | | | | | | | |
| 0.68 | | | | | | | |
| 1.0 | | | | | | | |
| 1.5 | | | | | | | |
| 1.8 | | | | | | | |
| 2.0 | | | | | | | |
| 2.2 | | | | | | | |
| 2.5 | | | | | | | |
| 3.0 | | | | | | | |
| 3.3 | | | | | | | |
| 4.0 | | | | | | | |
| 4.5 | | | | | | | |
| 5.0 | | | | | | | |
| 6.0 | | | | | | | |
| 6.5 | | | | | | | |
| 7.0 | | | | | | | |
| 8.0 | | | | | | | |
| 9.0 | | | | | | | |
| 10 | | | | | | | |
| 12 | | | | | | | |
| 13 | | | | | | | |
| 15 | | | | | | | |
| 16 | | | | | | | |
| 22 | | | | | | | |



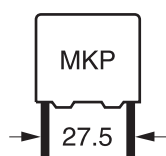
B3277*X/Y/Z

MKP DC link

| | | | | | | | |
|------------------|-----------|-----|-----|-----|------|------|------|
| Lead spacing | 37.5 mm | | | | | | |
| Type | B32776Y/Z | | | | | | |
| Page | 11 | | | | | | |
| V_R (V DC) | 500 | 600 | 800 | 900 | 1000 | 1100 | 1200 |
| C_R (μ F) | | | | | | | |
| 2.7 | | | | | | | |
| 3.5 | | | | | | | |
| 3.9 | | | | | | | |
| 4.5 | | | | | | | |
| 5.0 | | | | | | | |
| 6.0 | | | | | | | |
| 6.8 | | | | | | | |
| 7.5 | | | | | | | |
| 8.0 | | | | | | | |
| 8.5 | | | | | | | |
| 10 | | | | | | | |
| 12 | | | | | | | |
| 13 | | | | | | | |
| 14 | | | | | | | |
| 15 | | | | | | | |
| 16 | | | | | | | |
| 20 | | | | | | | |
| 22 | | | | | | | |
| 25 | | | | | | | |
| 30 | | | | | | | |
| 35 | | | | | | | |
| 40 | | | | | | | |
| 45 | | | | | | | |
| 50 | | | | | | | |
| 60 | | | | | | | |
| 65 | | | | | | | |
| 85 | | | | | | | |
| 120 | | | | | | | |



| | | | | | | | |
|------------------|---------|-----|-----|-----|------|------|------|
| Lead spacing | 52.5 mm | | | | | | |
| Type | B32778Z | | | | | | |
| Page | 15 | | | | | | |
| V_R (V DC) | 500 | 600 | 800 | 900 | 1000 | 1100 | 1200 |
| C_R (μ F) | | | | | | | |
| 14 | | | | | | | |
| 16 | | | | | | | |
| 20 | | | | | | | |
| 25 | | | | | | | |
| 27 | | | | | | | |
| 28 | | | | | | | |
| 30 | | | | | | | |
| 33 | | | | | | | |
| 35 | | | | | | | |
| 40 | | | | | | | |
| 45 | | | | | | | |
| 50 | | | | | | | |
| 55 | | | | | | | |
| 58 | | | | | | | |
| 60 | | | | | | | |
| 65 | | | | | | | |
| 70 | | | | | | | |
| 75 | | | | | | | |
| 80 | | | | | | | |
| 85 | | | | | | | |
| 90 | | | | | | | |
| 95 | | | | | | | |
| 100 | | | | | | | |
| 110 | | | | | | | |
| 120 | | | | | | | |
| 130 | | | | | | | |
| 155 | | | | | | | |
| 170 | | | | | | | |



B32774X

MKP DC link

Ordering codes and packing units (lead spacing 27.5 mm)

| $C_R^{1)}$ | Max. dimensions $w \times h \times l$ | P_1 | Ordering code (composition see below) | $I_{RMS,max}^{2)}$ 70 °C 10 kHz A | ESR_{typ} 70 °C 10 kHz mΩ | $ESL_{typ}^{3)}$ 70 °C nH | $\tan \delta$ max. 1 kHz 10^{-3} | $\tan \delta$ max. 10 kHz 10^{-3} | Un- taped pcs./ MOQ |
|--|--|-------|---|--|--------------------------------------|---------------------------------|---|--|------------------------------|
| μF | mm | mm | | | | | | | |
| $V_{R,85\text{ °C}} = 500\text{ V DC}$ | | | | | | | | | |
| 3.3 | 9.0 × 18.0 × 31.5 | — | B32774X4335+000 | 3.3 | 31.1 | 18.0 | 1.2 | 10.7 | 2400 |
| 5.0 | 11.0 × 21.0 × 31.5 | — | B32774X4505+000 | 5.0 | 21.1 | 19.0 | 1.2 | 10.7 | 2352 |
| 6.0 | 12.5 × 21.5 × 31.5 | — | B32774X4605+000 | 5.8 | 17.0 | 20.0 | 1.2 | 10.7 | 2100 |
| 7.0 | 13.5 × 23.0 × 31.5 | — | B32774X4705+000 | 6.6 | 14.5 | 21.0 | 1.2 | 10.8 | 1932 |
| 8.0 | 14.0 × 24.5 × 31.5 | — | B32774X4805+000 | 7.3 | 12.5 | 22.5 | 1.2 | 10.8 | 1848 |
| 10.0 | 15.0 × 24.5 × 31.5 | — | B32774X4106K000 | 8.0 | 10.9 | 24.0 | 1.2 | 11.0 | 1680 |
| 12.0 | 18.0 × 27.5 × 31.5 | — | B32774X4126+000 | 10.0 | 9.5 | 26.5 | 1.2 | 11.0 | 1428 |
| 13.0 | 18.0 × 27.5 × 31.5 | — | B32774X4136+000 | 10.5 | 8.0 | 27.0 | 1.2 | 11.2 | 1428 |
| 15.0 | 21.0 × 31.0 × 31.5 | — | B32774X4156+000 | 11.2 | 7.5 | 28.0 | 1.2 | 11.2 | 784 |
| 16.0 | 21.0 × 31.0 × 31.5 | — | B32774X4166+000 | 11.7 | 7.0 | 29.0 | 1.2 | 11.2 | 784 |
| 22.0 | 22.0 × 36.5 × 31.5 | *) | B32774X4226+000 | 14.5 | 5.4 | 30.0 | 1.3 | 12.1 | 784 |
| $V_{R,85\text{ °C}} = 600\text{ V DC}$ | | | | | | | | | |
| 2.2 | 9.0 × 18.0 × 31.5 | — | B32774X5225+000 | 3.0 | 36.5 | 18.0 | 1.1 | 9.8 | 2400 |
| 4.0 | 11.0 × 21.0 × 31.5 | — | B32774X5405+000 | 4.8 | 22.0 | 19.5 | 1.1 | 10.0 | 2352 |
| 4.5 | 12.5 × 21.5 × 31.5 | — | B32774X5455+000 | 5.1 | 19.5 | 20.5 | 1.1 | 10.0 | 2100 |
| 5.0 | 13.5 × 23.0 × 31.5 | — | B32774X5505+000 | 5.5 | 17.0 | 21.5 | 1.1 | 10.1 | 1932 |
| 6.0 | 14.0 × 24.5 × 31.5 | — | B32774X5605+000 | 6.8 | 14.5 | 23.0 | 1.1 | 10.1 | 1848 |
| 6.5 | 15.0 × 24.5 × 31.5 | — | B32774X5655+000 | 7.2 | 13.5 | 22.5 | 1.2 | 10.1 | 1680 |
| 8.0 | 18.0 × 27.5 × 31.5 | — | B32774X5805+000 | 8.8 | 11.0 | 25.0 | 1.2 | 10.2 | 1428 |
| 9.0 | 18.0 × 27.5 × 31.5 | — | B32774X5905+000 | 9.4 | 10.0 | 27.5 | 1.2 | 10.2 | 1428 |
| 10.0 | 21.0 × 31.0 × 31.5 | — | B32774X5106+000 | 10.2 | 8.5 | 29.5 | 1.2 | 10.3 | 784 |
| 16.0 | 22.0 × 36.5 × 31.5 | *) | B32774X5166+000 | 13.5 | 6.2 | 32.0 | 1.2 | 10.5 | 784 |

MOQ = Minimum Order Quantity, consisting of 4 packing units.

Intermediate capacitance values are available on request.

*) 4-pin version available on request

Composition of ordering code

+ = Capacitance tolerance code:

K = ±10%

J = ±5%

Packing code:

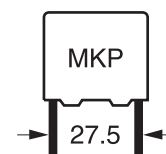
000 = untaped (lead length 6 – 1 mm)

Other lead lengths available upon request

1) Capacitance value measured at 1 kHz

2) Max. ripple current I_{RMS} at 70 °C at 10 kHz for a $\Delta T \leq 20\text{ °C}$ when $\Delta ESR_{typ} \leq \pm 5\%$

3) ESL value measured at resonance frequency (see specific graphs of Z versus frequency)

B32774X
MKP DC link

Ordering codes and packing units (lead spacing 27.5 mm)

| $C_R^{4)}$ | Max. dimensions $w \times h \times l$ | P_1 | Ordering code (composition see below) | $I_{RMS,max}^{5)}$ 70 °C 10 kHz A | ESR_{typ} 70 °C 10 kHz mΩ | $ESL_{typ}^{6)}$ 70 °C nH | $\tan \delta$ max. 1 kHz 10^{-3} | $\tan \delta$ max. 10 kHz 10^{-3} | Un- taped pcs./ MOQ |
|--|--|-------|---|--|--------------------------------------|---------------------------------|---|--|------------------------------|
| μF | mm | mm | | | | | | | |
| $V_{R,85\text{ °C}} = 800\text{ V DC}$ | | | | | | | | | |
| 2.0 | 9.0 × 18.0 × 31.5 | — | B32774X8205K000 | 3.0 | 37.2 | 18.0 | 0.9 | 7.6 | 2400 |
| 3.0 | 11.0 × 21.0 × 31.5 | — | B32774X8305+000 | 4.5 | 24.8 | 19.0 | 0.9 | 7.6 | 2352 |
| 4.0 | 13.5 × 23.0 × 31.5 | — | B32774X8405+000 | 5.6 | 18.5 | 21.0 | 0.9 | 7.6 | 1932 |
| 5.0 | 14.0 × 24.5 × 31.5 | — | B32774X8505+000 | 6.5 | 15.3 | 23.0 | 0.9 | 7.7 | 1848 |
| 6.0 | 18.0 × 27.5 × 31.5 | — | B32774X8605+000 | 8.0 | 12.6 | 24.5 | 0.9 | 7.7 | 1428 |
| 7.0 | 18.0 × 27.5 × 31.5 | — | B32774X8705+000 | 8.7 | 11.0 | 28.0 | 0.9 | 7.8 | 1428 |
| 8.0 | 21.0 × 31.0 × 31.5 | — | B32774X8805+000 | 9.6 | 9.6 | 29.0 | 0.9 | 7.9 | 784 |
| 9.0 | 21.0 × 31.0 × 31.5 | — | B32774X8905+000 | 10.3 | 8.7 | 30.0 | 1.0 | 8.0 | 784 |
| 10.0 | 22.0 × 36.5 × 31.5 | *) | B32774X8106+000 | 10.0 | 8.0 | 32.0 | 1.0 | 8.2 | 784 |
| 12.0 | 22.0 × 36.5 × 31.5 | *) | B32774X8126+000 | 13.0 | 6.8 | 34.0 | 1.0 | 8.3 | 784 |
| $V_{R,85\text{ °C}} = 900\text{ V DC}$ | | | | | | | | | |
| 1.5 | 9.0 × 18.0 × 31.5 | — | B32774X9155K000 | 2.8 | 43.9 | 18.0 | 0.8 | 7.1 | 2400 |
| 2.5 | 12.5 × 21.5 × 31.5 | — | B32774X9255+000 | 4.5 | 26.0 | 21.0 | 0.8 | 7.2 | 2100 |
| 3.0 | 13.5 × 23.0 × 31.5 | — | B32774X9305+000 | 5.2 | 22.0 | 21.5 | 0.8 | 7.2 | 1932 |
| 4.0 | 15.0 × 24.5 × 31.5 | — | B32774X9405+000 | 6.3 | 17.5 | 22.8 | 0.8 | 7.2 | 1680 |
| 5.0 | 18.0 × 27.5 × 31.5 | — | B32774X9505+000 | 8.0 | 13.5 | 26.0 | 0.8 | 7.2 | 1428 |
| 6.0 | 18.0 × 27.5 × 31.5 | — | B32774X9605+000 | 8.7 | 11.5 | 29.5 | 0.8 | 7.3 | 1428 |
| 7.0 | 21.0 × 31.0 × 31.5 | — | B32774X9705+000 | 9.7 | 10.0 | 30.0 | 0.8 | 7.3 | 784 |
| 10.0 | 22.0 × 36.5 × 31.5 | *) | B32774X9106+000 | 12.5 | 7.5 | 33.8 | 0.8 | 7.3 | 784 |

MOQ = Minimum Order Quantity, consisting of 4 packing units.

Intermediate capacitance values are available on request.

*) 4-pin version available on request

Composition of ordering code

+ = Capacitance tolerance code:

K = ±10%

J = ±5%

Packing code:

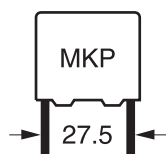
000 = untaped (lead length 6 – 1 mm)

Other lead lengths available upon request

4) Capacitance value measured at 1 kHz

 5) Max. ripple current I_{RMS} at 70 °C at 10 kHz for a $\Delta T \leq 20\text{ °C}$ when $\Delta ESR_{typ} \leq \pm 5\%$

6) ESL value measured at resonance frequency (see specific graphs of Z versus frequency)



B32774X

MKP DC link

Ordering codes and packing units (lead spacing 27.5 mm)

| $C_R^{7)}$ μF | Max. dimensions $w \times h \times l$ mm | P_1 mm | Ordering code (composition see below) | $I_{\text{RMS,max}}^{8)}$ 70 °C 10 kHz A | $\text{ESR}_{\text{typ}}^{8)}$ 70 °C 10 kHz mΩ | $\text{ESL}_{\text{typ}}^{9)}$ 70 °C nH | $\tan \delta$ max. 1 kHz 10^{-3} | $\tan \delta$ max. 10 kHz 10^{-3} | Un- taped pcs./ MOQ |
|--|--|-------------|---|---|---|---|---|--|------------------------------|
| $V_{\text{R,85 °C}} = 1000 \text{ V DC}$ | | | | | | | | | |
| 1.0 | 9.0 × 18.0 × 31.5 | — | B32774X0105+000 | 2.6 | 50.6 | 18.0 | 0.8 | 5.3 | 2400 |
| 2.0 | 12.5 × 21.5 × 31.5 | — | B32774X0205+000 | 4.5 | 26.3 | 19.0 | 0.8 | 5.3 | 2100 |
| 2.5 | 14.0 × 24.5 × 31.5 | — | B32774X0255+000 | 5.7 | 20.8 | 22.0 | 0.8 | 5.3 | 1848 |
| 3.0 | 18.0 × 27.5 × 31.5 | — | B32774X0305+000 | 7.0 | 17.8 | 23.0 | 0.8 | 5.4 | 1428 |
| 4.0 | 18.0 × 27.5 × 31.5 | — | B32774X0405+000 | 7.9 | 13.4 | 25.0 | 0.8 | 5.5 | 1428 |
| 5.0 | 21.0 × 31.0 × 31.5 | — | B32774X0505+000 | 9.0 | 10.9 | 27.0 | 0.8 | 5.5 | 784 |
| 7.0 | 22.0 × 36.5 × 31.5 | *) | B32774X0705+000 | 12.0 | 8.1 | 30.0 | 0.8 | 5.8 | 784 |
| $V_{\text{R,85 °C}} = 1100 \text{ V DC}$ | | | | | | | | | |
| 1.0 | 11.0 × 19.0 × 31.5 | — | B32774X7105K000 | 2.8 | 51.5 | 17.0 | 0.8 | 5.6 | 2352 |
| 1.8 | 12.5 × 21.5 × 31.5 | — | B32774X7185+000 | 4.2 | 31.6 | 19.0 | 0.8 | 5.6 | 2100 |
| 2.0 | 14.0 × 24.5 × 31.5 | — | B32774X7205+000 | 4.8 | 26.8 | 20.0 | 0.8 | 5.6 | 1848 |
| 3.0 | 18.0 × 27.5 × 31.5 | — | B32774X7305+000 | 6.5 | 18.0 | 24.0 | 0.8 | 5.7 | 1428 |
| 4.0 | 18.0 × 33.0 × 31.5 | — | B32774X7405+000 | 7.6 | 13.8 | 28.0 | 0.8 | 5.8 | 952 |
| 5.0 | 21.0 × 31.0 × 31.5 | — | B32774X7505+000 | 9.0 | 11.1 | 29.0 | 0.8 | 5.8 | 784 |
| 6.0 | 22.0 × 36.5 × 31.5 | *) | B32774X7605+000 | 10.8 | 9.5 | 33.0 | 0.8 | 6.0 | 784 |
| $V_{\text{R,85 °C}} = 1200 \text{ V DC}$ | | | | | | | | | |
| 0.68 | 9.0 × 18.0 × 31.5 | — | B32774X1684+000 | 2.2 | 65.3 | 17.0 | 0.8 | 4.8 | 2400 |
| 1.0 | 11.0 × 21.0 × 31.5 | — | B32774X1105+000 | 3.0 | 45.5 | 18.0 | 0.8 | 4.8 | 2352 |
| 1.5 | 12.5 × 21.5 × 31.5 | — | B32774X1155K000 | 4.4 | 31.3 | 20.0 | 0.8 | 4.8 | 2100 |
| 2.0 | 15.0 × 24.5 × 31.5 | — | B32774X1205+000 | 6.1 | 22.0 | 22.8 | 0.8 | 4.8 | 1680 |
| 3.0 | 18.0 × 27.5 × 31.5 | — | B32774X1305K000 | 7.0 | 16.0 | 24.0 | 0.8 | 4.9 | 1428 |
| 4.0 | 22.0 × 36.5 × 31.5 | *) | B32774X1405+000 | 9.4 | 11.5 | 29.0 | 0.8 | 5.1 | 784 |
| 5.0 | 22.0 × 36.5 × 31.5 | *) | B32774X1505K000 | 10.5 | 9.8 | 33.0 | 0.8 | 5.1 | 784 |

MOQ = Minimum Order Quantity, consisting of 4 packing units.

Intermediate capacitance values are available on request.

*) 4-pin version available on request

Composition of ordering code

+ = Capacitance tolerance code:

K = ±10%

J = ±5%

Packing code:

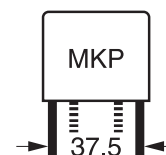
000 = untaped (lead length 6 – 1 mm)

Other lead lengths available upon request

7) Capacitance value measured at 1 kHz

8) Max. ripple current I_{RMS} at 70 °C at 10 kHz for a $\Delta T \leq 20$ °C when $\Delta \text{ESR}_{\text{typ}} \leq \pm 5\%$

9) ESL value measured at resonance frequency (see specific graphs of Z versus frequency)

B32776Y/Z
MKP DC link

Ordering codes and packing units (lead spacing 37.5 mm)

| $C_R^{1)}$ μF | Max. dimensions $w \times h \times l$ mm | P_1 mm | Ordering code (composition see below) | $I_{\text{RMS,max}}^{2)}$ 70 °C 10 kHz A | ESR_{typ} 70 °C 10 kHz mΩ | $\text{ESL}_{\text{typ}}^{3)}$ 70 °C nH | $\tan \delta$ max. 1 kHz 10^{-3} | $\tan \delta$ max. 10 kHz 10^{-3} | Un- taped pcs./ MOQ |
|---|--|-------------|---|---|--|---|---|--|------------------------------|
| $V_{\text{R,85 °C}} = 500 \text{ V DC}$ | | | | | | | | | |
| 12.0 | 24.0 × 15.0 × 42.0 | — | B32776Y4126K000 | 7.0 | 17.1 | 19.0 | 2.2 | 21.0 | 1040 |
| 16.0 | 24.0 × 19.0 × 42.0 | — | B32776Y4166K000 | 8.0 | 13.0 | 18.0 | 2.3 | 21.2 | 780 |
| 30.0 | 20.0 × 39.5 × 42.0 | 10.2 | B32776Z4306+000 | 14.0 | 7.0 | 11.0 | 2.3 | 21.3 | 640 |
| 30.0 | 20.0 × 39.5 × 42.0 | — | B32776Y4306+000 | 14.0 | 7.3 | 28.0 | 2.4 | 22.3 | 640 |
| 35.0 | 28.0 × 37.0 × 42.0 | 10.2 | B32776Z4356+000 | 16.5 | 6.0 | 10.0 | 2.3 | 21.4 | 440 |
| 35.0 | 28.0 × 37.0 × 42.0 | — | B32776Y4356+000 | 16.0 | 6.4 | 24.0 | 2.4 | 22.6 | 440 |
| 40.0 | 28.0 × 37.0 × 42.0 | 10.2 | B32776Z4406+000 | 17.5 | 5.3 | 11.0 | 2.3 | 21.4 | 440 |
| 40.0 | 28.0 × 37.0 × 42.0 | — | B32776Y4406+000 | 17.0 | 5.6 | 26.0 | 2.4 | 22.7 | 440 |
| 50.0 | 28.0 × 42.5 × 42.0 | 20.3 | B32776Z4506+000 | 20.0 | 4.3 | 12.0 | 2.3 | 21.7 | 440 |
| 50.0 | 28.0 × 42.5 × 42.0 | — | B32776Y4506+000 | 19.0 | 4.7 | 30.0 | 2.5 | 23.8 | 440 |
| 60.0 | 30.0 × 45.0 × 42.0 | 20.3 | B32776Z4606+000 | 23.5 | 3.6 | 14.0 | 2.4 | 22.3 | 400 |
| 60.0 | 30.0 × 45.0 × 42.0 | — | B32776Y4606+000 | 22.0 | 4.0 | 32.0 | 2.5 | 24.2 | 400 |
| 65.0 | 33.0 × 48.0 × 42.0 | 20.3 | B32776Z4656+000 | 25.5 | 3.3 | 14.0 | 2.3 | 22.2 | 180 |
| 120.0 | 42.0 × 60.0 × 42.0 | 20.3 | B32776Z4127K000 | 34.0 | 2.2 | 19.0 | 2.6 | 24.2 | 140 |
| $V_{\text{R,85 °C}} = 600 \text{ V DC}$ | | | | | | | | | |
| 8.5 | 24.0 × 15.0 × 42 | — | B32776Y5855+000 | 6.5 | 19.9 | 19.0 | 1.9 | 17.2 | 1040 |
| 12.0 | 24.0 × 19.0 × 42.0 | — | B32776Y5126K000 | 8.0 | 14.4 | 18.0 | 1.9 | 17.4 | 780 |
| 25.0 | 20.0 × 39.5 × 42.0 | 10.2 | B32776Z5256K000 | 14.0 | 7.0 | 12.0 | 1.9 | 17.5 | 640 |
| 25.0 | 20.0 × 39.5 × 42.0 | — | B32776Y5256K000 | 13.5 | 7.4 | 28.0 | 2.0 | 18.3 | 640 |
| 30.0 | 28.0 × 37.0 × 42.0 | 10.2 | B32776Z5306K000 | 16.5 | 5.8 | 11.0 | 1.9 | 17.6 | 440 |
| 30.0 | 28.0 × 37.0 × 42.0 | — | B32776Y5306K000 | 16.5 | 6.1 | 26.0 | 2.0 | 17.6 | 440 |
| 35.0 | 28.0 × 42.5 × 42.0 | 10.2 | B32776Z5356+000 | 19.0 | 5.0 | 12.0 | 1.9 | 17.8 | 440 |
| 35.0 | 28.0 × 42.5 × 42.0 | — | B32776Y5356+000 | 18.0 | 5.3 | 29.0 | 2.0 | 19.0 | 440 |
| 45.0 | 30.0 × 45.0 × 42.0 | 20.3 | B32776Z5456K000 | 22.0 | 4.0 | 13.0 | 1.9 | 17.9 | 400 |
| 45.0 | 30.0 × 45.0 × 42.0 | — | B32776Y5456K000 | 21.0 | 4.4 | 32.0 | 2.1 | 19.7 | 400 |
| 50.0 | 33.0 × 48.0 × 42.0 | 20.3 | B32776Z5506K000 | 25.0 | 3.5 | 14.0 | 2.0 | 18.1 | 180 |
| 85.0 | 42.0 × 60.0 × 42.0 | 20.3 | B32776Z5856K000 | 32.5 | 2.3 | 19.0 | 2.1 | 19.5 | 140 |

MOQ = Minimum Order Quantity, consisting of 4 packing units.

Intermediate capacitance values are available on request.

*) 4-pin version available on request

Composition of ordering code

+ = Capacitance tolerance code:

K = ±10%

J = ±5%

Packing code:

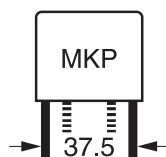
000 = untaped (lead length 6 – 1 mm)

Other lead lengths available upon request

1) Capacitance value measured at 1 kHz

 2) Max. ripple current I_{RMS} at 70 °C at 10 kHz for a $\Delta T \leq 20$ °C when $\Delta \text{ESR}_{\text{typ}} \leq \pm 5\%$

3) ESL value measured at resonance frequency (see specific graphs of Z versus frequency)


B32776Y/Z
MKP DC link
Ordering codes and packing units (lead spacing 37.5 mm)

| $C_R^{4)}$ | Max. dimensions $w \times h \times l$ | P_1 | Ordering code (composition see below) | $I_{RMS,max}^{5)}$ 70 °C 10 kHz A | ESR_{typ} 70 °C 10 kHz mΩ | $ESL_{typ}^{6)}$ 70 °C nH | $\tan \delta$ max. 1 kHz 10^{-3} | $\tan \delta$ max. 10 kHz 10^{-3} | Un- taped pcs./ MOQ |
|--|--|-------|---|--|--------------------------------------|---------------------------------|---|--|------------------------------|
| μF | mm | mm | | | | | | | |
| $V_{R,85\text{ °C}} = 800\text{ V DC}$ | | | | | | | | | |
| 6.8 | 24.0 × 15.0 × 42.0 | — | B32776Y8685+000 | 6.0 | 22.1 | 18.0 | 1.7 | 15.1 | 1040 |
| 8.5 | 24.0 × 19.0 × 42.0 | — | B32776Y8855+000 | 7.5 | 17.8 | 18.0 | 1.7 | 15.1 | 780 |
| 13.0 | 18.0 × 32.5 × 42.0 | — | B32776Y8136+000 | 10.0 | 11.5 | 23.0 | 1.8 | 16.3 | 720 |
| 15.0 | 20.0 × 39.5 × 42.0 | 10.2 | B32776Z8156+000 | 12.0 | 9.6 | 10.0 | 1.7 | 15.2 | 640 |
| 15.0 | 20.0 × 39.5 × 42.0 | — | B32776Y8156+000 | 11.5 | 10.3 | 24.0 | 1.7 | 15.7 | 640 |
| 20.0 | 28.0 × 37.0 × 42.0 | 10.2 | B32776Z8206+000 | 14.5 | 7.5 | 10.0 | 1.7 | 15.3 | 440 |
| 20.0 | 28.0 × 37.0 × 42.0 | — | B32776Y8206+000 | 14.5 | 7.8 | 24.0 | 1.7 | 15.9 | 440 |
| 22.0 | 28.0 × 37.0 × 42.0 | 10.2 | B32776Z8226+000 | 15.5 | 6.8 | 11.0 | 1.7 | 15.3 | 440 |
| 22.0 | 28.0 × 37.0 × 42.0 | — | B32776Y8226+000 | 15.0 | 7.1 | 25.0 | 1.7 | 16.0 | 440 |
| 25.0 | 28.0 × 42.5 × 42.0 | 20.3 | B32776Z8256+000 | 17.0 | 6.1 | 11.0 | 1.7 | 15.4 | 440 |
| 25.0 | 28.0 × 42.5 × 42.0 | — | B32776Y8256+000 | 16.5 | 6.4 | 28.0 | 1.8 | 16.3 | 440 |
| 30.0 | 30.0 × 45.0 × 42.0 | 20.3 | B32776Z8306+000 | 19.5 | 5.1 | 12.0 | 1.7 | 15.6 | 400 |
| 30.0 | 30.0 × 45.0 × 42.0 | — | B32776Y8306+000 | 19.0 | 5.5 | 30.0 | 1.8 | 16.7 | 400 |
| 35.0 | 33.0 × 48.0 × 42.0 | 20.3 | B32776Z8356+000 | 22.0 | 4.3 | 14.0 | 1.7 | 15.7 | 180 |
| 65.0 | 42.0 × 60.0 × 42.0 | 20.3 | B32776Z8656K000 | 30.0 | 2.6 | 19.0 | 1.8 | 16.8 | 140 |
| $V_{R,85\text{ °C}} = 900\text{ V DC}$ | | | | | | | | | |
| 5.0 | 24.0 × 15.0 × 42.0 | — | B32776Y9505+000 | 5.5 | 26.1 | 19.0 | 1.5 | 13.4 | 1040 |
| 7.5 | 24.0 × 19.0 × 42.0 | — | B32776Y9755K000 | 7.5 | 17.8 | 18.0 | 1.5 | 13.5 | 780 |
| 15.0 | 20.0 × 39.5 × 42.0 | 10.2 | B32776Z9156K000 | 12.5 | 9.1 | 12.0 | 1.5 | 13.6 | 640 |
| 15.0 | 20.0 × 39.5 × 42.0 | — | B32776Y9156K000 | 12.0 | 9.4 | 28.0 | 1.5 | 14.1 | 640 |
| 20.0 | 28.0 × 37.0 × 42.0 | 10.2 | B32776Z9206K000 | 15.0 | 7.0 | 11.0 | 1.5 | 13.6 | 440 |
| 20.0 | 28.0 × 37.0 × 42.0 | — | B32776Y9206K000 | 15.0 | 7.3 | 26.0 | 1.5 | 14.2 | 440 |
| 22.0 | 28.0 × 42.5 × 42.0 | 10.2 | B32776Z9226K000 | 17.0 | 6.3 | 12.0 | 1.5 | 13.7 | 440 |
| 22.0 | 28.0 × 42.5 × 42.0 | — | B32776Y9226K000 | 16.5 | 6.6 | 29.0 | 1.5 | 14.5 | 440 |
| 25.0 | 30.0 × 45.0 × 42.0 | 20.3 | B32776Z9256+000 | 19.0 | 5.5 | 13.0 | 1.5 | 13.8 | 400 |
| 25.0 | 30.0 × 45.0 × 42.0 | — | B32776Y9256+000 | 18.5 | 5.9 | 32.0 | 1.5 | 14.7 | 400 |
| 30.0 | 33.0 × 48.0 × 42.0 | 20.3 | B32776Z9306+000 | 21.5 | 4.7 | 14.0 | 1.5 | 13.9 | 180 |
| 50.0 | 42.0 × 60.0 × 42.0 | 20.3 | B32776Z9506K000 | 29.0 | 3.0 | 19.0 | 1.6 | 14.7 | 140 |

MOQ = Minimum Order Quantity, consisting of 4 packing units.

Intermediate capacitance values are available on request.

*) 4-pin version available on request

Composition of ordering code

+ = Capacitance tolerance code:

K = ±10%

J = ±5%

Packing code:

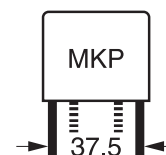
000 = untaped (lead length 6 – 1 mm)

Other lead lengths available upon request

4) Capacitance value measured at 1 kHz

 5) Max. ripple current I_{RMS} at 70 °C at 10 kHz for a $\Delta T \leq 20\text{ °C}$ when $\Delta ESR_{typ} \leq \pm 5\%$

6) ESL value measured at resonance frequency (see specific graphs of Z versus frequency)

B32776Y/Z
MKP DC link

Ordering codes and packing units (lead spacing 37.5 mm)

| $C_R^{7)}$ μF | Max. dimensions $w \times h \times l$ mm | P_1 mm | Ordering code (composition see below) | $I_{\text{RMS,max}}^{8)}$ 70 °C 10 kHz A | ESR_{typ} 70 °C 10 kHz m Ω | $\text{ESL}_{\text{typ}}^{9)}$ 70 °C nH | $\tan \delta$ max. 1 kHz 10^{-3} | $\tan \delta$ max. 10 kHz 10^{-3} | Un- taped pcs./ MOQ |
|--|--|-------------|---|---|--|---|---|--|------------------------------|
| $V_{\text{R,85 °C}} = 1000 \text{ V DC}$ | | | | | | | | | |
| 3.9 | 24.0 × 15.0 × 42.0 | — | B32776Y0395+000 | 5.0 | 30.5 | 18.0 | 1.4 | 12.1 | 1040 |
| 5.0 | 24.0 × 19.0 × 42.0 | — | B32776Y0505+000 | 6.5 | 23.6 | 18.0 | 1.4 | 12.1 | 780 |
| 12.0 | 20.0 × 39.5 × 42.0 | 10.2 | B32776Z0126+000 | 12.0 | 10.2 | 12.0 | 1.4 | 12.2 | 640 |
| 12.0 | 20.0 × 39.5 × 42.0 | — | B32776Y0126+000 | 11.5 | 10.5 | 28.0 | 1.4 | 12.6 | 640 |
| 14.0 | 28.0 × 37.0 × 42.0 | 10.2 | B32776Z0146+000 | 13.5 | 8.7 | 12.0 | 1.4 | 12.2 | 440 |
| 14.0 | 28.0 × 37.0 × 42.0 | — | B32776Y0146+000 | 13.5 | 9.0 | 25.0 | 1.4 | 12.6 | 440 |
| 16.0 | 28.0 × 42.5 × 42.0 | 10.2 | B32776Z0166+000 | 15.5 | 7.4 | 12.0 | 1.4 | 12.3 | 440 |
| 16.0 | 28.0 × 42.5 × 42.0 | — | B32776Y0166+000 | 15.0 | 7.8 | 30.0 | 1.4 | 12.9 | 440 |
| 20.0 | 30.0 × 45.0 × 42.0 | 20.3 | B32776Z0206+000 | 18.0 | 6.0 | 14.0 | 1.4 | 12.4 | 400 |
| 20.0 | 30.0 × 45.0 × 42.0 | — | B32776Y0206+000 | 17.5 | 6.5 | 32.0 | 1.4 | 13.1 | 400 |
| 22.0 | 33.0 × 48.0 × 42.0 | 20.3 | B32776Z0226+000 | 21.0 | 4.9 | 15.0 | 1.3 | 11.4 | 180 |
| 40.0 | 42.0 × 60.0 × 42.0 | 20.3 | B32776Z0406K000 | 27.5 | 3.3 | 19.0 | 1.4 | 13.1 | 140 |
| $V_{\text{R,85 °C}} = 1100 \text{ V DC}$ | | | | | | | | | |
| 3.5 | 24.0 × 15.0 × 42.0 | — | B32776Y7355+000 | 5.2 | 30.5 | 19.2 | 1.3 | 11.8 | 1040 |
| 4.5 | 24.0 × 19.0 × 42.0 | — | B32776Y7455+000 | 5.6 | 29.5 | 20.0 | 1.3 | 11.8 | 780 |
| 6.0 | 20.0 × 39.5 × 42.0 | — | B32776Y7605+000 | 8.0 | 17.2 | 23.8 | 1.3 | 11.8 | 640 |
| 10.0 | 28.0 × 37.0 × 42.0 | 10.2 | B32776Z7106+000 | 12.0 | 10.0 | 12.0 | 1.3 | 11.7 | 440 |
| 10.0 | 28.0 × 37.0 × 42.0 | — | B32776Y7106+000 | 12.0 | 10.5 | 25.6 | 1.3 | 11.7 | 440 |
| 12.0 | 28.0 × 42.5 × 42.0 | 10.2 | B32776Z7126+000 | 13.3 | 8.5 | 12.9 | 1.3 | 11.6 | 440 |
| 12.0 | 28.0 × 42.5 × 42.0 | — | B32776Y7126+000 | 14.0 | 8.9 | 27.6 | 1.3 | 11.6 | 440 |
| 16.0 | 30.0 × 45.0 × 42.0 | 20.3 | B32776Z7166+000 | 17.0 | 6.4 | 13.5 | 1.3 | 11.6 | 400 |
| 16.0 | 30.0 × 45.0 × 42.0 | — | B32776Y7166+000 | 16.0 | 6.8 | 33.8 | 1.3 | 11.5 | 400 |
| 20.0 | 33.0 × 48.0 × 42.0 | 20.3 | B32776Z7206+000 | 19.0 | 5.2 | 14.4 | 1.3 | 11.5 | 180 |
| 30.0 | 42.0 × 60.0 × 42.0 | 20.3 | B32776Z7306+000 | 25.5 | 3.8 | 18.0 | 1.3 | 11.7 | 140 |

MOQ = Minimum Order Quantity, consisting of 4 packing units.

Intermediate capacitance values are available on request.

*) 4-pin version available on request

Composition of ordering code

+ = Capacitance tolerance code:

 K = $\pm 10\%$

 J = $\pm 5\%$

Packing code:

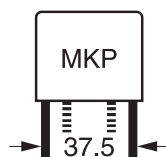
000 = untaped (lead length 6 – 1 mm)

Other lead lengths available upon request

7) Capacitance value measured at 1 kHz

 8) Max. ripple current I_{RMS} at 70 °C at 10 kHz for a $\Delta T \leq 20$ °C when $\Delta \text{ESR}_{\text{typ}} \leq \pm 5\%$

9) ESL value measured at resonance frequency (see specific graphs of Z versus frequency)



B32776Y/Z

MKP DC link

Ordering codes and packing units (lead spacing 37.5 mm)

| $C_R^{10)}$ μF | Max. dimensions $w \times h \times l$ mm | P_1 mm | Ordering code (composition see below) | $I_{\text{RMS,max}}^{11)}$ 70 °C 10 kHz A | ESR_{typ} 70 °C 10 kHz mΩ | $\text{ESL}_{\text{typ}}^{12)}$ 70 °C nH | $\tan \delta$ max. 1 kHz 10^{-3} | $\tan \delta$ max. 10 kHz 10^{-3} | Un- taped pcs./ MOQ |
|--|--|-------------|---|--|--|--|---|--|------------------------------|
| $V_{\text{R,85 °C}} = 1200 \text{ V DC}$ | | | | | | | | | |
| 2.7 | 24.0 × 15.0 × 42.0 | — | B32776Y1275+000 | 5.0 | 34.7 | 19.0 | 1.1 | 9.6 | 1040 |
| 3.5 | 24.0 × 19.0 × 42.0 | — | B32776Y1355+000 | 6.0 | 27.4 | 18.0 | 1.1 | 9.7 | 780 |
| 8.0 | 20.0 × 39.5 × 42.0 | 10.2 | B32776Z1805+000 | 11.0 | 12.1 | 12.0 | 1.1 | 9.7 | 640 |
| 8.0 | 20.0 × 39.5 × 42.0 | — | B32776Y1805+000 | 10.5 | 12.4 | 24.0 | 1.1 | 10.0 | 640 |
| 10.0 | 28.0 × 37.0 × 42.0 | 10.2 | B32776Z1106+000 | 13.0 | 9.6 | 11.0 | 1.1 | 9.7 | 440 |
| 10.0 | 28.0 × 37.0 × 42.0 | — | B32776Y1106+000 | 12.5 | 9.9 | 26.0 | 1.2 | 10.0 | 440 |
| 12.0 | 28.0 × 42.5 × 42.0 | 10.2 | B32776Z1126+000 | 14.5 | 8.1 | 12.0 | 1.1 | 9.8 | 440 |
| 12.0 | 28.0 × 42.5 × 42.0 | — | B32776Y1126+000 | 14.0 | 8.5 | 28.0 | 1.2 | 10.1 | 440 |
| 14.0 | 30.0 × 45.0 × 42.0 | 20.3 | B32776Z1146+000 | 17.0 | 6.8 | 14.0 | 1.1 | 10.1 | 400 |
| 14.0 | 30.0 × 45.0 × 42.0 | — | B32776Y1146+000 | 16.5 | 7.3 | 32.0 | 1.2 | 10.4 | 400 |
| 16.0 | 33.0 × 48.0 × 42.0 | 20.3 | B32776Z1166+000 | 19.0 | 6.0 | 15.0 | 1.1 | 9.9 | 180 |
| 25.0 | 42.0 × 60.0 × 42.0 | 20.3 | B32776Z1256+000 | 24.5 | 4.0 | 18.0 | 1.1 | 10.4 | 140 |

MOQ = Minimum Order Quantity, consisting of 4 packing units.

Intermediate capacitance values are available on request.

*) 4-pin version available on request

Composition of ordering code

+ = Capacitance tolerance code:

K = ±10%

J = ±5%

Packing code:

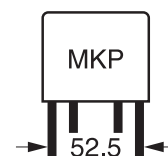
000 = untaped (lead length 6 – 1 mm)

Other lead lengths available upon request

10) Capacitance value measured at 1 kHz

11) Max. ripple current I_{RMS} at 70 °C at 10 kHz for a $\Delta T \leq 20$ °C when $\Delta \text{ESR}_{\text{typ}} \leq \pm 5\%$

12) ESL value measured at resonance frequency (see specific graphs of Z versus frequency)

B32778Z
MKP DC link

Ordering codes and packing units (lead spacing 52.5 mm)

| $C_R^{1)}$ μF | Max. dimensions $w \times h \times l$ mm | P_1 mm | Ordering code (composition see below) | $I_{\text{RMS,max}}^{2)}$ 70 °C 10 kHz A | ESR_{typ} 70 °C 10 kHz m Ω | $\text{ESL}_{\text{typ}}^{3)}$ 70 °C nH | $\tan \delta$ max. 1 kHz 10^{-3} | $\tan \delta$ max. 10 kHz 10^{-3} | Un- taped pcs./ MOQ |
|---|--|-------------|---|---|--|---|---|--|------------------------------|
| $V_{\text{R,85 °C}} = 500 \text{ V DC}$ | | | | | | | | | |
| 55.0 | 43.0 × 24.0 × 57.5 | 20.3 | B32778Z4556K000 | 16.5 | 7.2 | 13.0 | 4.3 | 41.7 | 560 |
| 75.0 | 30.0 × 45.0 × 57.5 | 20.3 | B32778Z4756+000 | 21.0 | 5.6 | 12.0 | 4.4 | 42.6 | 280 |
| 80.0 | 30.0 × 45.0 × 57.5 | 20.3 | B32778Z4806+000 | 21.5 | 5.3 | 13.0 | 4.4 | 42.7 | 280 |
| 100.0 | 35.0 × 50.0 × 57.5 | 20.3 | B32778Z4107+000 | 26.0 | 4.3 | 14.0 | 4.5 | 43.3 | 108 |
| 110.0 | 35.0 × 50.0 × 57.5 | 20.3 | B32778Z4117K000 | 27.0 | 3.9 | 15.0 | 4.5 | 43.6 | 108 |
| 130.0 | 38.0 × 57.5 × 57.5 | 20.3 | B32778Z4137+000 | 28.0 | 3.5 | 16.0 | 4.6 | 45.0 | 96 |
| 155.0 | 45.0 × 55.0 × 57.5 | 20.3 | B32778Z4157+000 | 33.5 | 3.0 | 18.0 | 4.6 | 45.6 | 84 |
| 170.0 | 45.0 × 57.0 × 57.5 | 20.3 | B32778Z4177+000 | 36.5 | 2.6 | 17.0 | 4.6 | 45.7 | 84 |
| $V_{\text{R,85 °C}} = 600 \text{ V DC}$ | | | | | | | | | |
| 40.0 | 43.0 × 24.0 × 57.5 | 20.3 | B32778Z5406K000 | 15.5 | 8.5 | 13.0 | 3.6 | 34.5 | 420 |
| 55.0 | 30.0 × 45.0 × 57.5 | 20.3 | B32778Z5556+000 | 19.5 | 6.5 | 12.0 | 3.7 | 35.0 | 280 |
| 60.0 | 30.0 × 45.0 × 57.5 | 20.3 | B32778Z5606+000 | 20.5 | 5.8 | 13.0 | 3.7 | 35.3 | 280 |
| 75.0 | 35.0 × 50.0 × 57.5 | 20.3 | B32778Z5756+000 | 24.0 | 4.9 | 14.0 | 3.7 | 35.8 | 108 |
| 80.0 | 35.0 × 50.0 × 57.5 | 20.3 | B32778Z5806+000 | 25.5 | 4.4 | 15.0 | 3.7 | 36.0 | 108 |
| 90.0 | 38.0 × 57.5 × 57.5 | 20.3 | B32778Z5906+000 | 27.0 | 4.0 | 16.0 | 3.9 | 37.0 | 96 |
| 95.0 | 38.0 × 57.5 × 57.5 | 20.3 | B32778Z5956+000 | 28.0 | 3.5 | 17.0 | 3.9 | 37.3 | 96 |
| 110.0 | 45.0 × 55.0 × 57.5 | 20.3 | B32778Z5117+000 | 31.5 | 3.3 | 18.0 | 3.9 | 37.4 | 84 |
| 120.0 | 45.0 × 57.0 × 57.5 | 20.3 | B32778Z5127+000 | 34.5 | 3.1 | 18.0 | 3.9 | 37.5 | 84 |
| $V_{\text{R,85 °C}} = 800 \text{ V DC}$ | | | | | | | | | |
| 30.0 | 43.0 × 24.0 × 57.5 | 20.3 | B32778Z8306K000 | 14.5 | 9.8 | 14.0 | 3.2 | 30.2 | 560 |
| 45.0 | 30.0 × 45.0 × 57.5 | 20.3 | B32778Z8456+000 | 19.5 | 6.6 | 14.0 | 3.2 | 30.9 | 280 |
| 50.0 | 30.0 × 45.0 × 57.5 | 20.3 | B32778Z8506K000 | 20.0 | 6.3 | 14.0 | 3.2 | 30.9 | 280 |
| 55.0 | 35.0 × 50.0 × 57.5 | 20.3 | B32778Z8556+000 | 23.0 | 5.6 | 14.0 | 3.2 | 31.1 | 108 |
| 60.0 | 35.0 × 50.0 × 57.5 | 20.3 | B32778Z8606+000 | 23.5 | 5.1 | 15.0 | 3.3 | 31.2 | 108 |
| 70.0 | 38.0 × 57.5 × 57.5 | 20.3 | B32778Z8706+000 | 25.0 | 4.6 | 16.0 | 3.4 | 32.2 | 96 |
| 75.0 | 38.0 × 57.5 × 57.5 | 20.3 | B32778Z8756+000 | 26.0 | 4.3 | 17.0 | 3.4 | 32.4 | 96 |
| 85.0 | 45.0 × 55.0 × 57.5 | 20.3 | B32778Z8856+000 | 30.5 | 3.8 | 18.0 | 3.4 | 32.5 | 84 |
| 90.0 | 45.0 × 57.0 × 57.5 | 20.3 | B32778Z8906+000 | 32.5 | 3.5 | 18.0 | 3.4 | 32.5 | 84 |

MOQ = Minimum Order Quantity, consisting of 4 packing units.

Intermediate capacitance values are available on request.

*) 4-pin version available on request

Composition of ordering code

+ = Capacitance tolerance code:

 K = $\pm 10\%$

 J = $\pm 5\%$

Packing code:

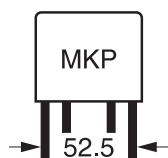
000 = untaped (lead length 6 – 1 mm)

Other lead lengths available upon request

1) Capacitance value measured at 1 kHz

 2) Max. ripple current I_{RMS} at 70 °C at 10 kHz for a $\Delta T \leq 20$ °C when $\Delta \text{ESR}_{\text{typ}} \leq \pm 5\%$

3) ESL value measured at resonance frequency (see specific graphs of Z versus frequency)


B32778Z
MKP DC link
Ordering codes and packing units (lead spacing 52.5 mm)

| $C_R^{4)}$ μF | Max. dimensions $w \times h \times l$ mm | P_1 mm | Ordering code (composition see below) | $I_{\text{RMS,max}}^{5)}$ 70 °C 10 kHz A | $\text{ESR}_{\text{typ}}^{6)}$ 70 °C 10 kHz mΩ | $\text{ESL}_{\text{typ}}^{6)}$ 70 °C nH | $\tan \delta$ max. 1 kHz 10^{-3} | $\tan \delta$ max. 10 kHz 10^{-3} | Un- taped pcs./ MOQ |
|--|--|-------------|---|---|---|---|---|--|------------------------------|
| $V_{\text{R,85 °C}} = 900 \text{ V DC}$ | | | | | | | | | |
| 25.0 | 43.0 × 24.0 × 57.5 | 20.3 | B32778Z9256K000 | 13.5 | 10.7 | 13.0 | 2.8 | 26.8 | 560 |
| 35.0 | 30.0 × 45.0 × 57.5 | 20.3 | B32778Z9356+000 | 18.0 | 7.7 | 13.0 | 2.9 | 27.3 | 280 |
| 45.0 | 35.0 × 50.0 × 57.5 | 20.3 | B32778Z9456+000 | 19.0 | 7.0 | 13.0 | 2.9 | 27.5 | 108 |
| 50.0 | 35.0 × 50.0 × 57.5 | 20.3 | B32778Z9506K000 | 22.5 | 5.6 | 15.0 | 2.9 | 27.7 | 108 |
| 55.0 | 38.0 × 57.5 × 57.5 | 20.3 | B32778Z9556+000 | 23.5 | 5.2 | 16.0 | 3.0 | 28.2 | 96 |
| 60.0 | 38.0 × 57.5 × 57.5 | 20.3 | B32778Z9606+000 | 24.5 | 4.9 | 17.0 | 3.0 | 28.4 | 96 |
| 65.0 | 45.0 × 55.0 × 57.5 | 20.3 | B32778Z9656+000 | 29.0 | 4.4 | 18.0 | 3.0 | 28.4 | 84 |
| 70.0 | 45.0 × 57.0 × 57.5 | 20.3 | B32778Z9706+000 | 31.0 | 3.8 | 18.0 | 3.0 | 28.5 | 84 |
| $V_{\text{R,85 °C}} = 1000 \text{ V DC}$ | | | | | | | | | |
| 20.0 | 43.0 × 24.0 × 57.5 | 20.3 | B32778Z0206K000 | 13.0 | 11.9 | 13.0 | 2.6 | 24.1 | 560 |
| 25.0 | 30.0 × 45.0 × 57.5 | 20.3 | B32778Z0256+000 | 16.0 | 8.9 | 13.0 | 2.6 | 24.5 | 280 |
| 30.0 | 30.0 × 45.0 × 57.5 | 20.3 | B32778Z0306K000 | 17.5 | 8.2 | 13.0 | 2.6 | 24.6 | 280 |
| 35.0 | 35.0 × 50.0 × 57.5 | 20.3 | B32778Z0356+000 | 19.5 | 7.2 | 14.0 | 2.7 | 25.1 | 108 |
| 40.0 | 35.0 × 50.0 × 57.5 | 20.3 | B32778Z0406+000 | 21.5 | 6.2 | 15.0 | 2.7 | 25.5 | 108 |
| 45.0 | 38.0 × 57.5 × 57.5 | 20.3 | B32778Z0456+000 | 22.5 | 5.6 | 16.0 | 2.7 | 25.6 | 96 |
| 50.0 | 38.0 × 57.5 × 57.5 | 20.3 | B32778Z0506+000 | 23.5 | 5.3 | 17.0 | 2.7 | 25.8 | 96 |
| 55.0 | 45.0 × 55.0 × 57.5 | 20.3 | B32778Z0556+000 | 27.0 | 4.8 | 18.0 | 2.7 | 25.9 | 84 |
| 58.0 | 45.0 × 57.0 × 57.5 | 20.3 | B32778Z0586+000 | 29.0 | 4.3 | 18.0 | 2.7 | 26.0 | 84 |
| $V_{\text{R,85 °C}} = 1100 \text{ V DC}$ | | | | | | | | | |
| 16.0 | 43.0 × 24.0 × 57.5 | 20.3 | B32778Z7166+000 | 12.5 | 13.5 | 13.0 | 2.4 | 23.0 | 560 |
| 25.0 | 30.0 × 45.0 × 57.5 | 20.3 | B32778Z7226+000 | 15.5 | 9.8 | 14.0 | 2.4 | 23.5 | 280 |
| 28.0 | 35.0 × 50.0 × 57.5 | 20.3 | B32778Z7256K000 | 16.5 | 8.7 | 14.0 | 2.4 | 23.5 | 108 |
| 28.0 | 35.0 × 50.0 × 57.5 | 20.3 | B32778Z7286+000 | 19.0 | 7.7 | 15.0 | 2.5 | 23.5 | 108 |
| 35.0 | 38.0 × 57.0 × 57.5 | 20.3 | B32778Z7356+000 | 23.0 | 6.3 | 17.0 | 2.5 | 24.2 | 96 |
| 35.0 | 38.0 × 57.5 × 57.5 | 20.3 | B32778Z7306+000 | 23.0 | 5.7 | 17.4 | 2.5 | 24.2 | 96 |
| 45.0 | 45.0 × 57.0 × 57.5 | 20.3 | B32778Z7456+000 | 27.5 | 4.8 | 18.0 | 2.5 | 24.5 | 84 |

MOQ = Minimum Order Quantity, consisting of 4 packing units.

Intermediate capacitance values are available on request.

*) 4-pin version available on request

Composition of ordering code

+ = Capacitance tolerance code:

K = ±10%

J = ±5%

Packing code:

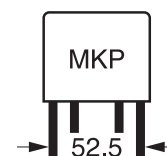
000 = untaped (lead length 6 – 1 mm)

Other lead lengths available upon request

4) Capacitance value measured at 1 kHz

5) Max. ripple current I_{RMS} at 70 °C at 10 kHz for a $\Delta T \leq 20$ °C when $\Delta \text{ESR}_{\text{typ}} \leq \pm 5\%$

6) ESL value measured at resonance frequency (see specific graphs of Z versus frequency)

B32778Z
MKP DC link

Ordering codes and packing units (lead spacing 52.5 mm)

| $C_R^{7)}$ μF | Max. dimensions $w \times h \times l$ mm | P_1 mm | Ordering code (composition see below) | $I_{\text{RMS,max}}^{8)}$ 70 °C 10 kHz A | $\text{ESR}_{\text{typ}}^{8)}$ 70 °C 10 kHz mΩ | $\text{ESL}_{\text{typ}}^{9)}$ 70 °C nH | $\tan \delta$ max. 1 kHz 10^{-3} | $\tan \delta$ max. 10 kHz 10^{-3} | Un- taped pcs./ MOQ |
|--|--|-------------|---|---|---|---|---|--|------------------------------|
| $V_{\text{R,85 °C}} = 1200 \text{ V DC}$ | | | | | | | | | |
| 14.0 | 43.0 × 24.0 × 57.5 | 20.3 | B32778Z1146K000 | 12.0 | 13.8 | 13.0 | 2.1 | 19.5 | 560 |
| 20.0 | 30.0 × 45.0 × 57.5 | 20.3 | B32778Z1206+000 | 16.0 | 9.7 | 13.0 | 2.1 | 19.8 | 280 |
| 25.0 | 35.0 × 50.0 × 57.5 | 20.3 | B32778Z1256+000 | 19.0 | 7.8 | 15.0 | 2.1 | 19.9 | 108 |
| 27.0 | 35.0 × 50.0 × 57.5 | 20.3 | B32778Z1276+000 | 19.5 | 7.3 | 15.0 | 2.1 | 20.0 | 108 |
| 30.0 | 38.0 × 57.5 × 57.5 | 20.3 | B32778Z1306+000 | 21.0 | 6.8 | 16.0 | 2.2 | 20.2 | 96 |
| 33.0 | 38.0 × 57.5 × 57.5 | 20.3 | B32778Z1336+000 | 22.0 | 6.0 | 17.0 | 2.2 | 20.2 | 96 |
| 35.0 | 45.0 × 55.0 × 57.5 | 20.3 | B32778Z1356+000 | 24.5 | 5.7 | 18.0 | 2.2 | 20.4 | 84 |
| 40.0 | 45.0 × 57.0 × 57.5 | 20.3 | B32778Z1406+000 | 26.5 | 5.0 | 18.0 | 2.2 | 20.5 | 84 |

MOQ = Minimum Order Quantity, consisting of 4 packing units.

Intermediate capacitance values are available on request.

*) 4-pin version available on request

Composition of ordering code

+ = Capacitance tolerance code:

K = ±10%

J = ±5%

Packing code:

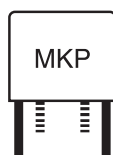
000 = untaped (lead length 6 – 1 mm)

Other lead lengths available upon request

7) Capacitance value measured at 1 kHz

8) Max. ripple current I_{RMS} at 70 °C at 10 kHz for a $\Delta T \leq 20$ °C when $\Delta \text{ESR}_{\text{typ}} \leq \pm 5\%$

9) ESL value measured at resonance frequency (see specific graphs of Z versus frequency)



B3277*X/Y/Z

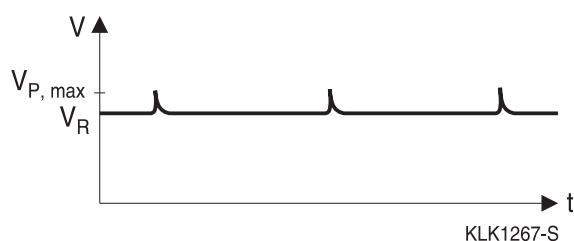
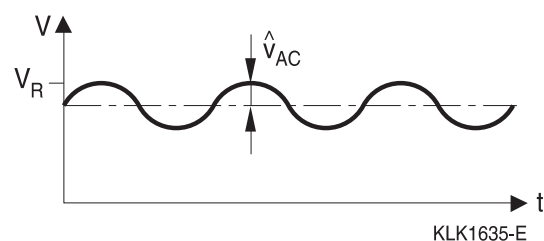
MKP DC link

Technical data

Reference standard: IEC 61071. All data given at $T = 20\text{ °C}$, unless otherwise specified.

| | | | | | | | |
|---|--|-----|-----|-----|------|------|------|
| Rated temperature T_R | +85 °C | | | | | | |
| Operating temperature range (case) | Max. operating temperature, $T_{op,max}$ +105 °C Upper category temperature T_{max} +105 °C Lower category temperature T_{min} -40 °C | | | | | | |
| Insulation resistance R_{ins} given as time constant $\tau = C_R \cdot R_{ins}$, rel. humidity $\leq 65\%$ (minimum as-delivered values) | $\tau > 10000\text{ s}$ (after 1 min) for $V_R \geq 500\text{ V DC}$ measured at 500 V DC | | | | | | |
| DC voltage test between terminals (10 s) | $1.5 \cdot V_R$ | | | | | | |
| Voltage test terminal to case (10 s) | 2110 V AC, 50 Hz | | | | | | |
| Pulse handling capability (V/ μ s) | I_P (A) / C (μ F) | | | | | | |
| V_R (V DC) at 85 °C | 500 | 600 | 800 | 900 | 1000 | 1100 | 1200 |
| Continuous operating voltage (V_{op}) at T_{op} of 85 °C | 500 | 600 | 800 | 900 | 1000 | 1100 | 1200 |
| For temperatures between 85 °C and 105 °C | 1.33%/°C of V_{op} derating compared to V_{op} at 85 °C | | | | | | |
| Reliability: Failure rate λ Service life t_{SL} | 10 fit ($\leq 10 \cdot 10^{-9}\text{ h}$) at $0.5 \cdot V_R$, 40 °C 50 000 h at V_R , 85 °C For conversion to other operating conditions and temperatures, refer to chapter "Quality, 2 Reliability". | | | | | | |

Typical waveforms

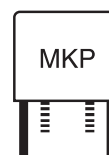


Restrictions:

V_R : Maximum operating peak voltage of either polarity but of a non-reversing waveform, for which the capacitor has been designed for continuous operation.

B3277*X/Y/Z

MKP DC link



$$\hat{u}_{AC} \leq 0.2 \cdot V_R$$

| Overvoltage | Maximum duration within one day | Observation |
|-----------------------|---------------------------------|-------------------|
| 1.1 · V _R | 30% of on-load duration | System regulation |
| 1.15 · V _R | 30 min. | System regulation |
| 1.2 · V _R | 5 min. | System regulation |
| 1.3 · V _R | 1 min. | System regulation |

NOTE 1 An overvoltage equal to 1.5 · V_R for 30 ms is permitted 1000 times during the life of the capacitor.

The amplitudes of the overvoltages that may be tolerated without significant reduction in the life time of the capacitor depend on their duration, the number of application and the capacitor temperature.

In addition these values assume that the overvoltages may appear when the internal temperature of the capacitor is less than 0 °C but within the temperature category.

NOTE 2 The average applied voltage must not be higher than the specified voltage.

Pulse handling capability

"dV/dt" represents the maximum permissible voltage change per unit of time for non-sinusoidal voltages, expressed in V/μs.

Note:

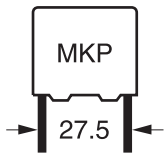
The values of dV/dt provided below must not be exceeded in order to avoid damaging the capacitor.

dV/dt values

| | | | | | | | |
|-----------------------|---------|-----|-----|-----|------|------|------|
| Lead spacing | 27.5 mm | | | | | | |
| Type | B32774X | | | | | | |
| V _R (V DC) | 500 | 600 | 800 | 900 | 1000 | 1100 | 1200 |
| dV/dt in V/μs | 30 | 35 | 40 | 50 | 75 | 85 | 100 |

| | | | | | | | |
|-----------------------|----------|-----|-----|-----|------|------|------|
| Lead spacing | 37.5 mm | | | | | | |
| Type | B32776YZ | | | | | | |
| V _R (V DC) | 500 | 600 | 800 | 900 | 1000 | 1100 | 1200 |
| dV/dt in V/μs | 21 | 22 | 22 | 35 | 54 | 60 | 73 |

| | | | | | | | |
|-----------------------|---------|-----|-----|-----|------|------|------|
| Lead spacing | 52.5 mm | | | | | | |
| Type | B32778Z | | | | | | |
| V _R (V DC) | 500 | 600 | 800 | 900 | 1000 | 1100 | 1200 |
| dV/dt in V/μs | 14 | 14 | 15 | 22 | 35 | 40 | 50 |



B32774X

MKP DC link

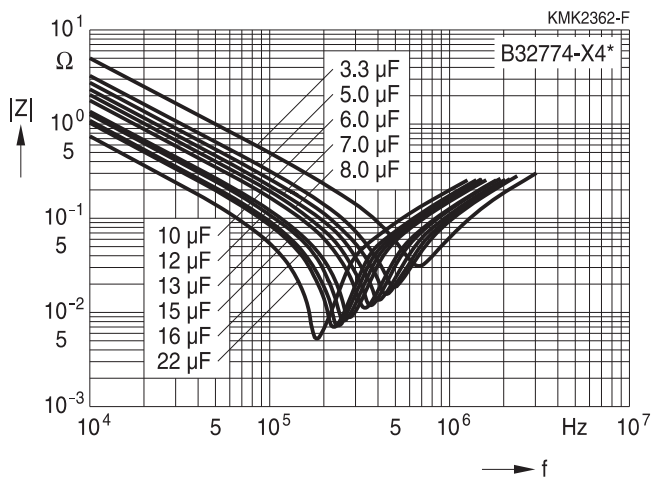
Characteristics curves

Additional technical information can be found under "Design support" on www.epcos.com.

Impedance Z versus frequency f
(typical values)

Lead spacing 27.5 mm (2 pins)

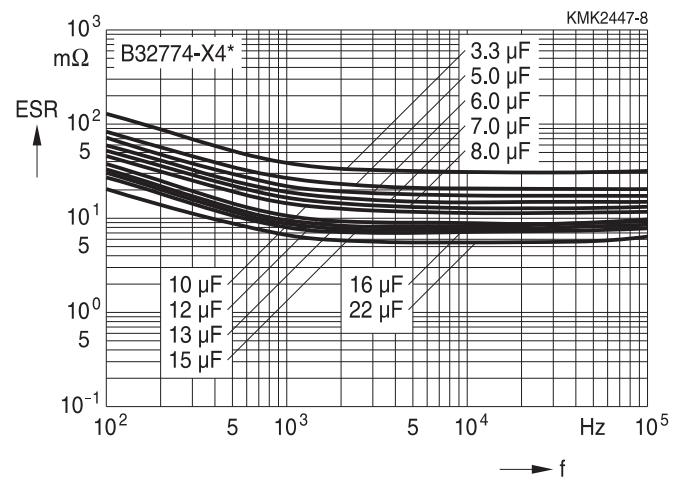
500 V DC



ESR versus frequency f
(typical values)

Lead spacing 27.5 mm (2 pins)

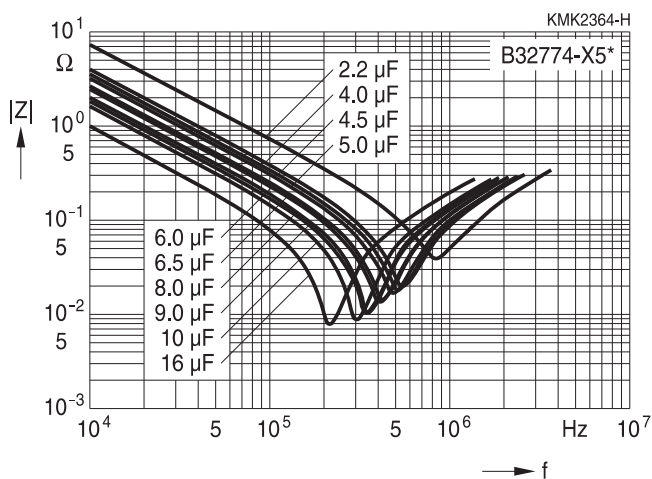
500 V DC



Impedance Z versus frequency f
(typical values)

Lead spacing 27.5 mm (2 pins)

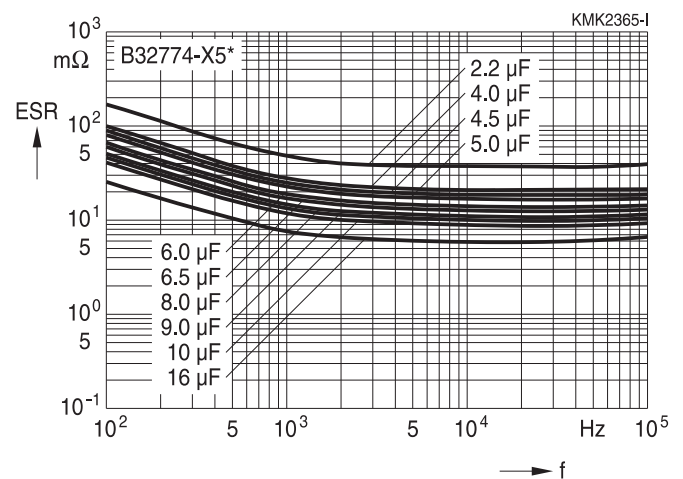
600 V DC

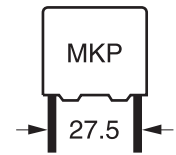


ESR versus frequency f
(typical values)

Lead spacing 27.5 mm (2 pins)

600 V DC





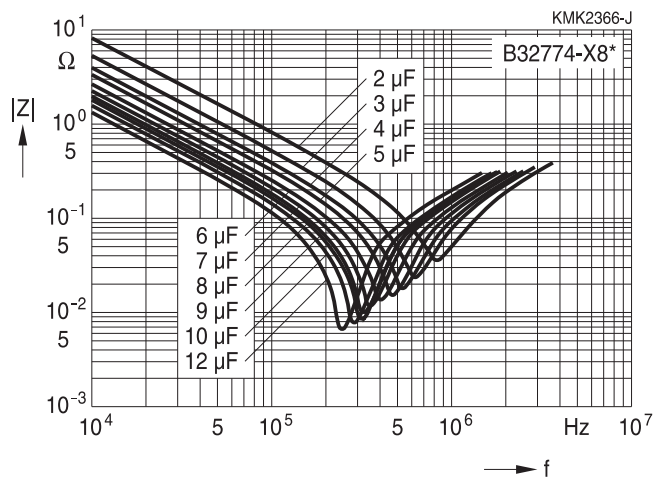
B32774X
MKP DC link

Characteristics curves

Additional technical information can be found under "Design support" on www.epcos.com.

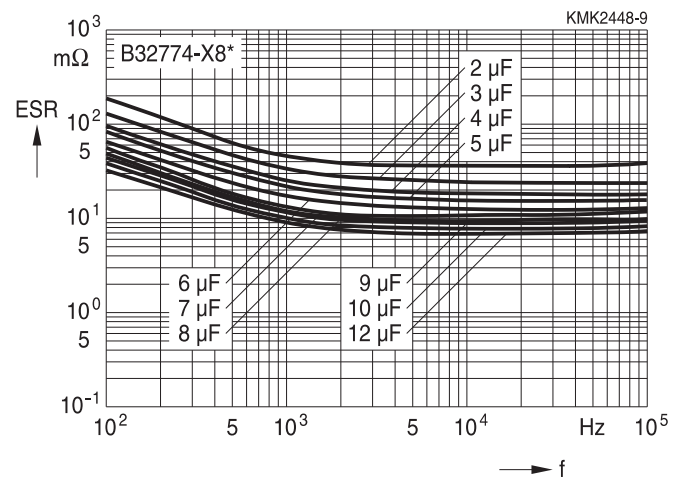
Impedance Z versus frequency f (typical values)

Lead spacing 27.5 mm (2 pins)
800 V DC



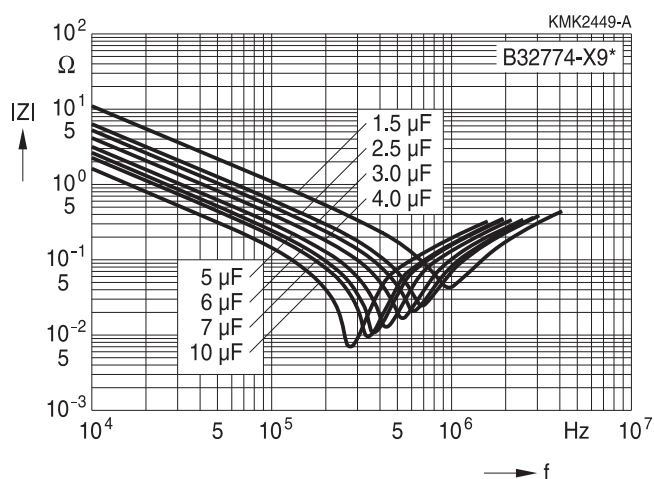
ESR versus frequency f (typical values)

Lead spacing 27.5 mm (2 pins)
800 V DC



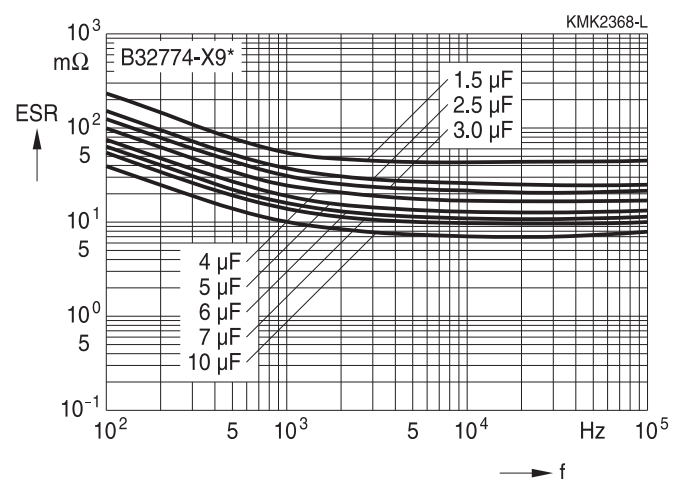
Impedance Z versus frequency f (typical values)

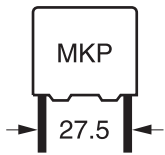
Lead spacing 27.5 mm (2 pins)
900 V DC



ESR versus frequency f (typical values)

Lead spacing 27.5 mm (2 pins)
900 V DC





B32774X

MKP DC link

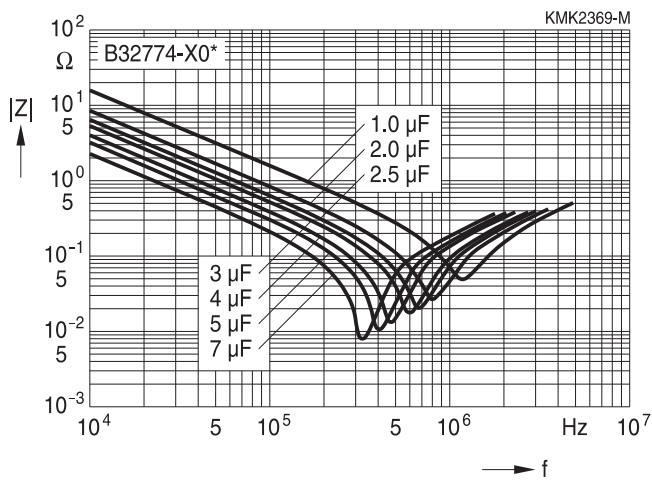
Characteristics curves

Additional technical information can be found under "Design support" on www.epcos.com.

Impedance Z versus frequency f
(typical values)

Lead spacing 27.5 mm (2 pins)

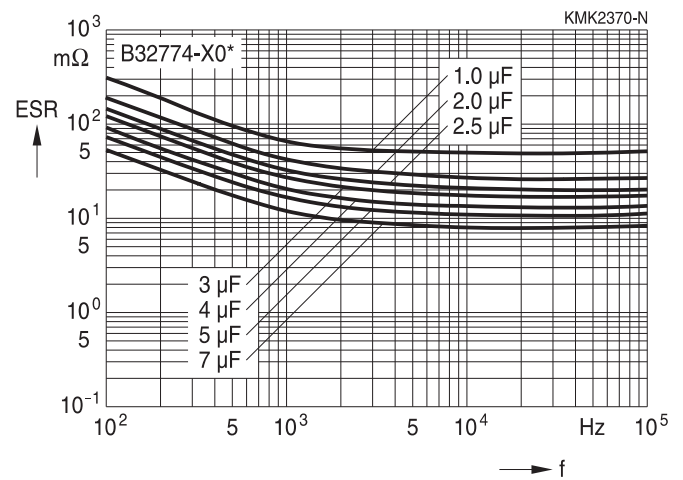
1000 V DC



ESR versus frequency f
(typical values)

Lead spacing 27.5 mm (2 pins)

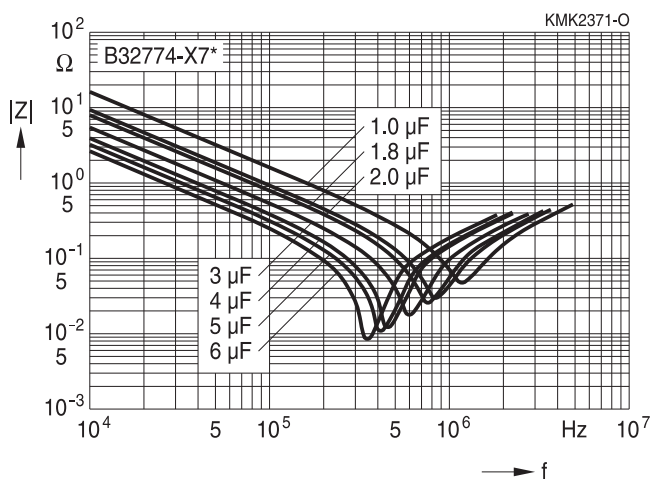
1000 V DC



Impedance Z versus frequency f
(typical values)

Lead spacing 27.5 mm (2 pins)

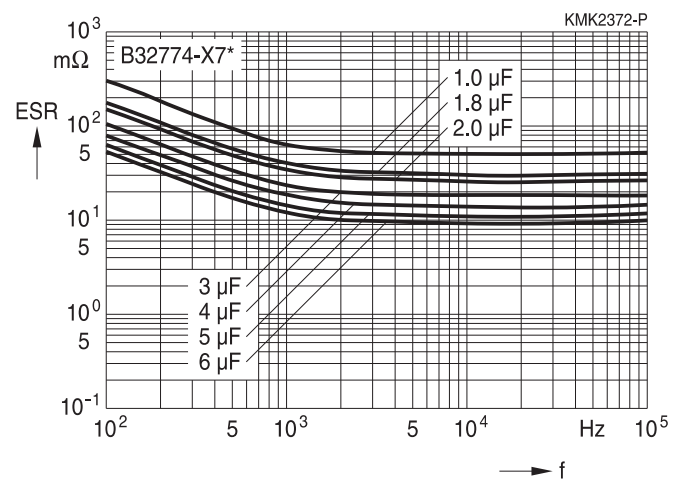
1100 V DC



ESR versus frequency f
(typical values)

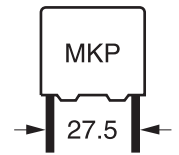
Lead spacing 27.5 mm (2 pins)

1100 V DC



B32774X

MKP DC link



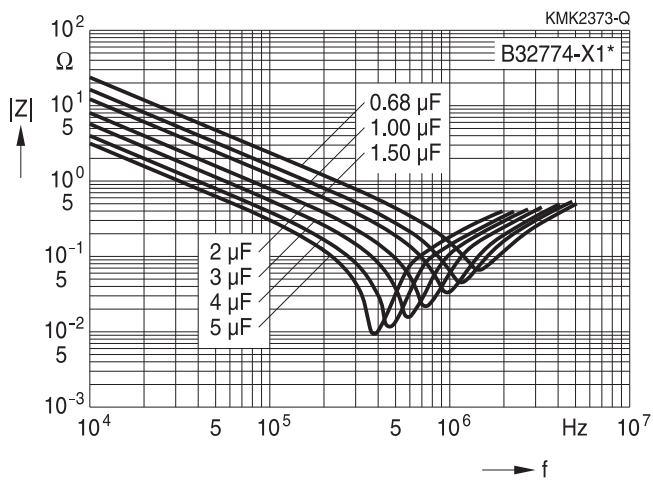
Characteristics curves

Additional technical information can be found under "Design support" on www.epcos.com.

Impedance Z versus frequency f
(typical values)

Lead spacing 27.5 mm (2 pins)

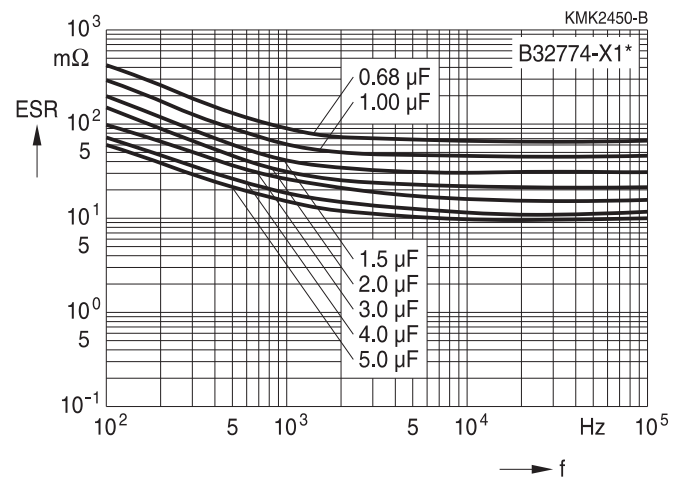
1200 V DC

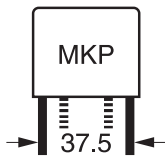


ESR versus frequency f
(typical values)

Lead spacing 27.5 mm (2 pins)

1200 V DC





B32776Y/Z

MKP DC link

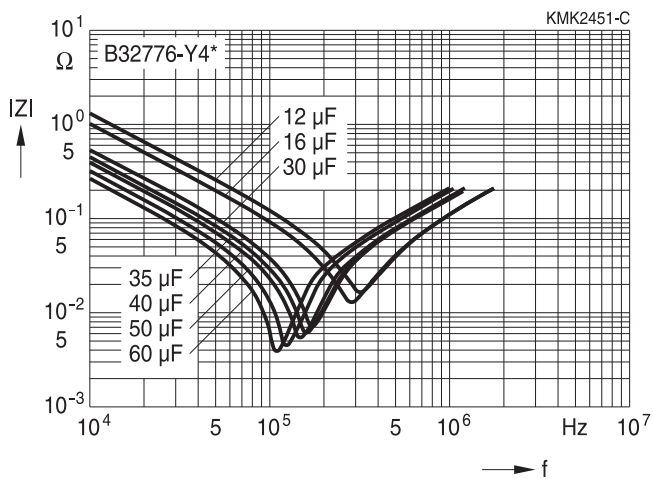
Characteristics curves

Additional technical information can be found under "Design support" on www.epcos.com.

Impedance Z versus frequency f
(typical values)

Lead spacing 37.5 mm (2 pins)

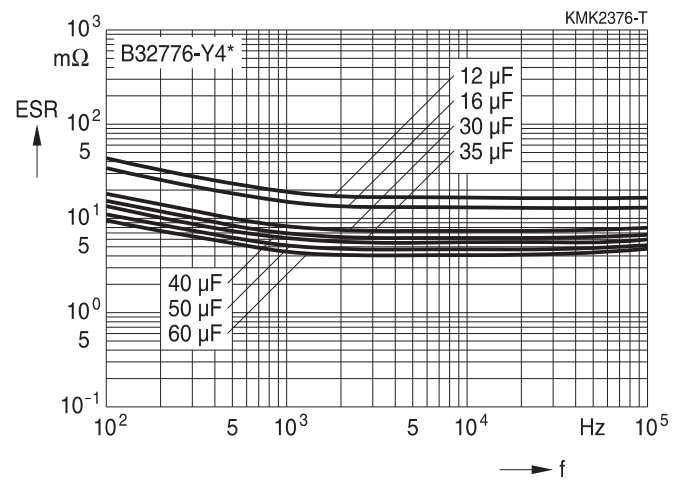
500 V DC



ESR versus frequency f
(typical values)

Lead spacing 37.5 mm (2 pins)

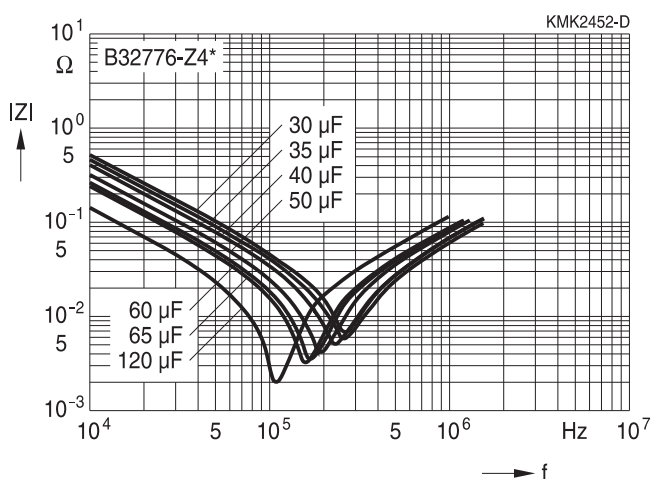
500 V DC



Impedance Z versus frequency f
(typical values)

Lead spacing 37.5 mm (4 pins)

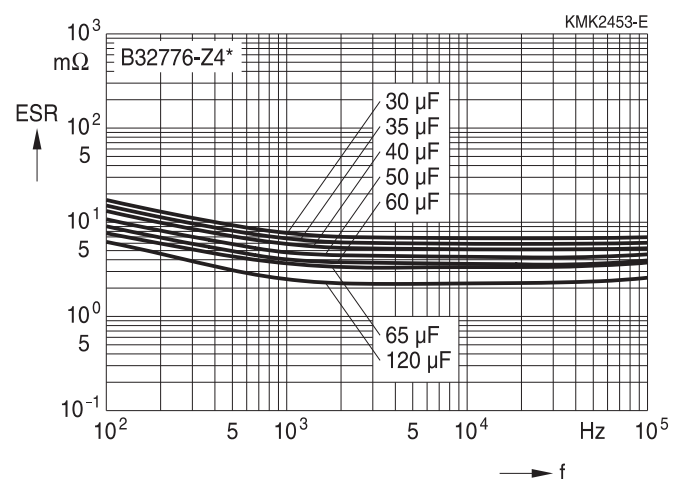
500 V DC



ESR versus frequency f
(typical values)

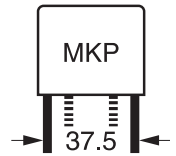
Lead spacing 37.5 mm (4 pins)

500 V DC



B32776Y/Z

MKP DC link



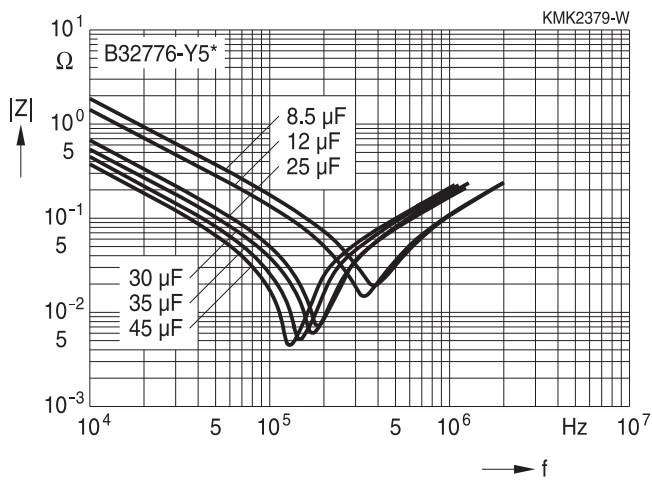
Characteristics curves

Additional technical information can be found under "Design support" on www.epcos.com.

Impedance Z versus frequency f (typical values)

Lead spacing 37.5 mm (2 pins)

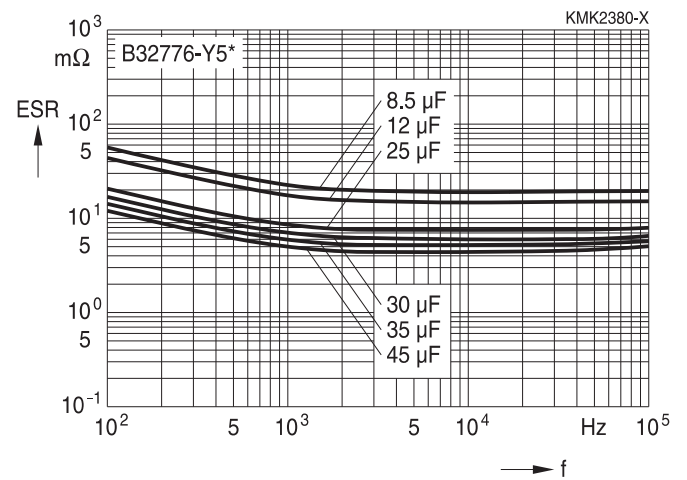
600 V DC



ESR versus frequency f (typical values)

Lead spacing 37.5 mm (2 pins)

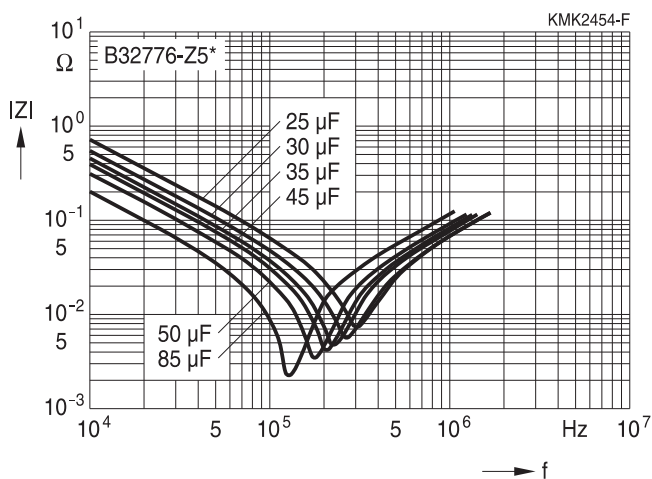
600 V DC



Impedance Z versus frequency f (typical values)

Lead spacing 37.5 mm (4 pins)

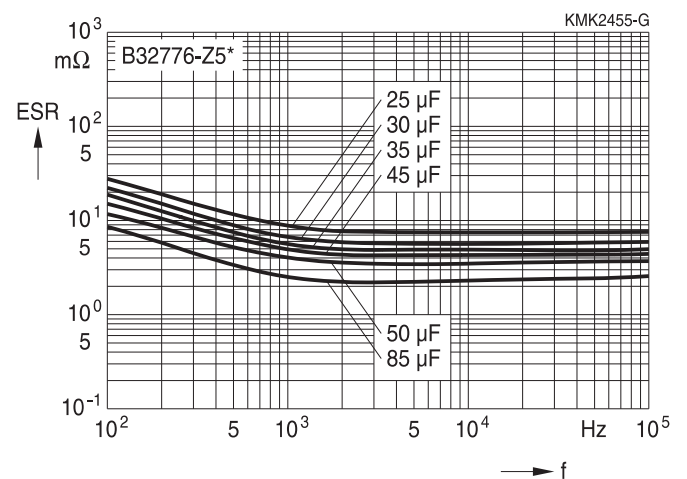
600 V DC

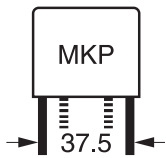


ESR versus frequency f (typical values)

Lead spacing 37.5 mm (4 pins)

600 V DC





B32776Y/Z

MKP DC link

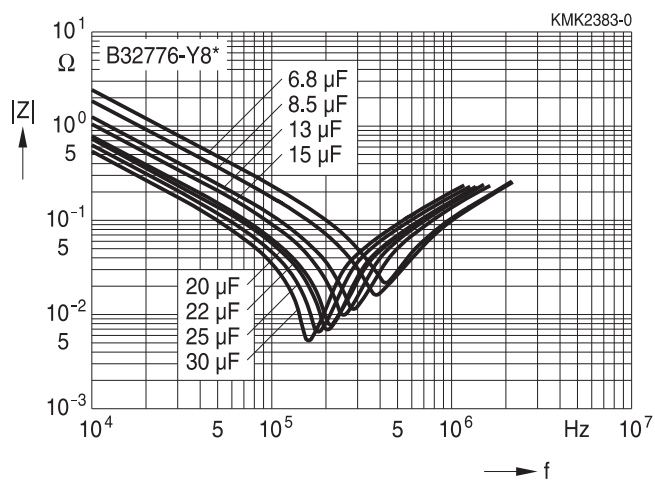
Characteristics curves

Additional technical information can be found under "Design support" on www.epcos.com.

Impedance Z versus frequency f (typical values)

Lead spacing 37.5 mm (2 pins)

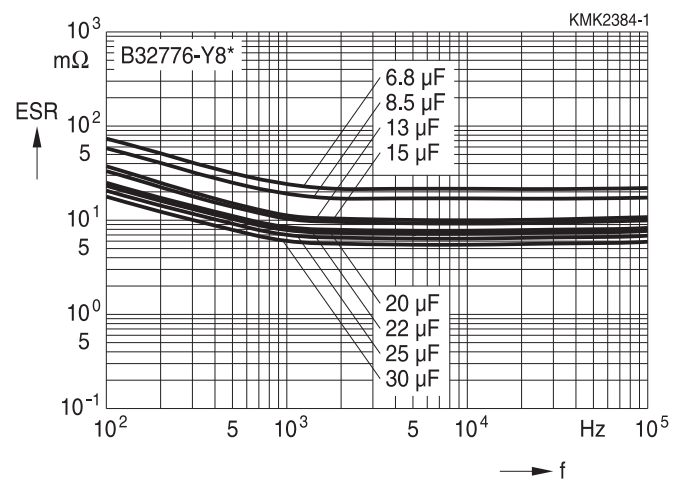
800 V DC



ESR versus frequency f (typical values)

Lead spacing 37.5 mm (2 pins)

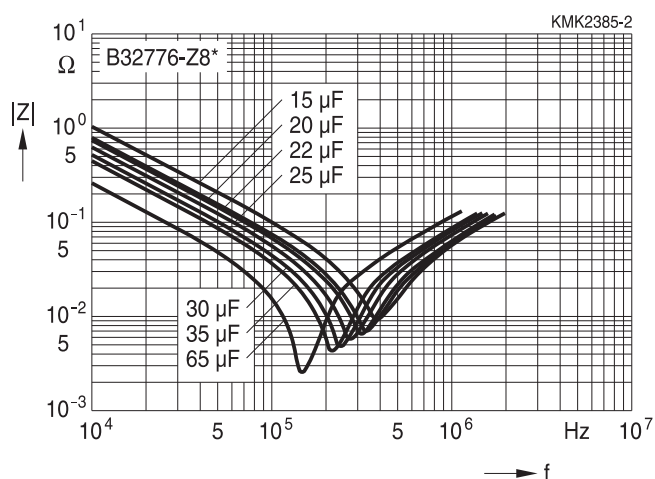
800 V DC



Impedance Z versus frequency f (typical values)

Lead spacing 37.5 mm (4 pins)

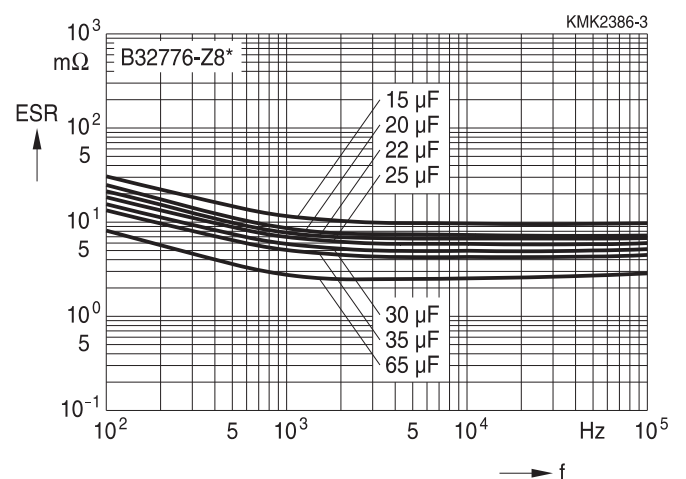
800 V DC



ESR versus frequency f (typical values)

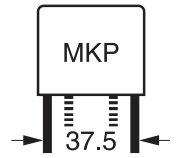
Lead spacing 37.5 mm (4 pins)

800 V DC



B32776Y/Z

MKP DC link



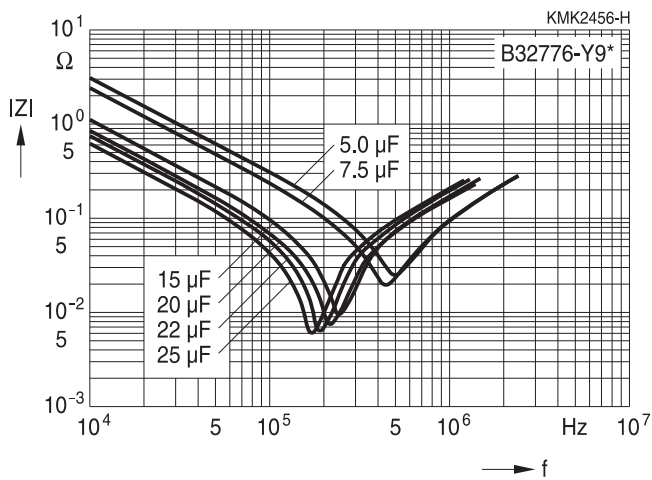
Characteristics curves

Additional technical information can be found under "Design support" on www.epcos.com.

Impedance Z versus frequency f (typical values)

Lead spacing 37.5 mm (2 pins)

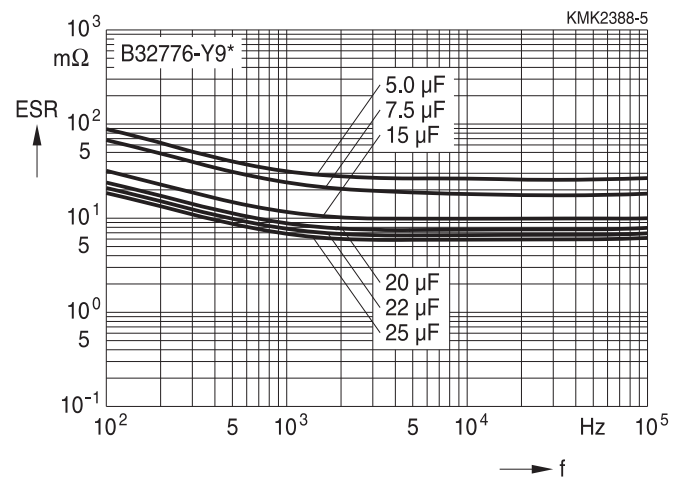
900 V DC



ESR versus frequency f (typical values)

Lead spacing 37.5 mm (2 pins)

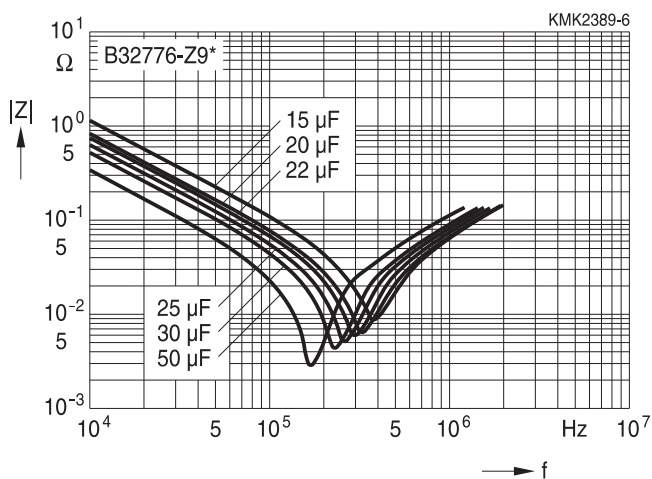
900 V DC



Impedance Z versus frequency f (typical values)

Lead spacing 37.5 mm (4 pins)

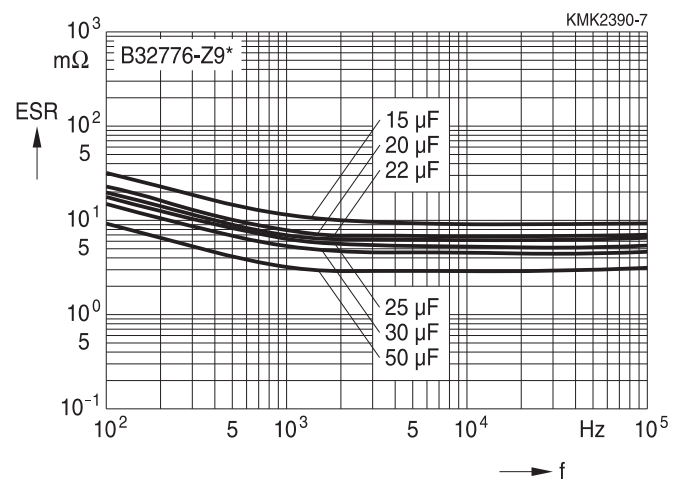
900 V DC

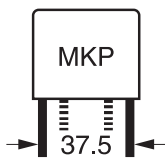


ESR versus frequency f (typical values)

Lead spacing 37.5 mm (4 pins)

900 V DC





B32776Y/Z

MKP DC link

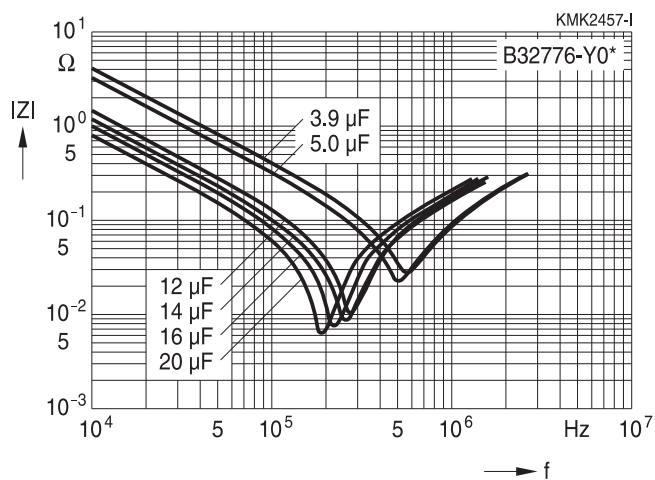
Characteristics curves

Additional technical information can be found under "Design support" on www.epcos.com.

Impedance Z versus frequency f (typical values)

Lead spacing 37.5 mm (2 pins)

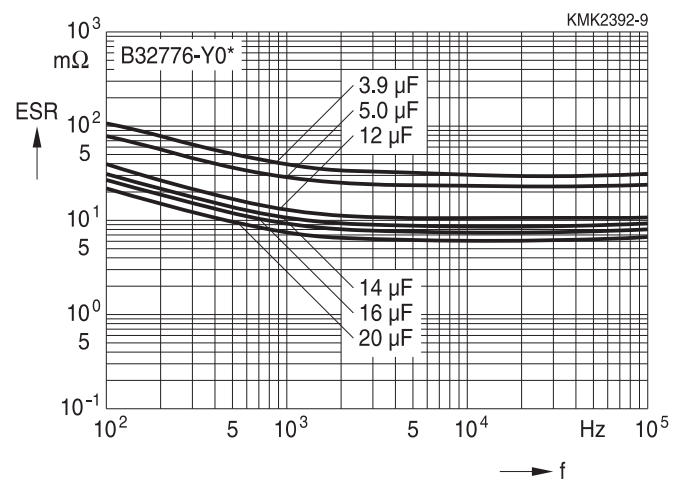
1000 V DC



ESR versus frequency f (typical values)

Lead spacing 37.5 mm (2 pins)

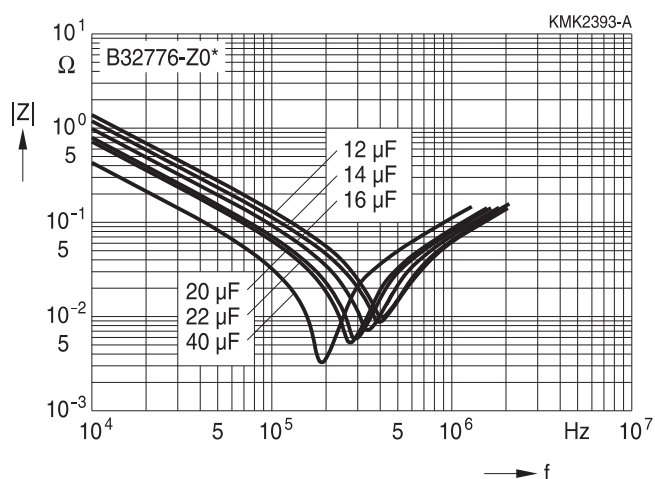
1000 V DC



Impedance Z versus frequency f (typical values)

Lead spacing 37.5 mm (4 pins)

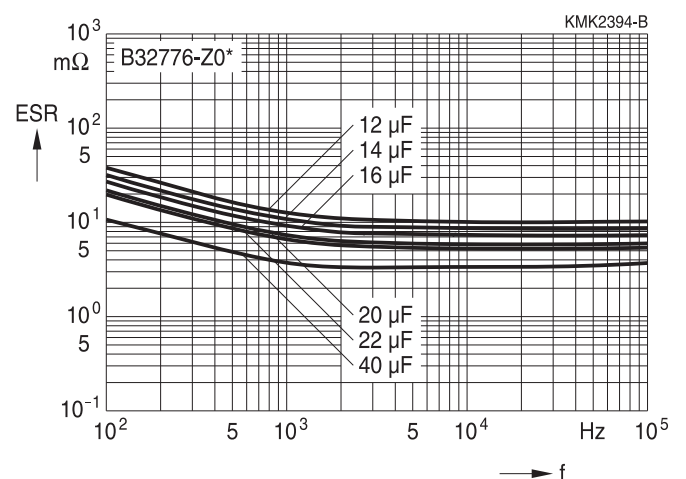
1000 V DC



ESR versus frequency f (typical values)

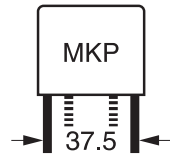
Lead spacing 37.5 mm (4 pins)

1000 V DC



B32776Y/Z

MKP DC link



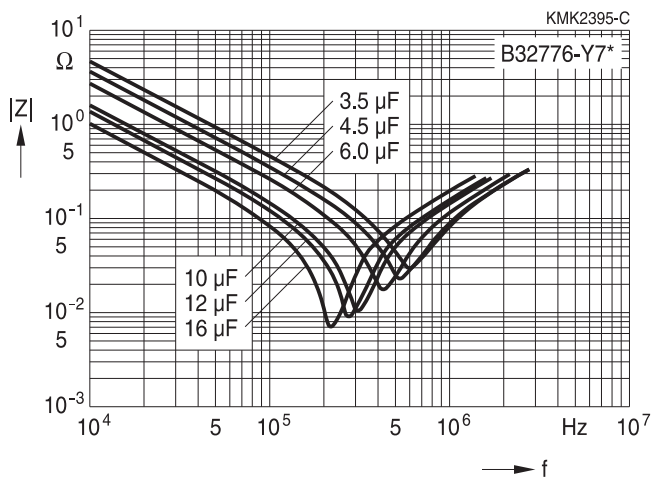
Characteristics curves

Additional technical information can be found under "Design support" on www.epcos.com.

Impedance Z versus frequency f (typical values)

Lead spacing 37.5 mm (2 pins)

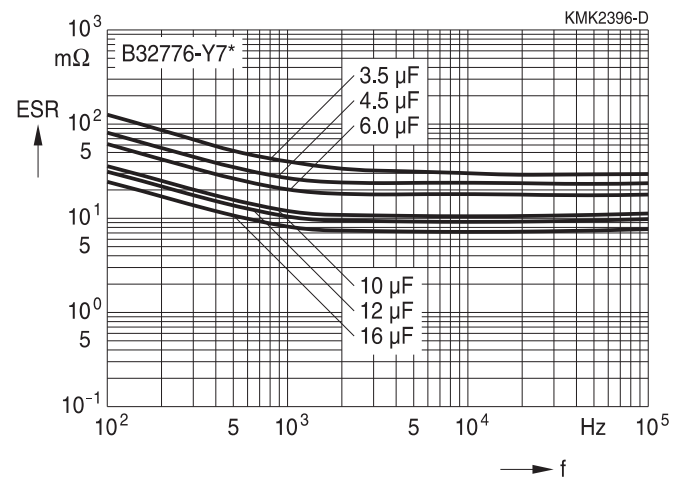
1100 V DC



ESR versus frequency f (typical values)

Lead spacing 37.5 mm (2 pins)

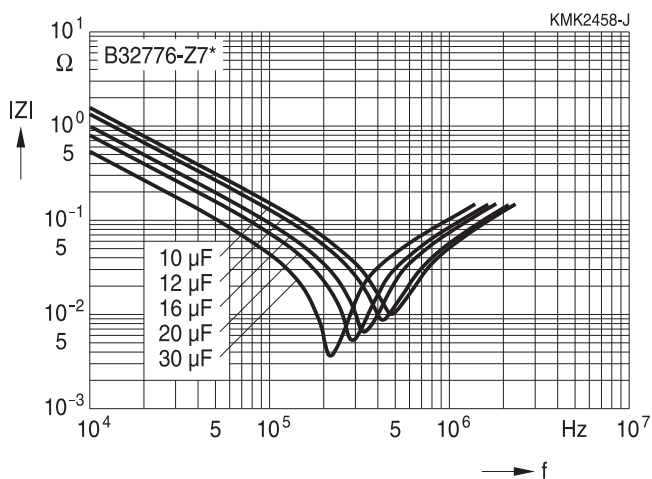
1100 V DC



Impedance Z versus frequency f (typical values)

Lead spacing 37.5 mm (4 pins)

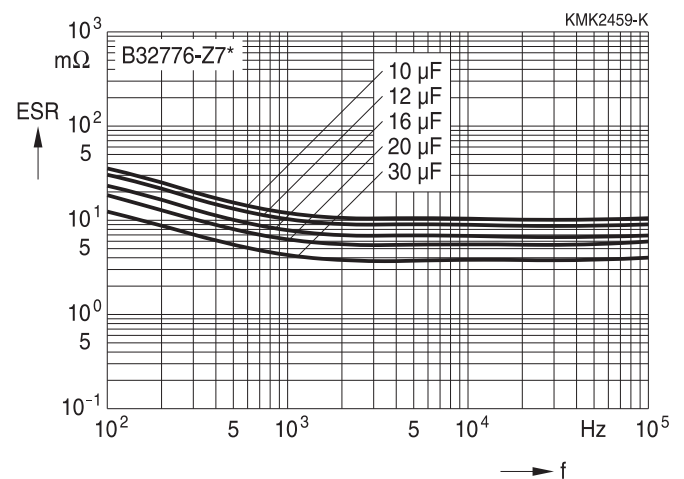
1100 V DC

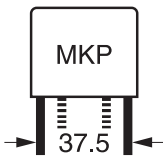


ESR versus frequency f (typical values)

Lead spacing 37.5 mm (4 pins)

1100 V DC





B32776Y/Z

MKP DC link

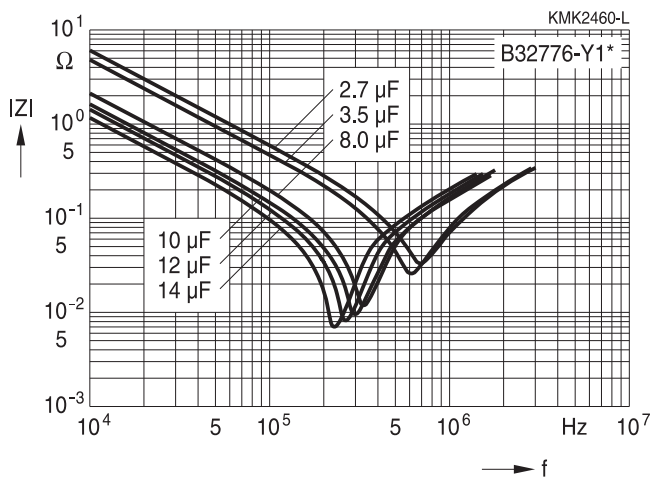
Characteristics curves

Additional technical information can be found under "Design support" on www.epcos.com.

Impedance Z versus frequency f
(typical values)

Lead spacing 37.5 mm (2 pins)

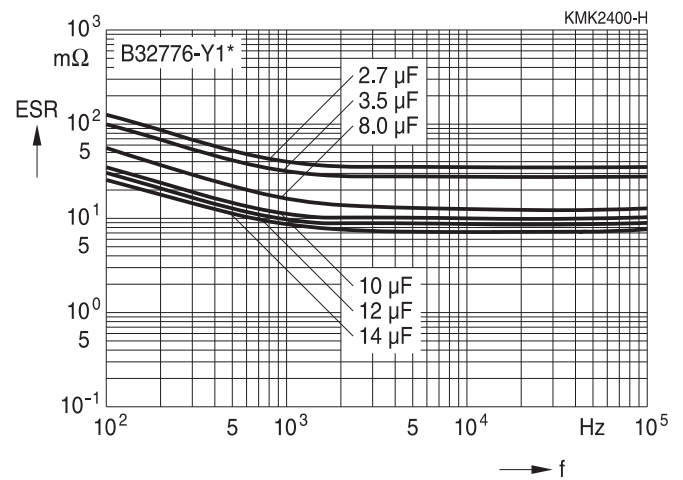
1200 V DC



ESR versus frequency f
(typical values)

Lead spacing 37.5 mm (2 pins)

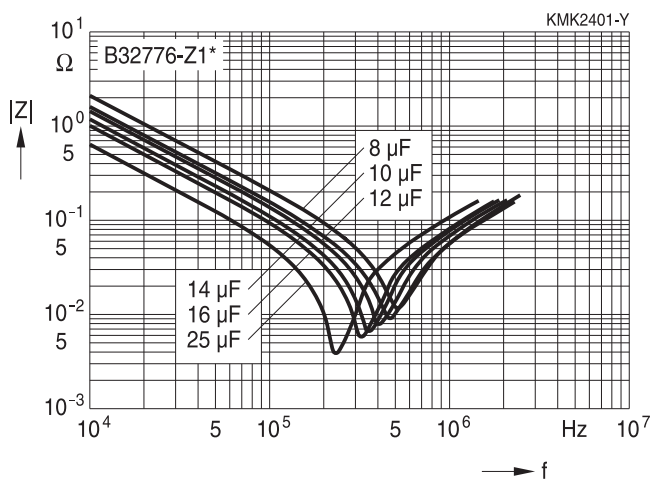
1200 V DC



Impedance Z versus frequency f
(typical values)

Lead spacing 37.5 mm (4 pins)

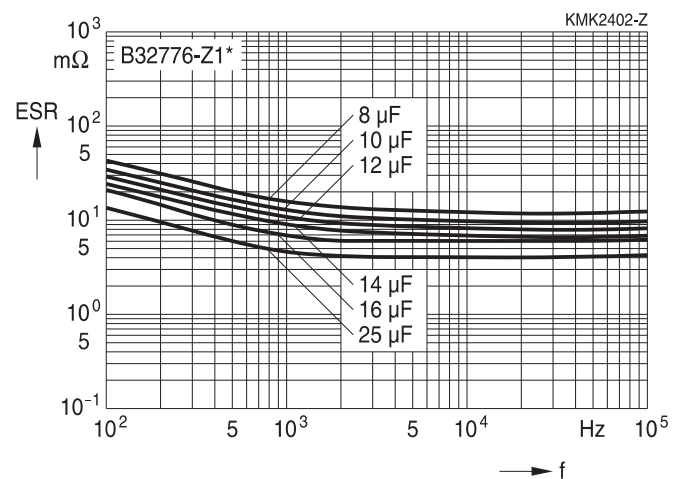
1200 V DC



ESR versus frequency f
(typical values)

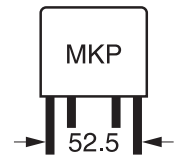
Lead spacing 37.5 mm (4 pins)

1200 V DC



B32778Z

MKP DC link



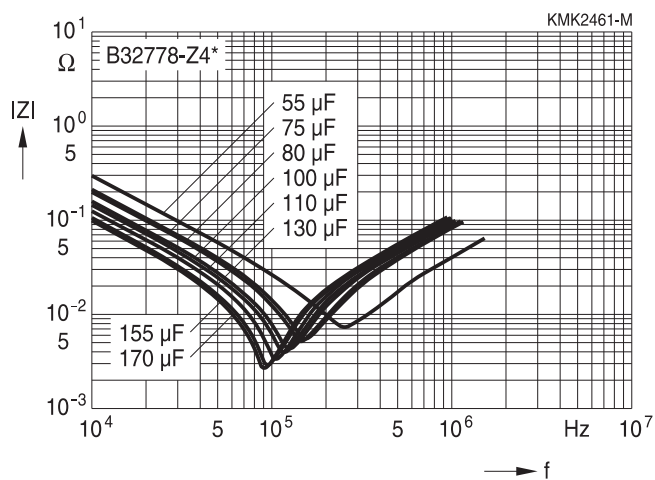
Characteristics curves

Additional technical information can be found under "Design support" on www.epcos.com.

Impedance Z versus frequency f
(typical values)

Lead spacing 52.5 mm (4 pins)

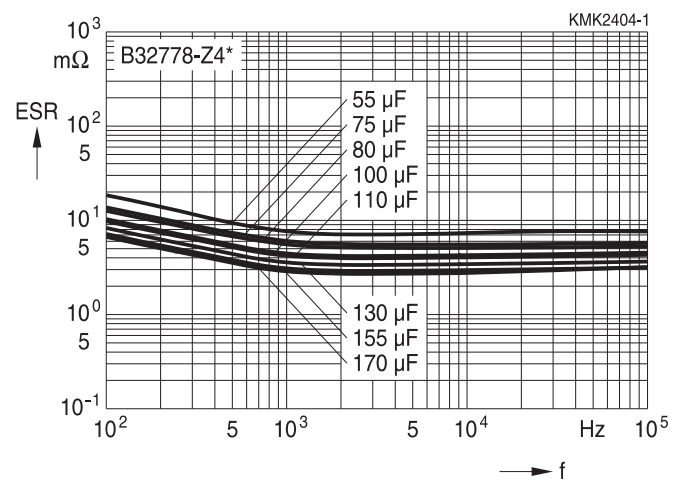
500 V DC



ESR versus frequency f
(typical values)

Lead spacing 52.5 mm (4 pins)

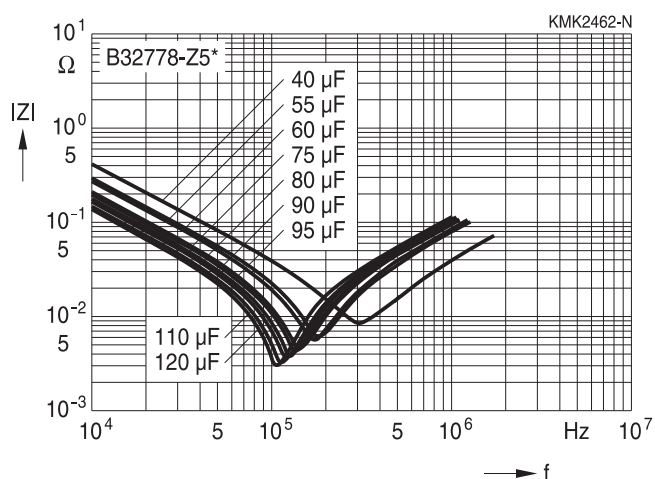
500 V DC



Impedance Z versus frequency f
(typical values)

Lead spacing 52.5 mm (4 pins)

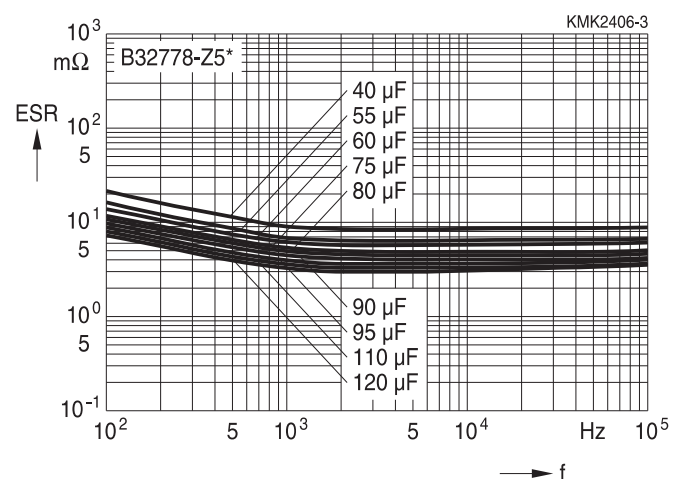
600 V DC

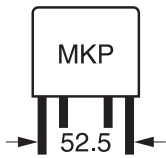


ESR versus frequency f
(typical values)

Lead spacing 52.5 mm (4 pins)

600 V DC





B32778Z

MKP DC link

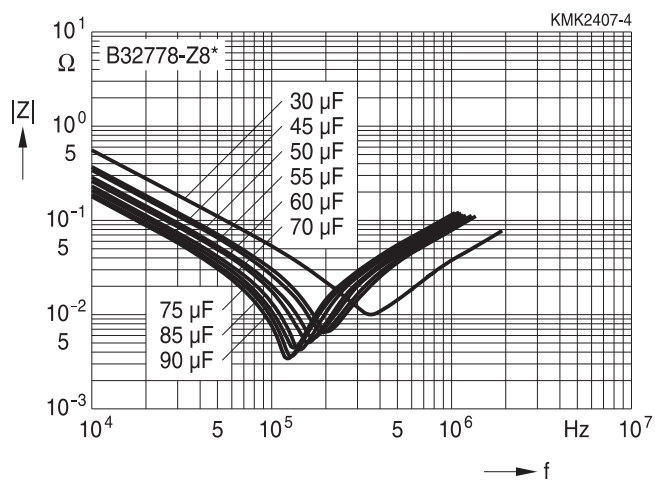
Characteristics curves

Additional technical information can be found under "Design support" on www.epcos.com.

Impedance Z versus frequency f
(typical values)

Lead spacing 52.5 mm (4 pins)

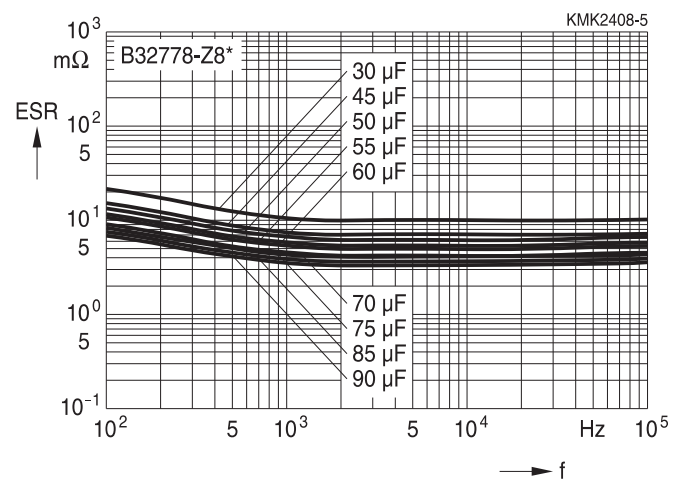
800 V DC



ESR versus frequency f
(typical values)

Lead spacing 52.5 mm (4 pins)

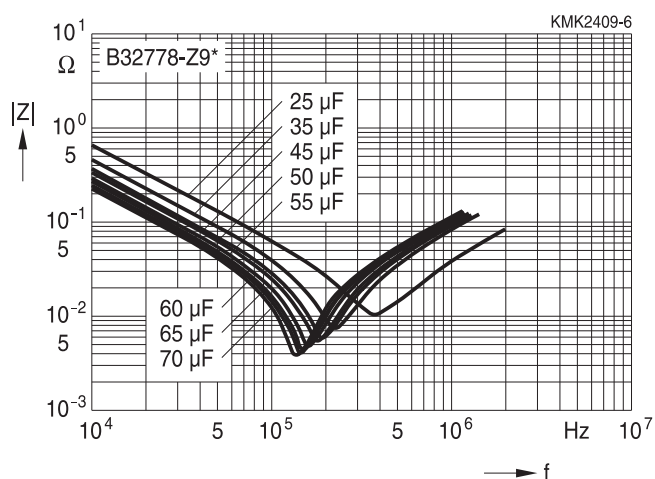
800 V DC



Impedance Z versus frequency f
(typical values)

Lead spacing 52.5 mm (4 pins)

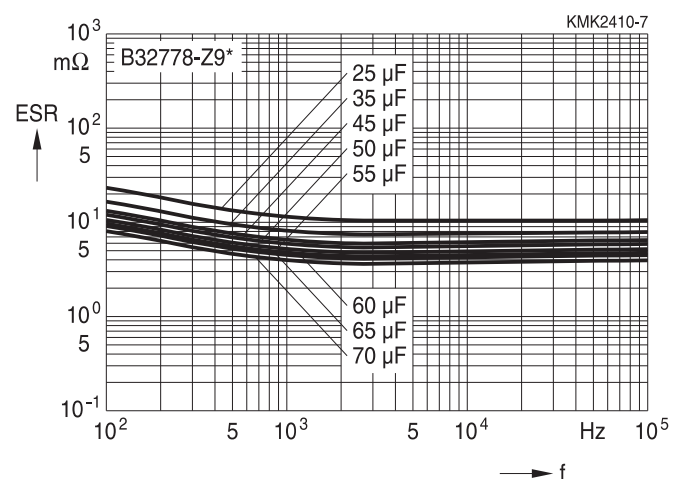
900 V DC



ESR versus frequency f
(typical values)

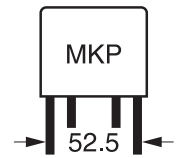
Lead spacing 52.5 mm (4 pins)

900 V DC



B32778Z

MKP DC link



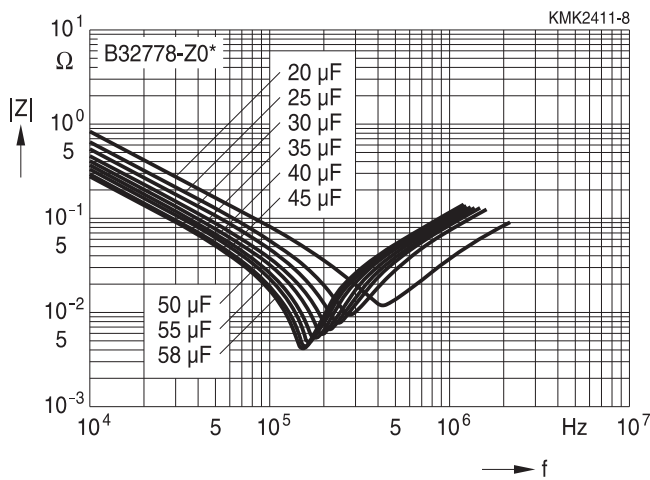
Characteristics curves

Additional technical information can be found under "Design support" on www.epcos.com.

Impedance Z versus frequency f
(typical values)

Lead spacing 52.5 mm (4 pins)

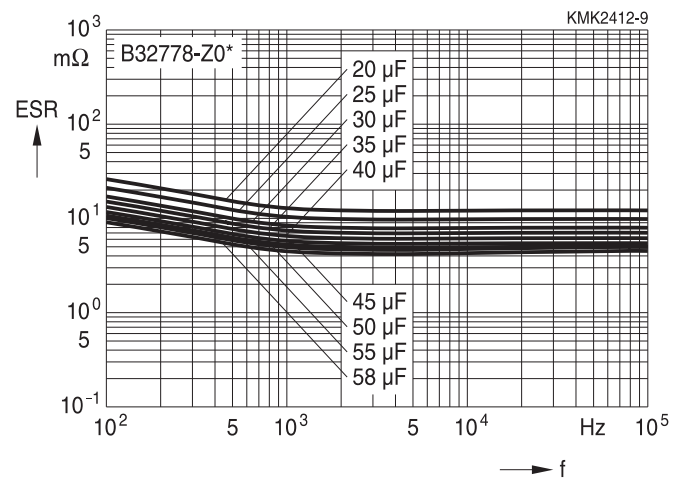
1000 V DC



ESR versus frequency f
(typical values)

Lead spacing 52.5 mm (4 pins)

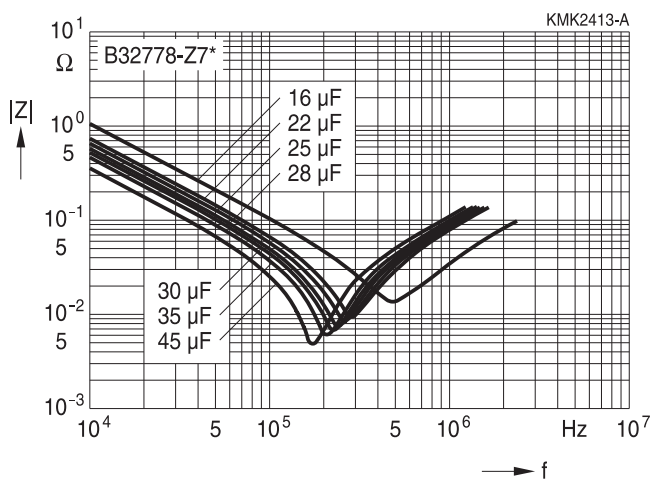
1000 V DC



Impedance Z versus frequency f
(typical values)

Lead spacing 52.5 mm (4 pins)

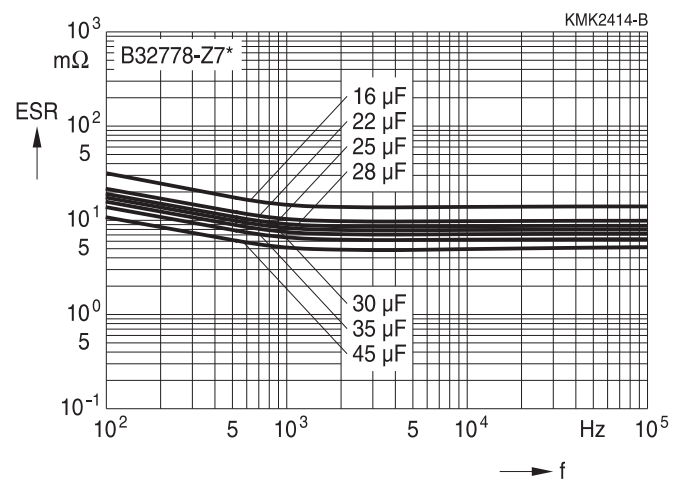
1100 V DC

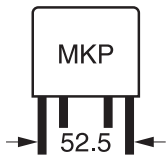


ESR versus frequency f
(typical values)

Lead spacing 52.5 mm (4 pins)

1100 V DC





B32778Z

MKP DC link

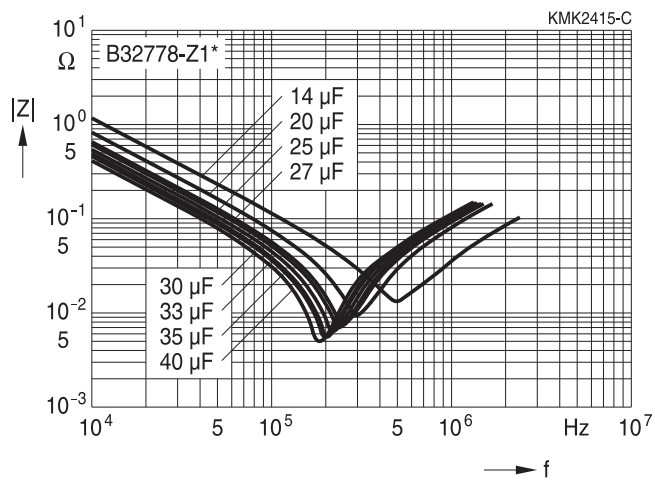
Characteristics curves

Additional technical information can be found under "Design support" on www.epcos.com.

Impedance Z versus frequency f (typical values)

Lead spacing 52.5 mm (4 pins)

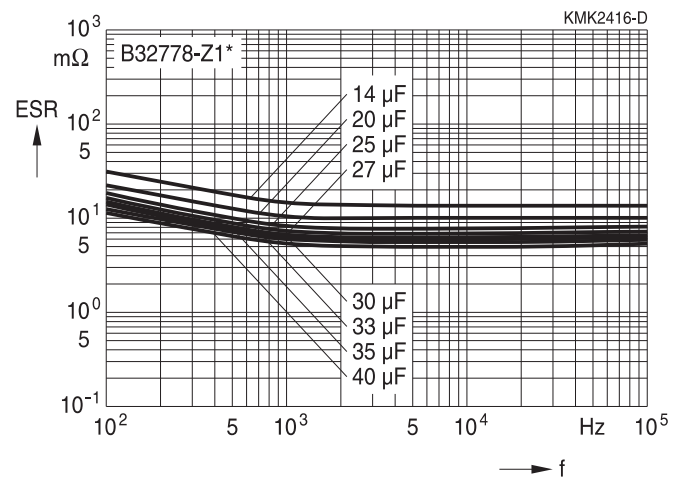
1200 V DC

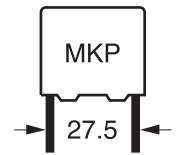


ESR versus frequency f (typical values)

Lead spacing 52.5 mm (4 pins)

1200 V DC





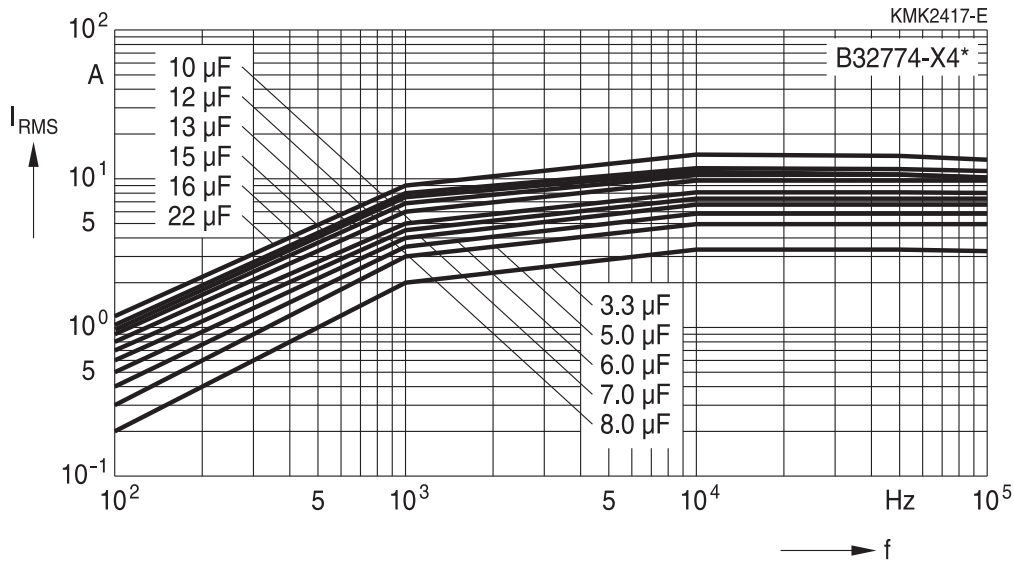
B32774X
MKP DC link

Characteristics curves

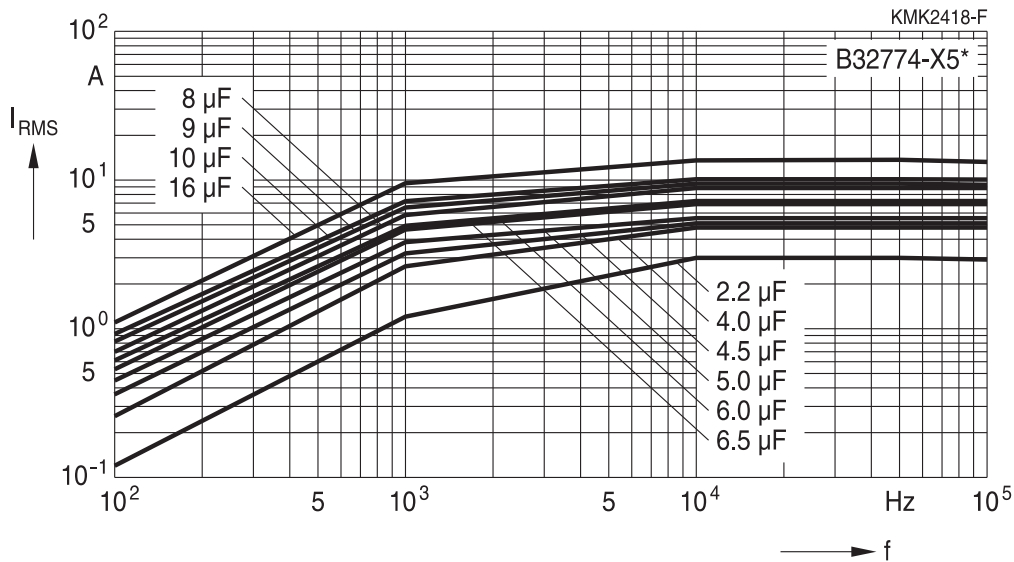
Permissible current I_{RMS} versus frequency f at $\leq 70^\circ\text{C}$

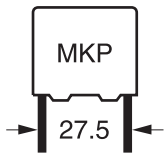
Lead spacing 27.5 mm

500 V DC (2 pins)



600 V DC (2 pins)





B32774X

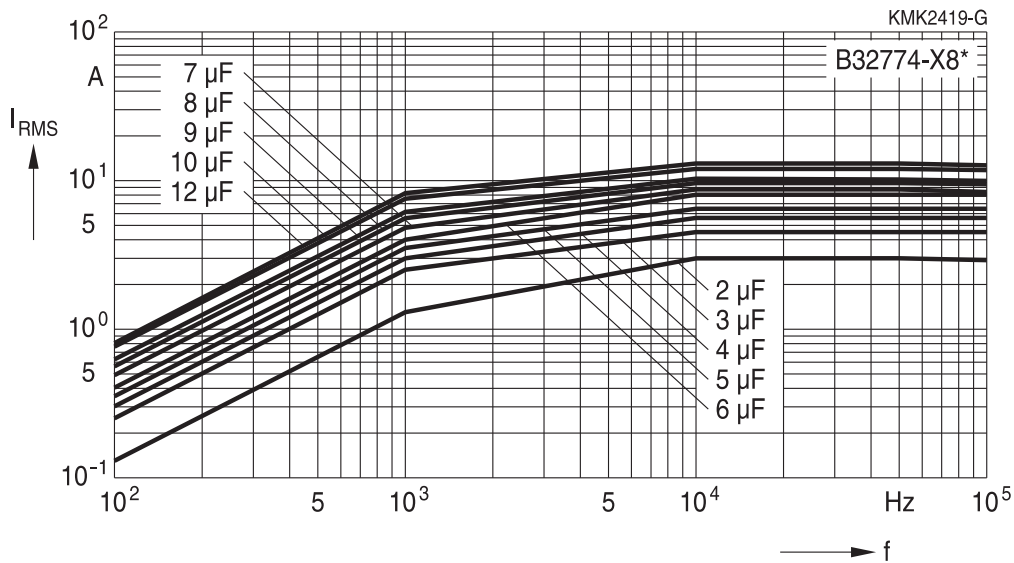
MKP DC link

Characteristics curves

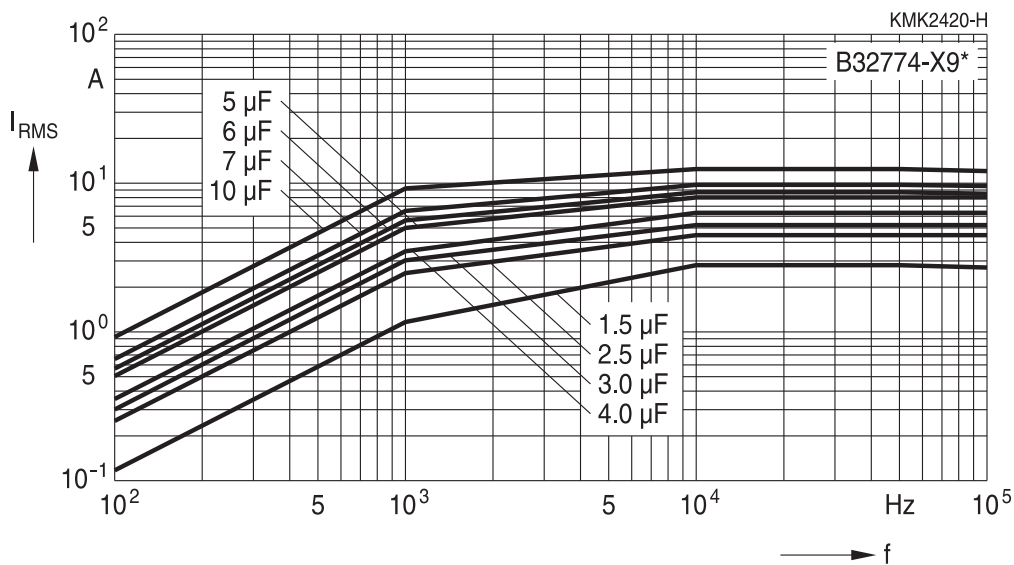
Permissible current I_{RMS} versus frequency f at $\leq 70^\circ\text{C}$

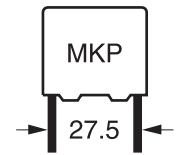
Lead spacing 27.5 mm

800 V DC (2 pins)



900 V DC (2 pins)





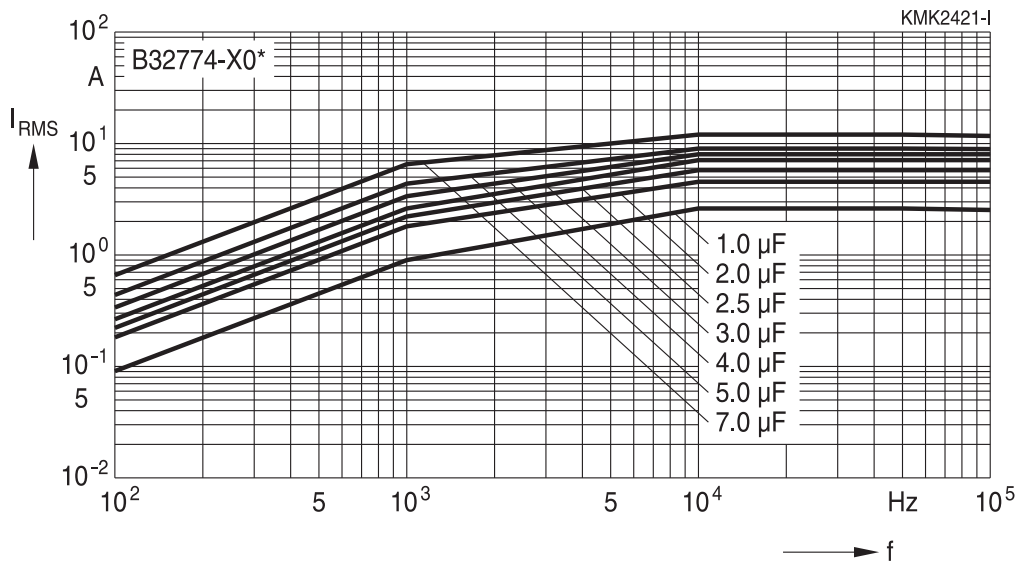
B32774X
MKP DC link

Characteristics curves

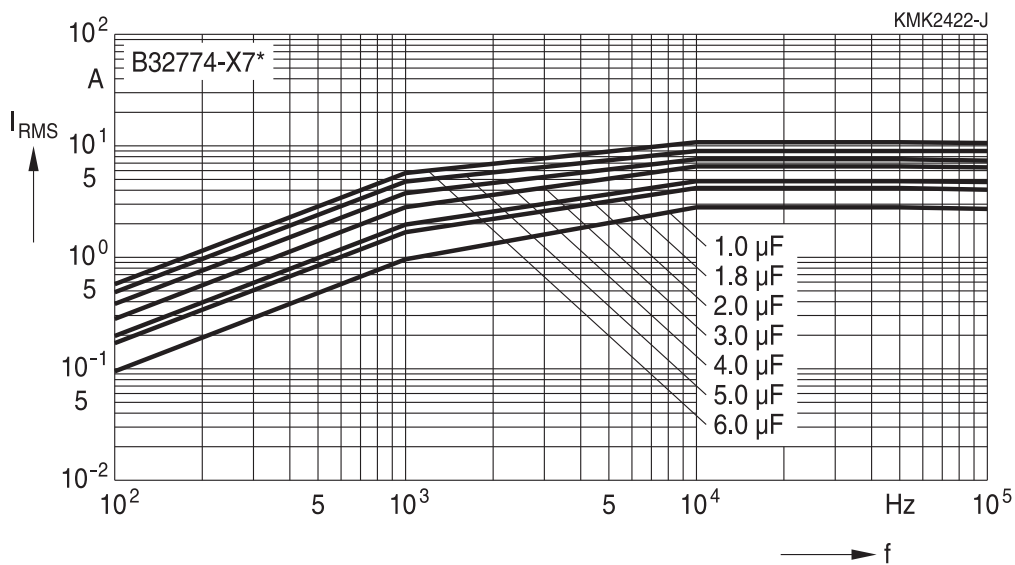
Permissible current I_{RMS} versus frequency f at $\leq 70^\circ\text{C}$

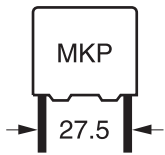
Lead spacing 27.5 mm

1000 V DC (2 pins)



1100 V DC (2 pins)





B32774X

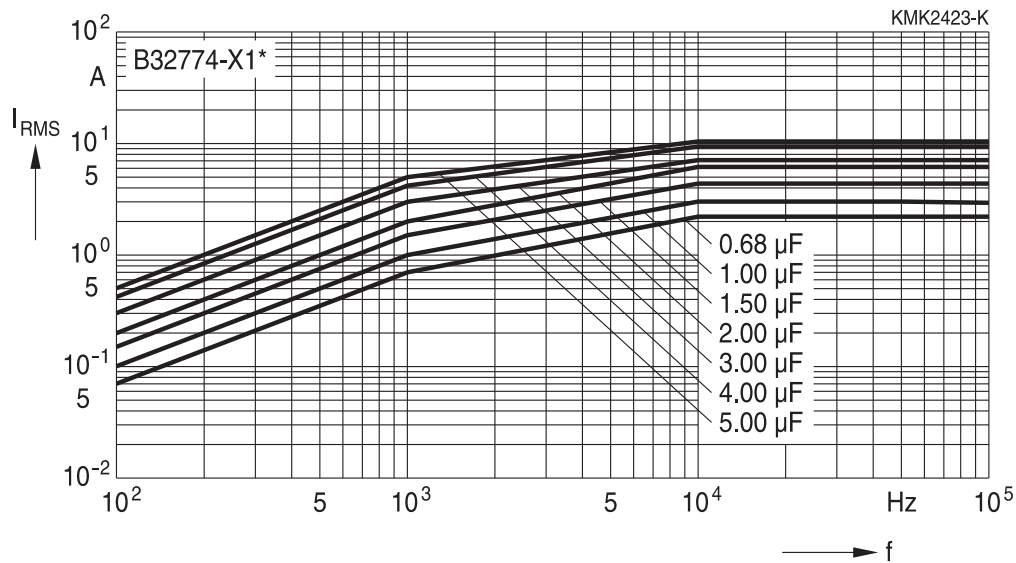
MKP DC link

Characteristics curves

Permissible current I_{RMS} versus frequency f at $\leq 70\text{ }^\circ\text{C}$

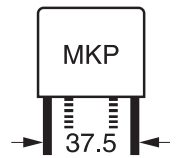
Lead spacing 27.5 mm

1200 V DC (2 pins)



B32776Y/Z

MKP DC link

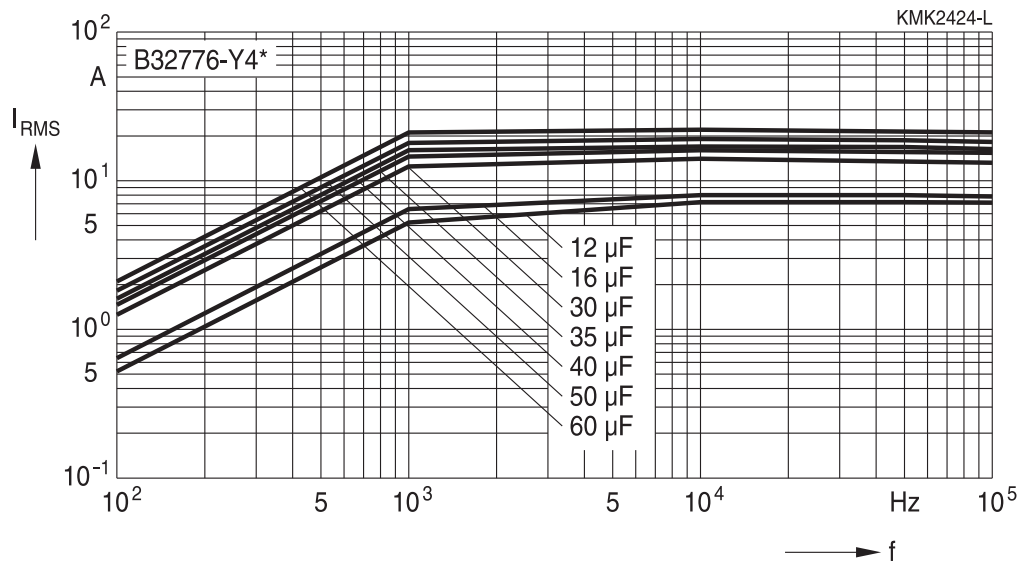


Characteristics curves

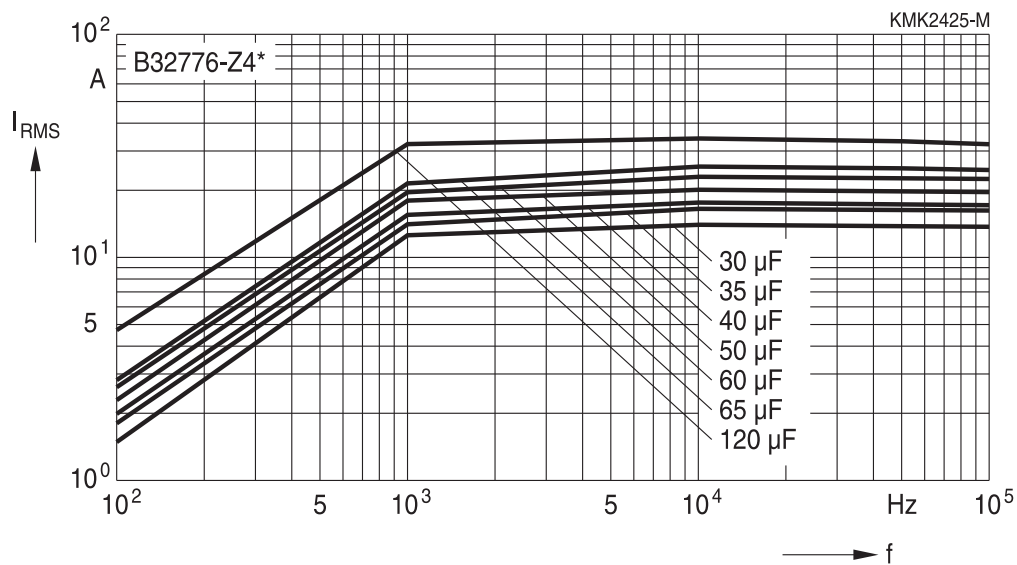
Permissible current I_{RMS} versus frequency f at $\leq 70^\circ\text{C}$)

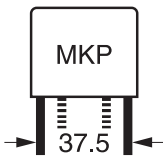
Lead spacing 37.5 mm

500 V DC (2 pins)



500 V DC (4 pins)





B32776Y/Z

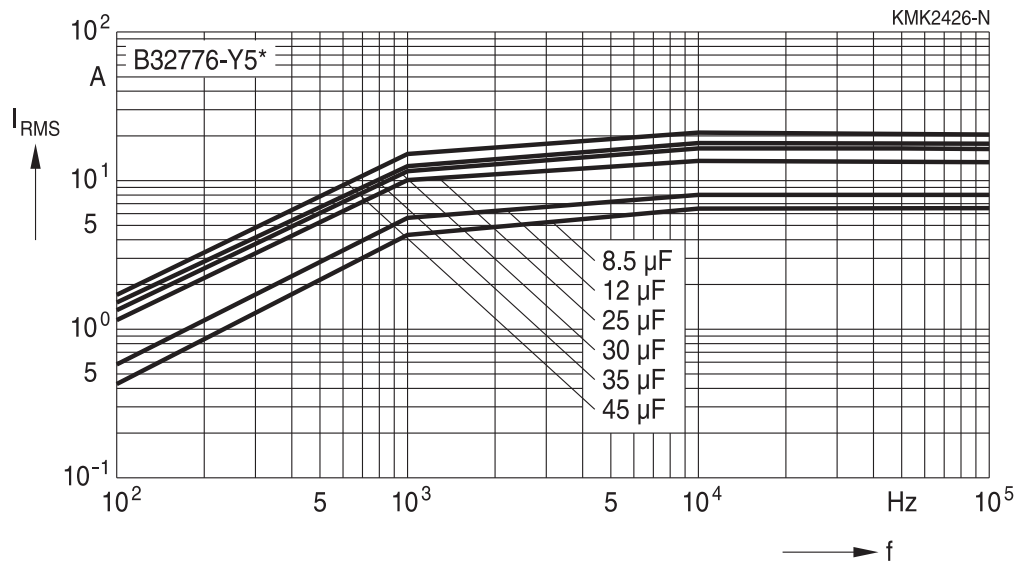
MKP DC link

Characteristics curves

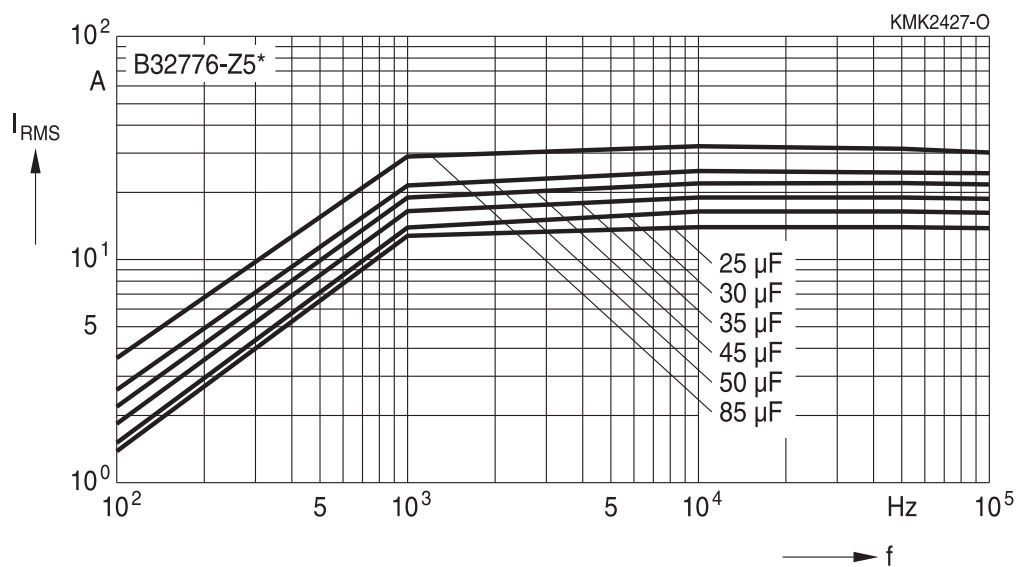
Permissible current I_{RMS} versus frequency f at $\leq 70\text{ }^{\circ}\text{C}$)

Lead spacing 37.5 mm

600 V DC (2 pins)

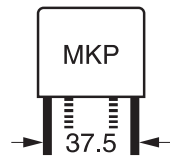


600 V DC (4 pins)



B32776Y/Z

MKP DC link

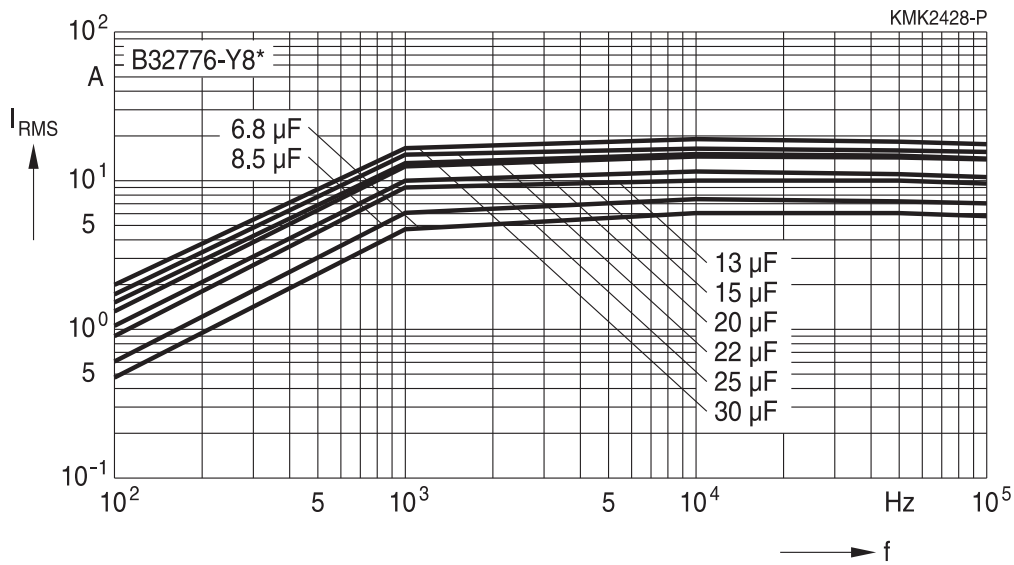


Characteristics curves

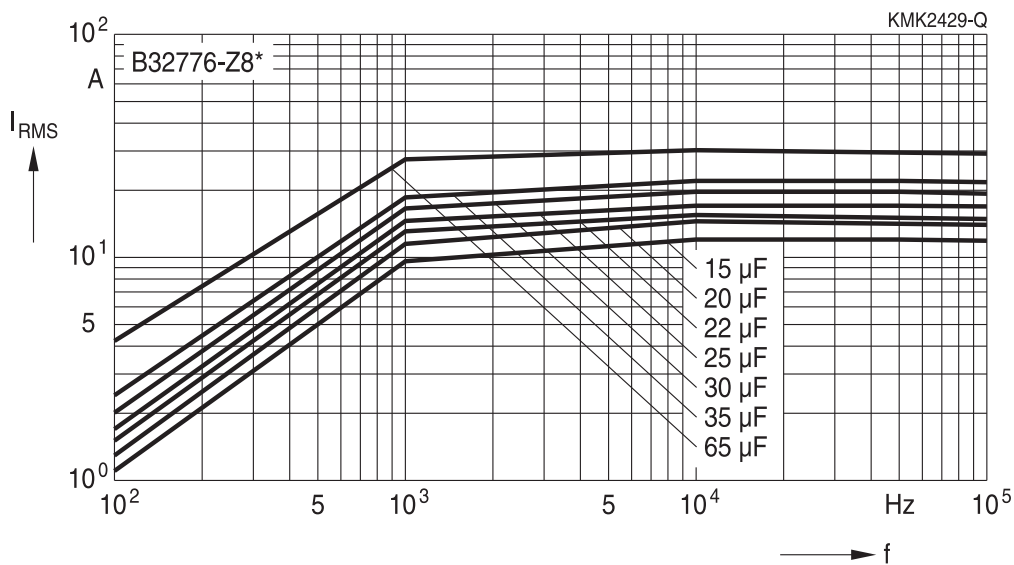
Permissible current I_{RMS} versus frequency f at $\leq 70\text{ }^{\circ}\text{C}$)

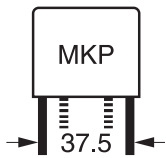
Lead spacing 37.5 mm

800 V DC (2 pins)



800 V DC (4 pins)





B32776Y/Z

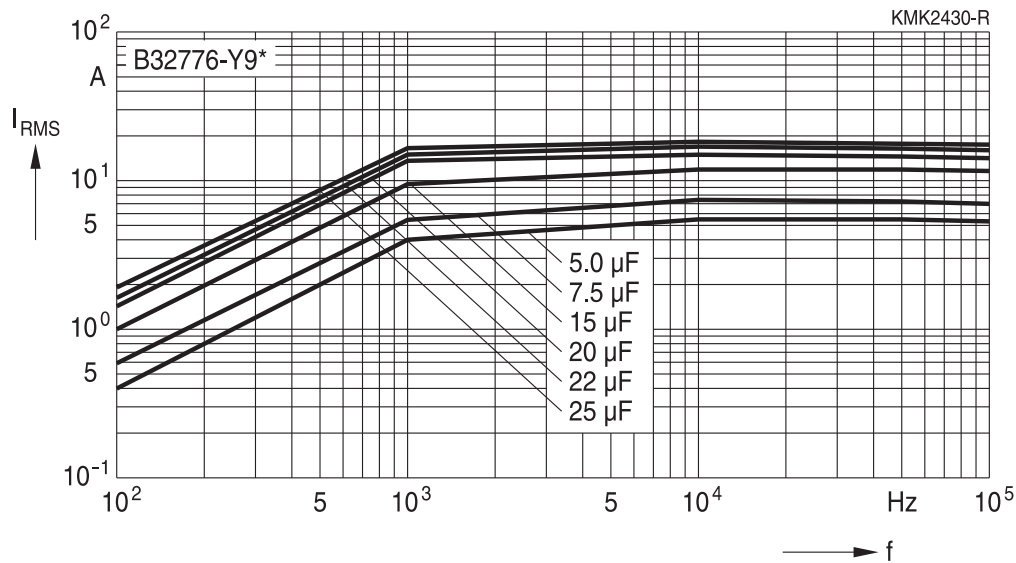
MKP DC link

Characteristics curves

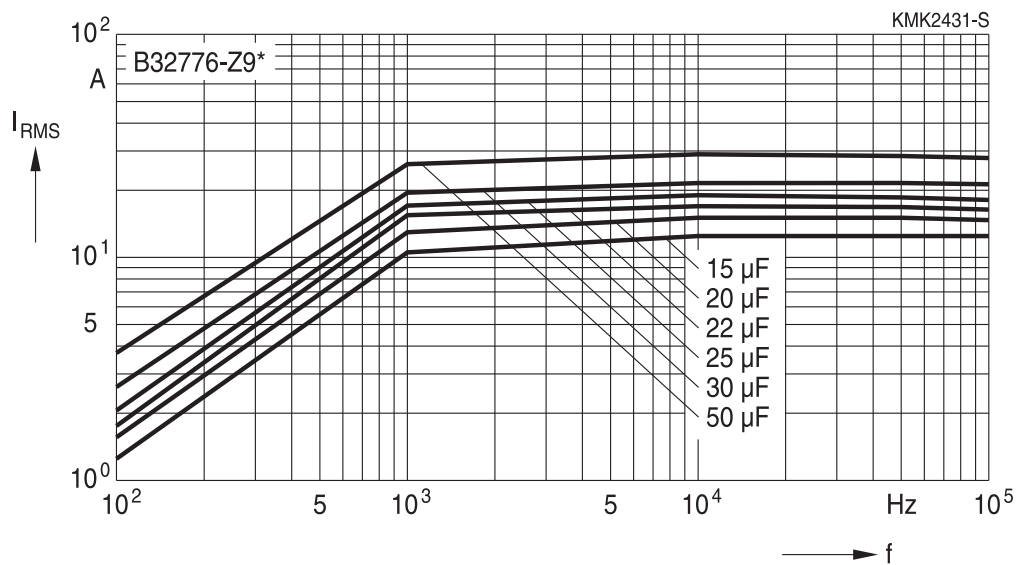
Permissible current I_{RMS} versus frequency f at $\leq 70\text{ }^{\circ}\text{C}$)

Lead spacing 37.5 mm

900 V DC (2 pins)

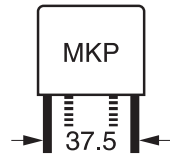


900 V DC (4 pins)



B32776Y/Z

MKP DC link

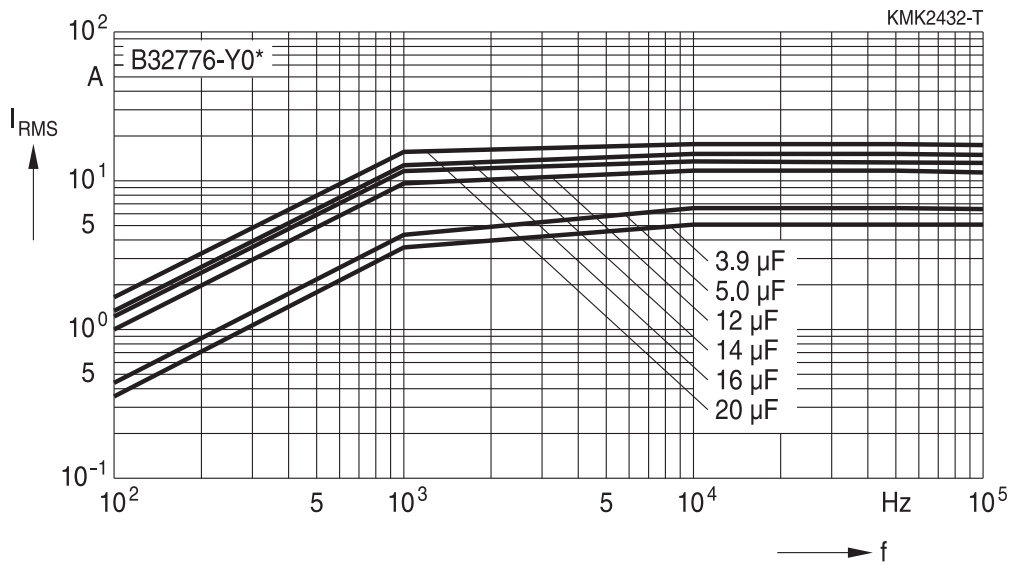


Characteristics curves

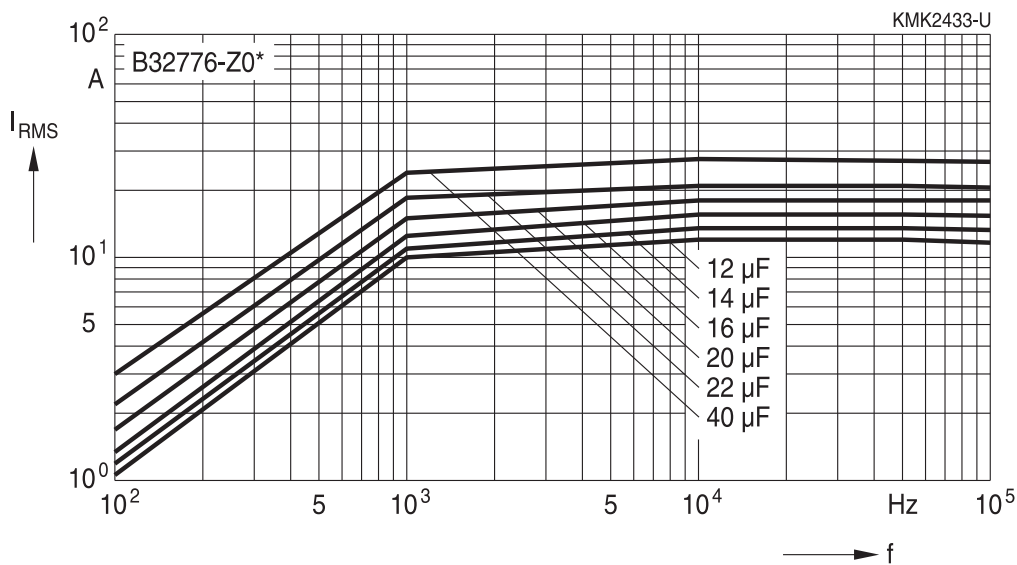
Permissible current I_{RMS} versus frequency f at $\leq 70\text{ }^{\circ}\text{C}$)

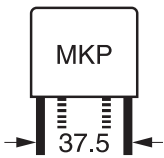
Lead spacing 37.5 mm

1000 V DC (2 pins)



1000 V DC (4 pins)





B32776Y/Z

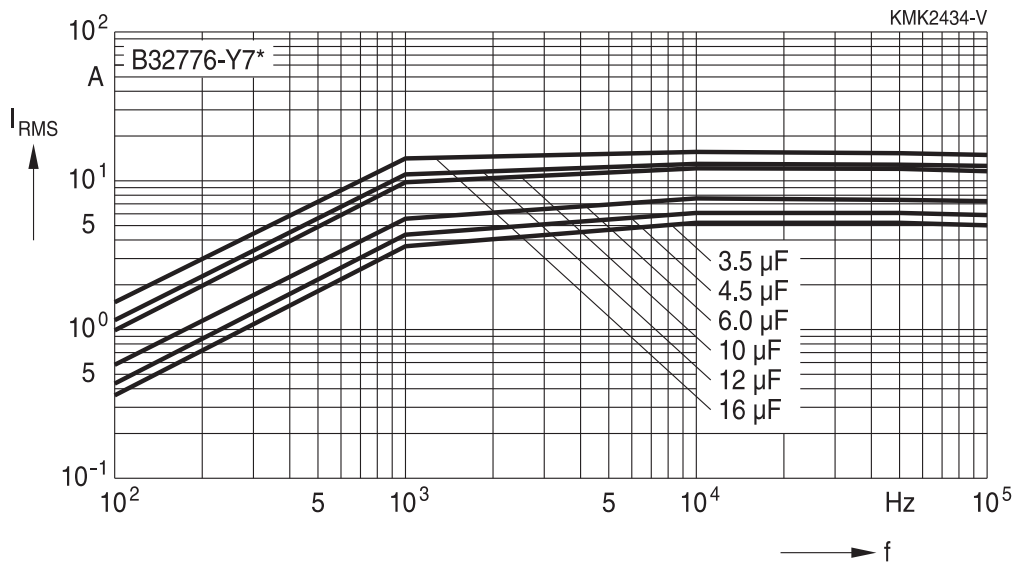
MKP DC link

Characteristics curves

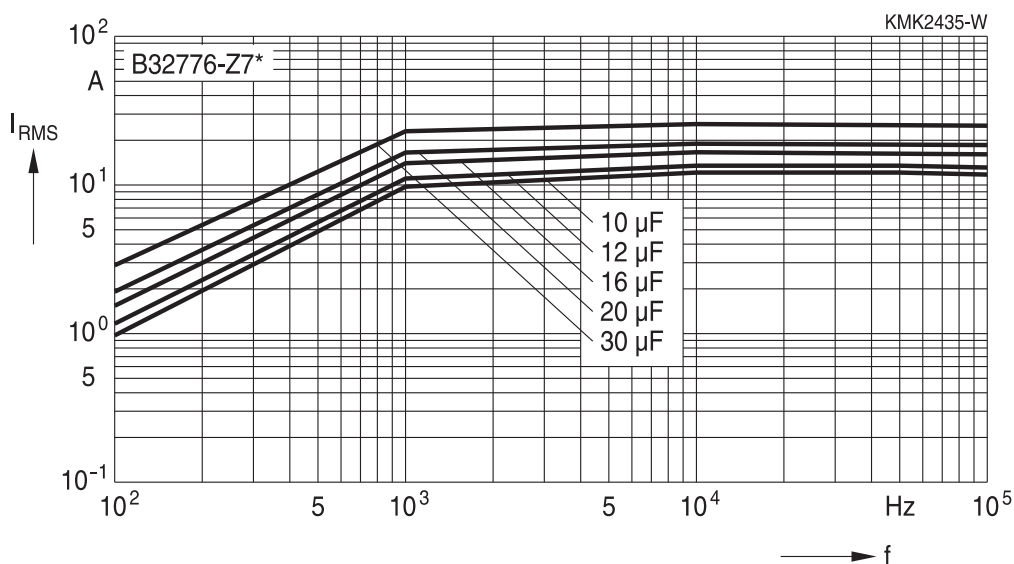
Permissible current I_{RMS} versus frequency f at $\leq 70\text{ }^{\circ}\text{C}$)

Lead spacing 37.5 mm

1100 V DC (2 pins)

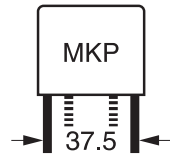


1100 V DC (4 pins)



B32776Y/Z

MKP DC link

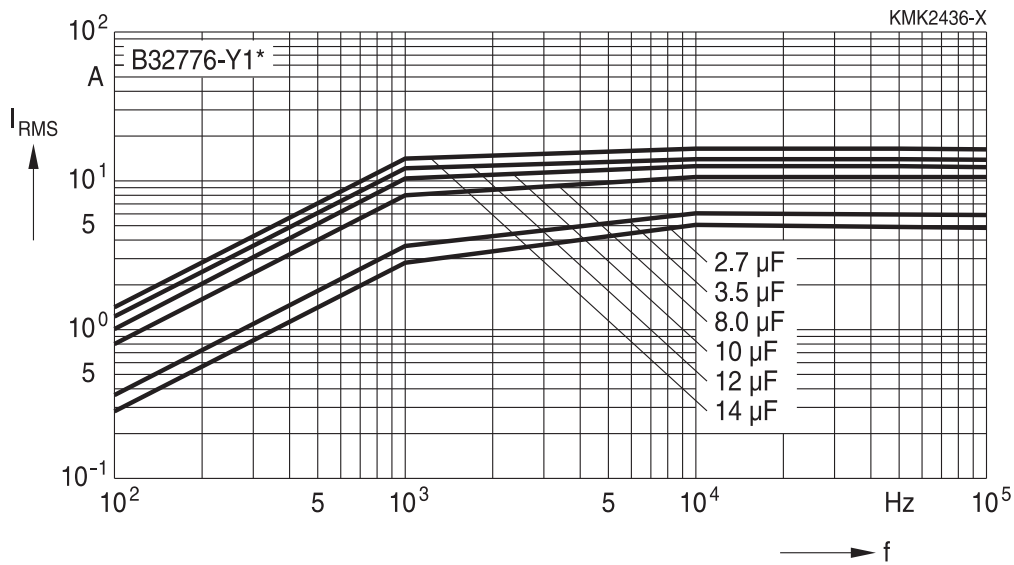


Characteristics curves

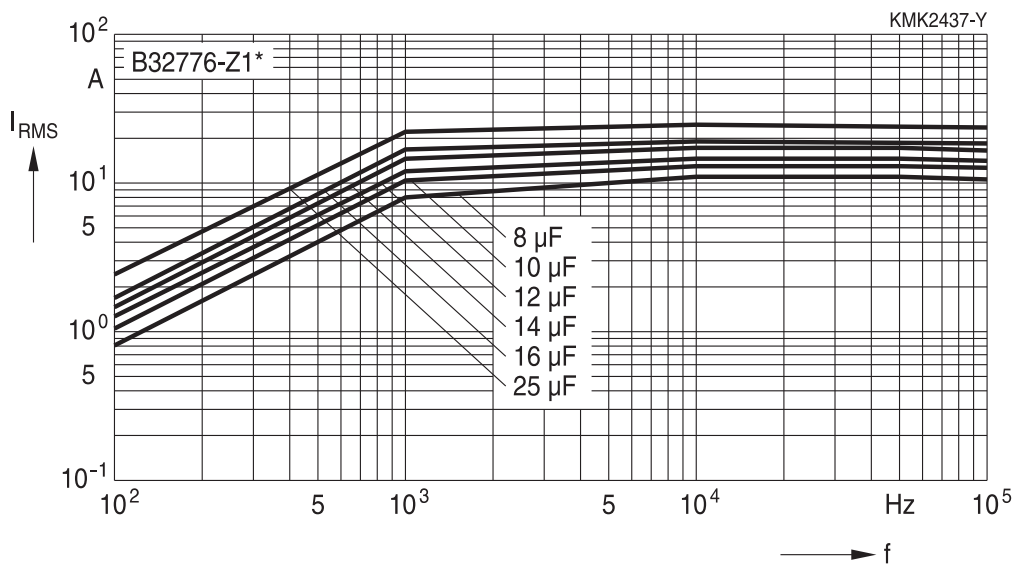
Permissible current I_{RMS} versus frequency f at $\leq 70\text{ }^\circ\text{C}$)

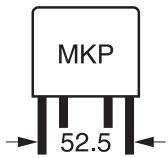
Lead spacing 37.5 mm

1200 V DC (2 pins)



1200 V DC (4 pins)





B32778Z

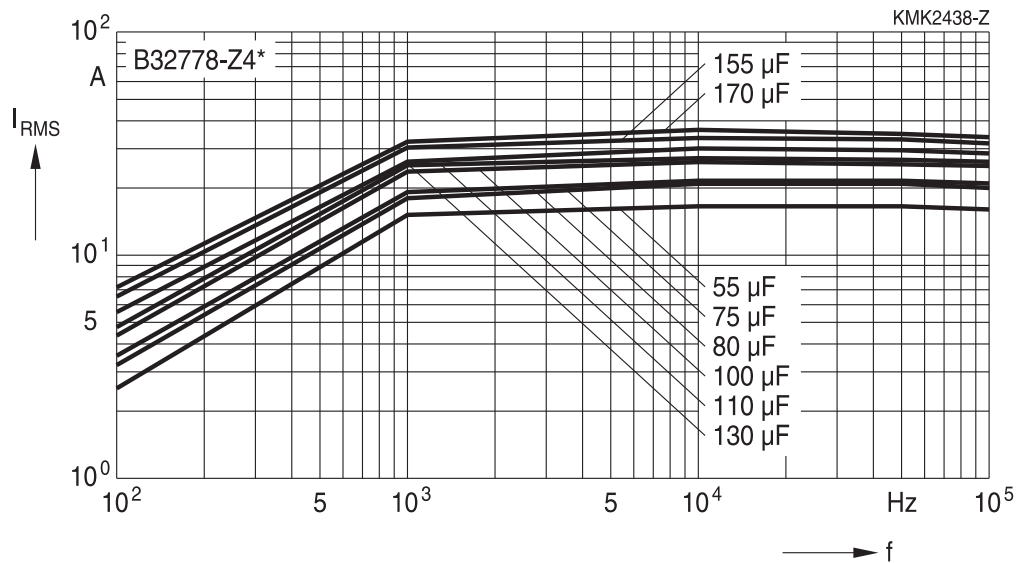
MKP DC link

Characteristics curves

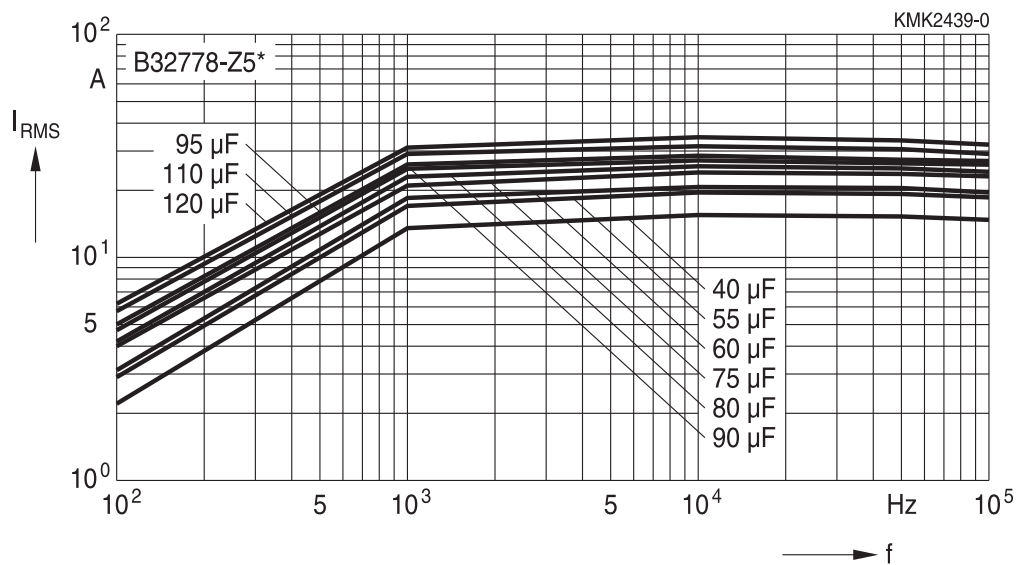
Permissible current I_{RMS} versus frequency f at $\leq 70\text{ }^\circ\text{C}$

Lead spacing 52.5 mm

500 V DC (4 pins)

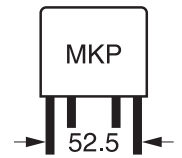


600 V DC (4 pins)



B32778Z

MKP DC link

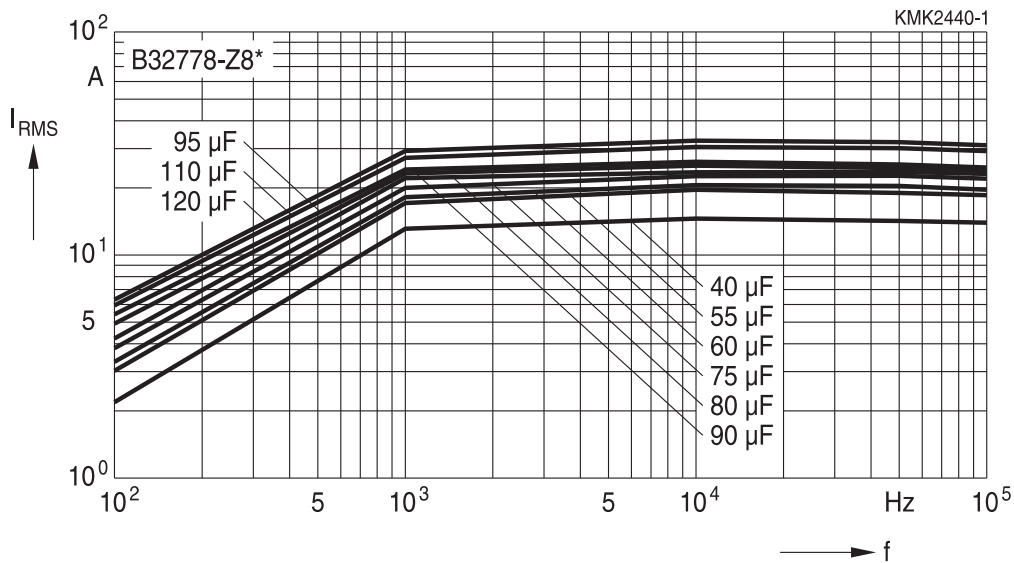


Characteristics curves

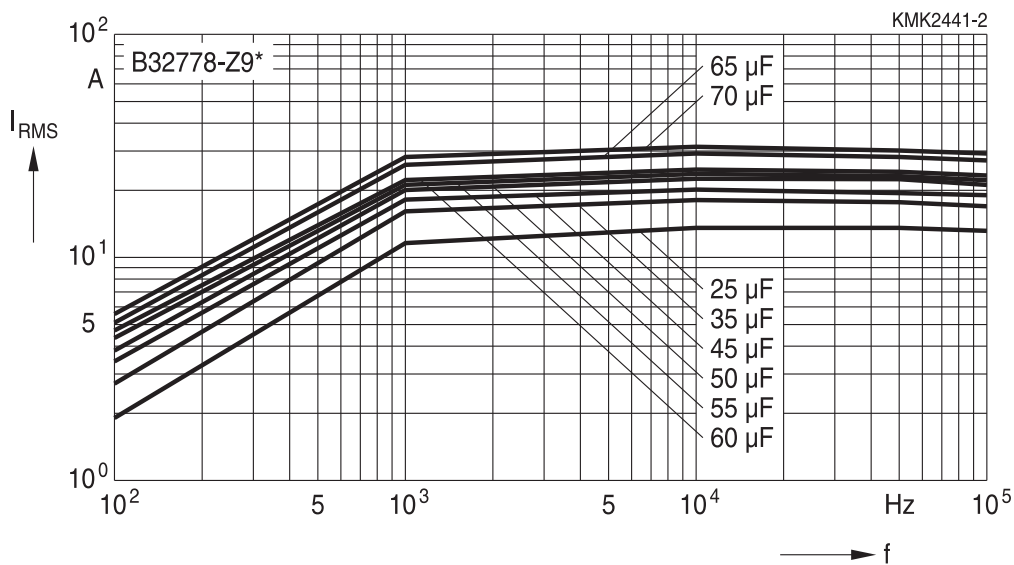
Permissible current I_{RMS} versus frequency f at $\leq 70\text{ }^\circ\text{C}$

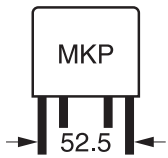
Lead spacing 52.5 mm

800 V DC (4 pins)



900 V DC (4 pins)





B32778Z

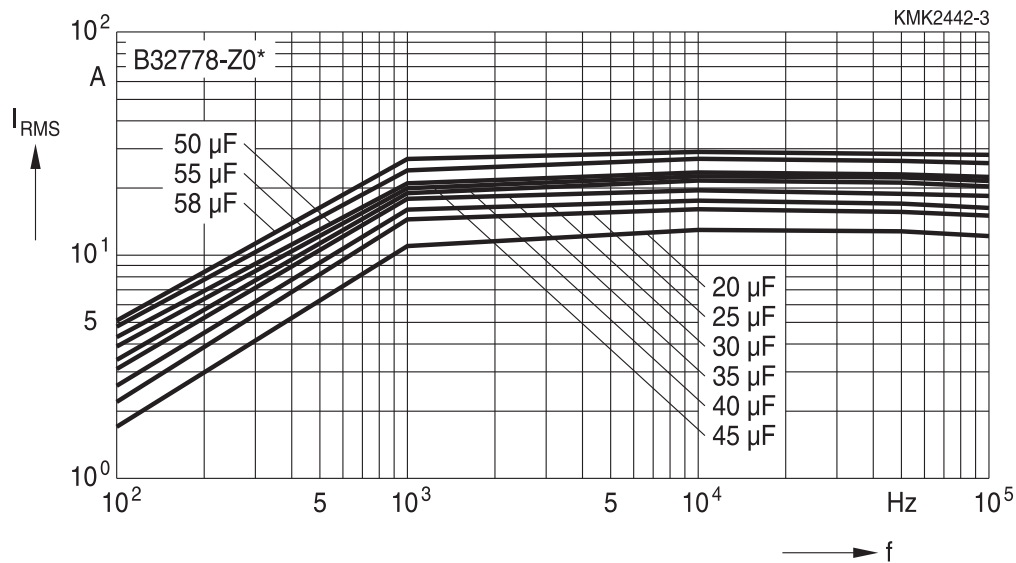
MKP DC link

Characteristics curves

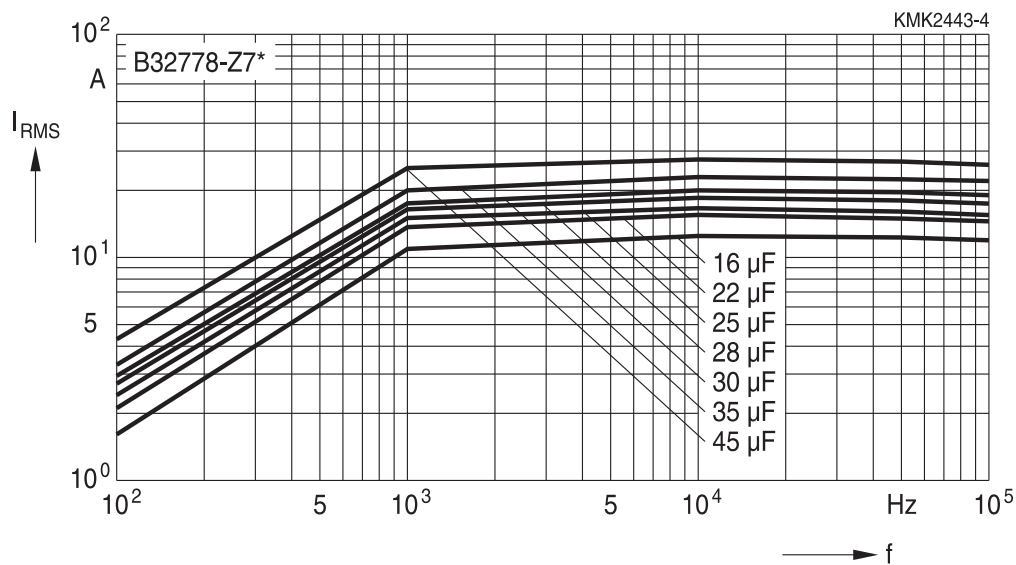
Permissible current I_{RMS} versus frequency f at $\leq 70\text{ }^{\circ}\text{C}$

Lead spacing 52.5 mm

1000 V DC (4 pins)

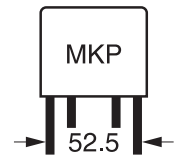


1100 V DC (4 pins)



B32778Z

MKP DC link

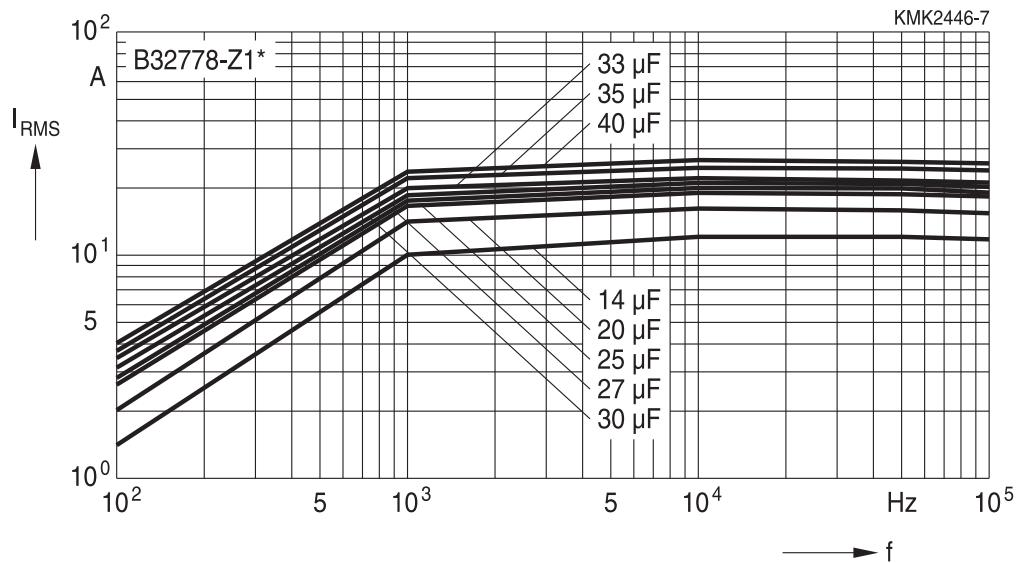


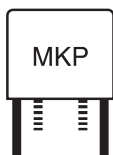
Characteristics curves

Permissible current I_{RMS} versus frequency f at $\leq 70^\circ\text{C}$

Lead spacing 52.5 mm

1200 V DC (4 pins)

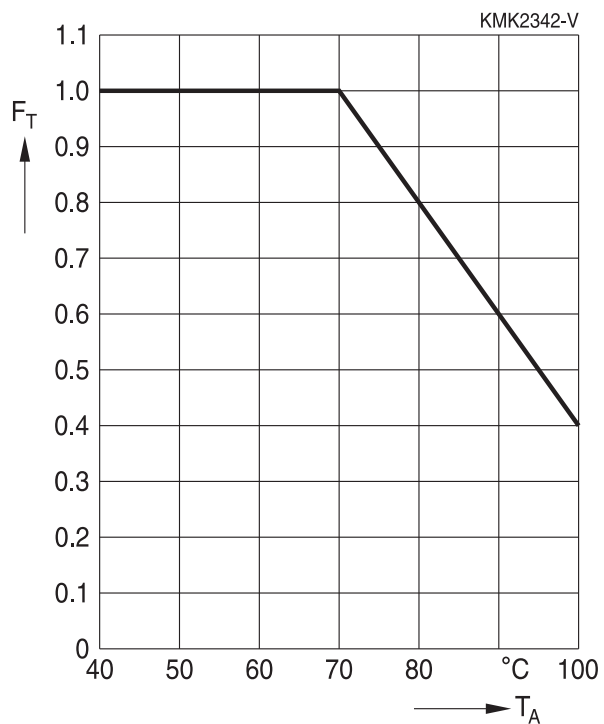




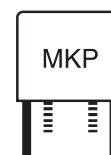
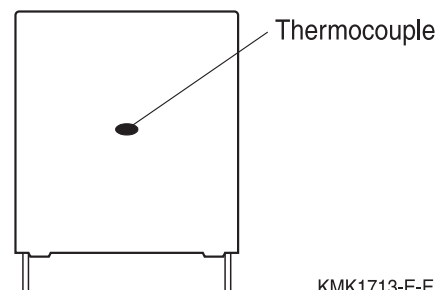
B3277*X/Y/Z

MKP DC link

Curves characteristics (I_{RMS} derating versus temperature)

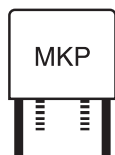


Maximum I_{RMS} current as function of the ambient temperature: $I_{RMS}(T_A) = F_T \times I_{RMS}(70\text{ °C})$


Heat transference for self heating calculation

Figure 1

| Box dimensions | | | Equivalent heat coefficient |
|----------------|--------|--------|-----------------------------|
| w (mm) | h (mm) | l (mm) | G (mW/°C) |
| 11.0 | 19.0 | 31.5 | 25 |
| 11.0 | 21.0 | 31.5 | 28 |
| 12.5 | 21.5 | 31.5 | 30 |
| 13.5 | 23.0 | 31.5 | 32 |
| 14.0 | 24.5 | 31.5 | 35 |
| 15.0 | 24.5 | 31.5 | 36 |
| 16.0 | 32.0 | 31.5 | 45 |
| 18.0 | 27.5 | 31.5 | 44 |
| 18.0 | 33.0 | 31.5 | 48 |
| 19.0 | 30.0 | 31.5 | 48 |
| 21.0 | 31.0 | 31.5 | 51 |
| 22.0 | 36.5 | 31.5 | 58 |
| 12.0 | 22.0 | 42.0 | 70 |
| 14.0 | 25.0 | 42.0 | 43 |
| 16.0 | 28.5 | 42.0 | 50 |
| 18.0 | 32.5 | 42.0 | 59 |
| 20.0 | 39.5 | 42.0 | 72 |
| 24.0 | 19.0 | 42.0 | 50 |
| 24.0 | 15.0 | 42.0 | 44 |
| 28.0 | 37.0 | 42.0 | 83 |
| 28.0 | 42.5 | 42.0 | 90 |
| 30.0 | 45.0 | 42.0 | 100 |
| 33.0 | 48.0 | 42.0 | 110 |
| 30.0 | 45.0 | 57.5 | 125 |
| 35.0 | 50.0 | 57.5 | 145 |
| 38.0 | 57.5 | 57.5 | 165 |

The equivalent heat coefficient "**G (mW/°C)**" is given for measuring the temperature on the lateral surface of the plastic box as figure1 shows. By using a thermocouple and avoiding effect of radiation and convection the temperature measured during operation conditions should be a result of the dissipated power divided by the equivalent heat coefficient.



B3277*X/Y/Z

MKP DC link

Self heating by power dissipation and equivalent heat coefficient

The I_{RMS} and consequently the power dissipation must be limited during operation in order to not exceed the maximum limit of ΔT allowed for this series. ΔT_{max} given for this series is equal or lower than 15 °C at rated temperature (70 °C), for higher ambient temperatures $\Delta T_{max}(T)$ will have the same derating factor than I_{RMS} versus temperature and then an equivalent derating as per:

$$\Delta T_{max}(T) = (\text{Factor})^2 \times \Delta T(70\text{ °C}).$$

For any particular I_{RMS} the ΔT may be calculated by:

$$\Delta T(\text{°C}) = P_{dis}(\text{mW}) / G(\text{mW/°C}).$$

Where $\Delta T(\text{°C})$ is the difference between the temperature measured on the box (see figure 1) and the ambient temperature when capacitor is working during normal operation;

$$\Delta T(\text{°C}) = T_{op}(\text{°C}) - T_A(\text{°C}).$$

It represents the increasing of temperature provoked by the I_{RMS} during operation.

$G(\text{mW/°C})$ is the equivalent heat coefficient described above and $P_{dis}(\text{mW})$ is the dissipated power defined by:

$$P_{dis}(\text{mW}) = ESR_{typ}(\text{m}\Omega) \times I_{RMS}^2(\text{A}_{RMS}).$$

Example for thermal calculation:

We will take as reference B32778Z0306K (30 $\mu\text{F}/1000\text{ V DC}$) type for thermal calculation. Considering the following load and capacitor characteristics:

I_{RMS} : 12 A_{RMS} at 20 kHz

T_A : 85 °C

35 × 45 × 57.5 box

$G(\text{mW/°C})$: 125

Then we have to find the ESR_{typ} at 20 kHz what is approximately 8.2 m Ω .

So according to $P_{dis}(\text{mW}) = ESR_{typ}(\text{m}\Omega) \times I_{RMS}^2(\text{A}_{RMS})$

we have the following: $P_{dis}(\text{mW}) = 8.2\text{ m}\Omega \times 12\text{ A}_{RMS}^2 = 1181\text{ mW}.$

And as per $\Delta T(\text{°C}) = P_{dis}(\text{mW}) / G(\text{mW/°C})$

we have the following: $\Delta T(\text{°C}) = 1181(\text{mW}) / 125(\text{mW/°C}) = 9.5\text{ °C}.$

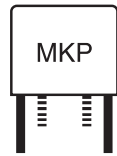
What is below of the $\Delta T_{max}(85\text{ °C}) = (\text{Factor})^2 \times \Delta T(70\text{ °C}) = (0.7)^2 \times 20\text{ °C} = 9.8\text{ °C}.$

On the other hand we may confirm according to page 33 that max. I_{RMS} at 20 kHz at 70 °C = 17.5 A_{RMS} .

And then max I_{RMS} for 85 °C of ambient temperature is defined as follows:

$$I_{RMS}(85\text{ °C}) = \text{Factor} \times I_{RMS}(70\text{ °C}) = 0.7 \times 17.5\text{ A}_{RMS} = 12.3\text{ A}_{RMS}.$$

What confirms once again that I_{RMS} (12 A_{RMS} at 20 kHz at 100 °C) is below the max specified for such frequency and ambient temperature.

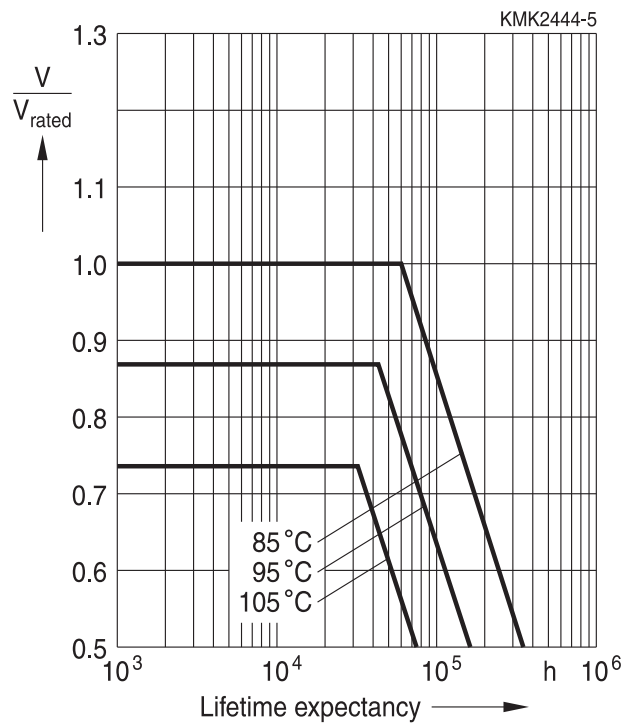


Service life

Life time expectancy – typical curve

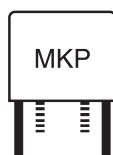
B3277*-X/Y4/5/8/9/0/7/1

(500 V DC, 600 V DC, 800 V DC, 900 V DC, 1000 V DC, 1100 V DC, 1200 V DC)



Note:

Confidence level of 95%

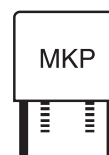


B3277*X/Y/Z

MKP DC link

Testing and Standards

| Test | Reference | Conditions of test | Performance requirements |
|---|---|---|---|
| Electrical parameters (Routine test) | IEC61071:2007 | Voltage between terminals, 1.5 V _R , during 10 s Insulation resistance, R _{ins} at V _R if V _R < 500 V or 500 V if V _R ≥ 500 V Capacitance, C at 1 kHz (room temperature) Dissipation factor, tan δ at 1/10 kHz (room temperature) | Within specified limits |
| Robustness of terminations (Type test) | IEC 60068-2-21:2006 | Tensile strength (test Ua1) Wire diameter Tensile force 0.5 < d ₁ ≤ 0.8 mm 10 N 0.8 < d ₁ ≤ 1.25 mm 20 N | Capacitance and tan δ within specified limits |
| Resistance to soldering heat (Type test) | IEC 60068-2-20:2008, test Tb, method 1A | Solder bath temperature at 260 ±5 °C, immersion for 10 seconds | ΔC/C ₀ ≤ 2% Δ tan δ ≤ 0.002 Mechanical: No visible damage |
| Rapid change of temperature (Type test) | IEC 61071:2007 | TA = lower category temperature TB = upper category temperature Five cycles, duration t = 30 min. | ΔC/C ₀ ≤ 2% Δ tan δ ≤ 0.002 Mechanical: No visible damage |
| Vibration and shocks (Type test) | IEC 61071:2007 | In accordance with IEC 60068-2-6 f = 10 Hz to 55 Hz a = ±0.35 mm Test duration per axis = 10 frequency cycles (3 axes offset from each other by 90°), 1 octave/min. Mounting conditions: The capacitor shall be fixed by the leads and the body must be properly clamped. | Electrical: ΔC/C ₀ ≤ 0.5% at 1 kHz Mechanical: No visible damage |



| Test | Reference | Conditions of test | Performance requirements |
|------------------------------------|-------------------|--|---|
| Climatic sequence (Type test) | IEC 60384-16:2005 | Dry heat Tb / 16 h Damp heat cyclic, 1 st cycle +55 °C / 24 h / 95% ... 100% RH Cold Ta / 2 h Damp heat cyclic, 5 cycles +55 °C / 24 h / 95% ... 100% RH | No visible damage $ \Delta C/C_0 \leq 3\%$ $ \Delta \tan \delta \leq 0.001$ $R_{ins} \geq 50\%$ of initial limit |
| Damp Heat Steady State (Type test) | IEC 60384-16:2005 | Test Ca 40 °C / 93% RH / 56 days | No visible damage $ \Delta C/C_0 \leq 5\%$ $ \Delta \tan \delta \leq 0.005$ (1kHz) $R_{ins} \geq 50\%$ of initial limit |
| Endurance (Type test) | IEC 60384-16:2005 | +85 °C / 1.3 V _R / 500 hours and 1000 discharges at 1.4 I _R | No visible damage $ \Delta C/C_0 \leq 3\%$ $ \Delta \tan \delta \leq 0.015$ $R_{ins} \geq 50\%$ of initial limit Mechanical: No visible damage |

Mounting guidelines

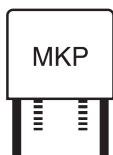
1 Soldering

1.1 Solderability of leads

The solderability of terminal leads is tested to IEC 60068-2-20, test Ta, method 1.

Before a solderability test is carried out, terminals are subjected to accelerated ageing (to IEC 60068-2-2, test Ba: 4 h exposure to dry heat at 155 °C). Since the ageing temperature is far higher than the upper category temperature of the capacitors, the terminal wires should be cut off from the capacitor before the ageing procedure to prevent the solderability being impaired by the products of any capacitor decomposition that might occur.

| | |
|-------------------------|--|
| Solder bath temperature | 235 ±5 °C |
| Soldering time | 2.0 ±0.5 s |
| Immersion depth | 2.0 +0/−0.5 mm from capacitor body or seating plane |
| Evaluation criteria: | |
| Visual inspection | Wetting of wire surface by new solder ≥90%, free-flowing solder |



B3277*X/Y/Z

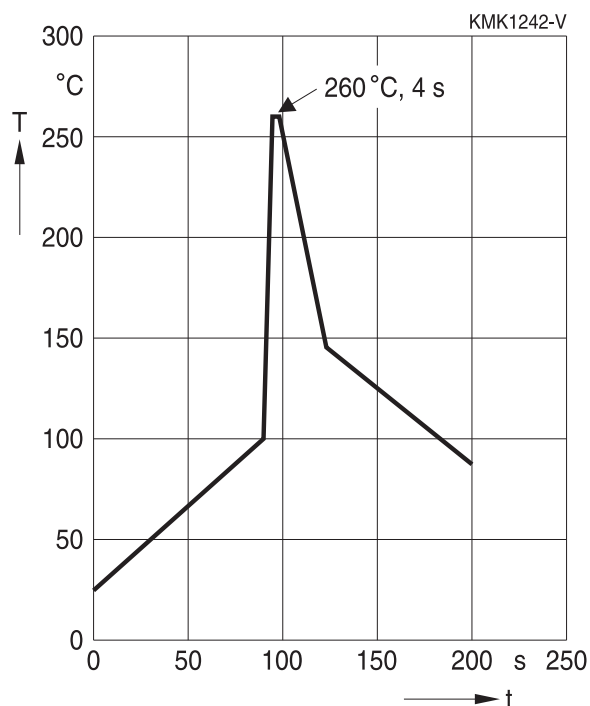
MKP DC link

1.2 Resistance to soldering heat

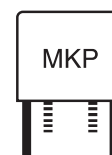
Resistance to soldering heat is tested to IEC 60068-2-20, test Tb, method 1.

Conditions:

| Series | Solder bath temperature | Soldering time |
|---|-------------------------|--|
| MKT boxed (except 2.5 × 6.5 × 7.2 mm) coated uncoated (lead spacing >10 mm) | 260 ±5 °C | 10 ±1 s |
| MFP MKP (lead spacing >7.5 mm) | | |
| MKT boxed (case 2.5 × 6.5 × 7.2 mm) MKP (lead spacing ≤7.5 mm) | | |
| MKT uncoated (lead spacing ≤10 mm) insulated (B32559) | | 5 ±1 s <4 s recommended soldering profile for MKT uncoated (lead spacing ≤ 10 mm) and insulated (B32559) |



| | |
|----------------------|---|
| Immersion depth | 2.0 +0/−0.5 mm from capacitor body or seating plane |
| Shield | Heat-absorbing board, (1.5 ±0.5) mm thick, between capacitor body and liquid solder |
| Evaluation criteria: | |
| Visual inspection | No visible damage |
| $\Delta C/C_0$ | 2% for MKT/MKP/MFP 5% for EMI suppression capacitors |
| $\tan \delta$ | As specified in sectional specification |



1.3 General notes on soldering

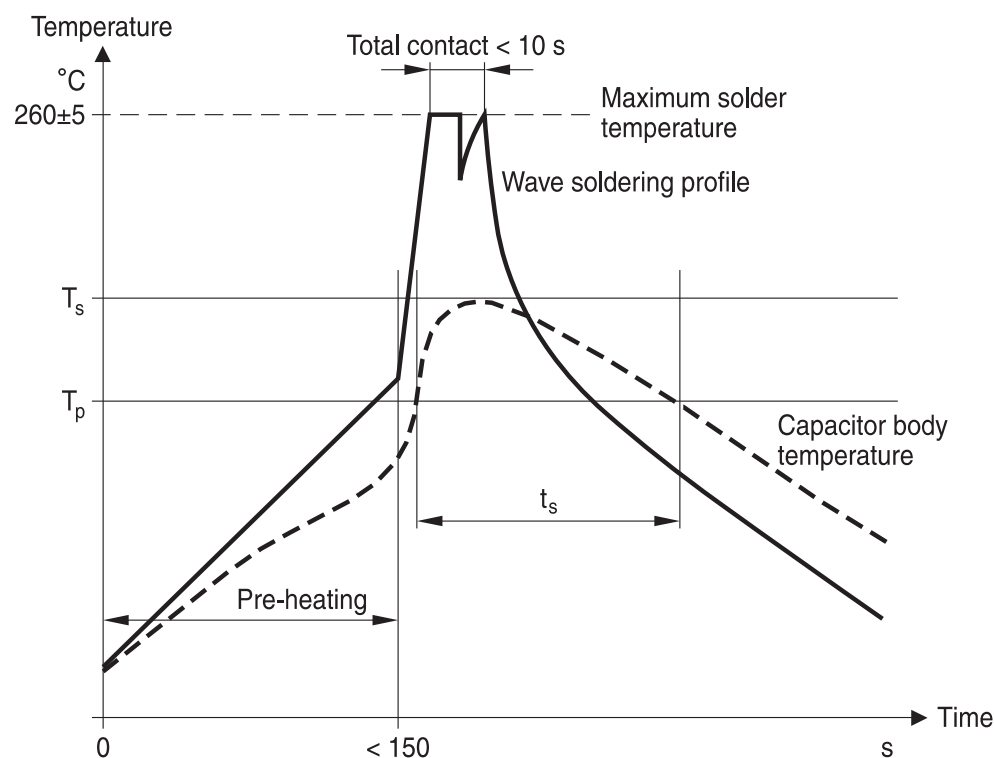
Permissible heat exposure loads on film capacitors are primarily characterized by the upper category temperature T_{max} . Long exposure to temperatures above this type-related temperature limit can lead to changes in the plastic dielectric and thus change irreversibly a capacitor's electrical characteristics. For short exposures (as in practical soldering processes) the heat load (and thus the possible effects on a capacitor) will also depend on other factors like:

- Pre-heating temperature and time
- Forced cooling immediately after soldering
- Terminal characteristics:
diameter, length, thermal resistance, special configurations (e.g. crimping)
- Height of capacitor above solder bath
- Shadowing by neighboring components
- Additional heating due to heat dissipation by neighboring components
- Use of solder-resist coatings

The overheating associated with some of these factors can usually be reduced by suitable countermeasures. For example, if a pre-heating step cannot be avoided, an additional or reinforced cooling process may possibly have to be included.

Recommendations

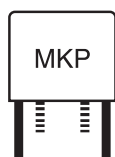
As a reference, the recommended wave soldering profile for our film capacitors is as follows:



T_s : Capacitor body maximum temperature at wave soldering

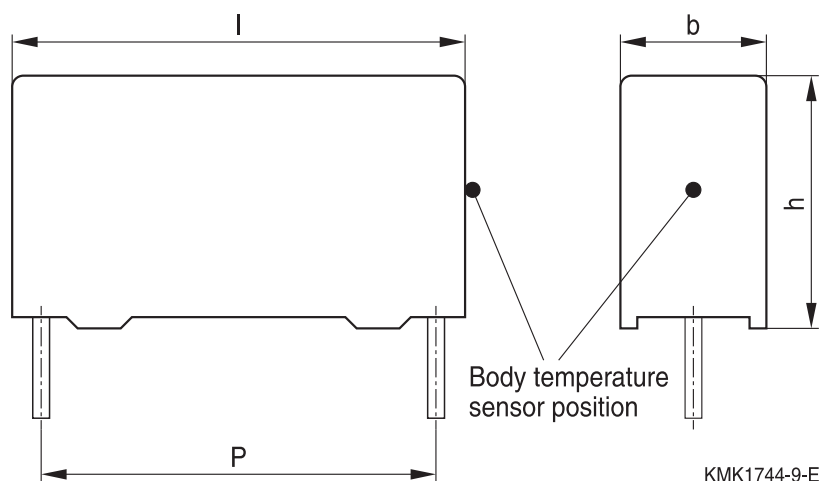
T_p : Capacitor body maximum temperature at pre-heating

KMK1745-A-E



B3277*X/Y/Z

MKP DC link



Body temperature should follow the description below:

- MKP capacitor
 - During pre-heating: $T_p \leq 110 \text{ }^\circ\text{C}$
 - During soldering: $T_s \leq 120 \text{ }^\circ\text{C}$, $t_s \leq 45 \text{ s}$
- MKT capacitor
 - During pre-heating: $T_p \leq 125 \text{ }^\circ\text{C}$
 - During soldering: $T_s \leq 160 \text{ }^\circ\text{C}$, $t_s \leq 45 \text{ s}$

When SMD components are used together with leaded ones, the film capacitors should not pass into the SMD adhesive curing oven. The leaded components should be assembled after the SMD curing step.

Leaded film capacitors are not suitable for reflow soldering.

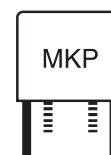
In order to ensure proper conditions for manual or selective soldering, the body temperature of the capacitor (T_s) must be $\leq 120 \text{ }^\circ\text{C}$.

One recommended condition for manual soldering is that the tip of the soldering iron should be $< 360 \text{ }^\circ\text{C}$ and the soldering contact time should be no longer than 3 seconds.

For uncoated MKT capacitors with lead spacings $\leq 10 \text{ mm}$ (B32560/B32561) the following measures are recommended:

- pre-heating to not more than $110 \text{ }^\circ\text{C}$ in the preheater phase
- rapid cooling after soldering

Please refer to our Film Capacitors Data Book in case more details are needed.

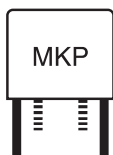


Cautions and warnings

- Do not exceed the upper category temperature (UCT).
- Do not apply any mechanical stress to the capacitor terminals.
- Avoid any compressive, tensile or flexural stress.
- Do not move the capacitor after it has been soldered to the PC board.
- Do not pick up the PC board by the soldered capacitor.
- Do not place the capacitor on a PC board whose PTH hole spacing differs from the specified lead spacing.
- Do not exceed the specified time or temperature limits during soldering.
- Avoid external energy inputs, such as fire or electricity.
- Avoid overload of the capacitors.
- Consult us if application is with severe temperature and humidity condition.
- There are no serviceable or repairable parts inside the capacitor. Opening the capacitor or any attempts to open or repair the capacitor will void the warranty and liability of TDK Electronics.
- Please note that the standards referred to in this publication may have been revised in the meantime.

The table below summarizes the safety instructions that must always be observed. A detailed description can be found in the relevant sections of the chapters "General technical information" and "Mounting guidelines".

| Topic | Safety information | Reference chapter "General technical information" |
|-------------------------|---|--|
| Storage conditions | Make sure that capacitors are stored within the specified range of time, temperature and humidity conditions. | 4.5 "Storage conditions" |
| Flammability | Avoid external energy, such as fire or electricity (passive flammability), avoid overload of the capacitors (active flammability) and consider the flammability of materials. | 5.3 "Flammability" |
| Resistance to vibration | Do not exceed the tested ability to withstand vibration. The capacitors are tested to IEC 60068-2-6:2007. TDK Electronics offers film capacitors specially designed for operation under more severe vibration regimes such as those found in automotive applications. Consult our catalog "Film Capacitors for Automotive Electronics". | 5.2 "Resistance to vibration" |



B3277*X/Y/Z

MKP DC link

| Topic | Safety information | Reference chapter "Mounting guidelines" |
|--|---|--|
| Soldering | Do not exceed the specified time or temperature limits during soldering. | 1 "Soldering" |
| Cleaning | Use only suitable solvents for cleaning capacitors. | 2 "Cleaning" |
| Embedding of capacitors in finished assemblies | When embedding finished circuit assemblies in plastic resins, chemical and thermal influences must be taken into account. Caution: Consult us first, if you also wish to embed other uncoated component types! | 3 "Embedding of capacitors in finished assemblies" |

Display of ordering codes for TDK Electronics products

The ordering code for one and the same product can be represented differently in data sheets, data books, other publications, on the company website, or in order-related documents such as shipping notes, order confirmations and product labels. The varying representations of the ordering codes are due to different processes employed and do not affect the specifications of the respective products.

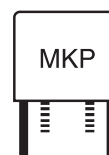
Detailed information can be found on the Internet under www.tdk-electronics.tdk.com/orderingcodes.

Correlation of data sheet values and modelling tool outputs

Data sheet values and results of design tools may deviate as they have not been derived in the same context.

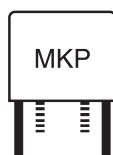
While data sheets show individual parameter statements without considering a possible dependency to other parameters. Tools model a complete given scenario as input and processed inside the tool.

Furthermore as we constantly strive to improve our models, the results of tools can change over time and be a non-binding indication only.



Symbols and terms

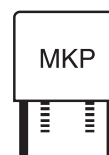
| Symbol | English | German |
|----------------------|---|---|
| α | Heat transfer coefficient | Wärmeübergangszahl |
| α_C | Temperature coefficient of capacitance | Temperaturkoeffizient der Kapazität |
| A | Capacitor surface area | Kondensatoroberfläche |
| β_C | Humidity coefficient of capacitance | Feuchtekoeffizient der Kapazität |
| C | Capacitance | Kapazität |
| C_R | Rated capacitance | Nennkapazität |
| ΔC | Absolute capacitance change | Absolute Kapazitätsänderung |
| $\Delta C/C$ | Relative capacitance change (relative deviation of actual value) | Relative Kapazitätsänderung (relative Abweichung vom Ist-Wert) |
| $\Delta C/C_R$ | Capacitance tolerance (relative deviation from rated capacitance) | Kapazitätstoleranz (relative Abweichung vom Nennwert) |
| dt | Time differential | Differentielle Zeit |
| Δt | Time interval | Zeitintervall |
| ΔT | Absolute temperature change (self-heating) | Absolute Temperaturänderung (Selbsterwärmung) |
| $\Delta \tan \delta$ | Absolute change of dissipation factor | Absolute Änderung des Verlustfaktors |
| ΔV | Absolute voltage change | Absolute Spannungsänderung |
| dV/dt | Time differential of voltage function (rate of voltage rise) | Differentielle Spannungsänderung (Spannungsflankensteilheit) |
| $\Delta V/\Delta t$ | Voltage change per time interval | Spannungsänderung pro Zeitintervall |
| E | Activation energy for diffusion | Aktivierungsenergie zur Diffusion |
| ESL | Self-inductance | Eigeninduktivität |
| ESR | Equivalent series resistance | Ersatz-Serienwiderstand |
| f | Frequency | Frequenz |
| f_1 | Frequency limit for reducing permissible AC voltage due to thermal limits | Grenzfrequenz für thermisch bedingte Reduzierung der zulässigen Wechselspannung |
| f_2 | Frequency limit for reducing permissible AC voltage due to current limit | Grenzfrequenz für strombedingte Reduzierung der zulässigen Wechselspannung |
| f_r | Resonant frequency | Resonanzfrequenz |
| F_D | Thermal acceleration factor for diffusion | Therm. Beschleunigungsfaktor zur Diffusion |
| F_T | Derating factor | Deratingfaktor |
| i | Current (peak) | Stromspitze |
| I_C | Category current (max. continuous current) | Kategoriestrom (max. Dauerstrom) |



B3277*X/Y/Z

MKP DC link

| Symbol | English | German |
|------------------|--|---|
| I_{RMS} | (Sinusoidal) alternating current, root-mean-square value | (Sinusförmiger) Wechselstrom |
| i_z | Capacitance drift | Inkonstanz der Kapazität |
| k_0 | Pulse characteristic | Impuls Kennwert |
| L_S | Series inductance | Serieninduktivität |
| λ | Failure rate | Ausfallrate |
| λ_0 | Constant failure rate during useful service life | Konstante Ausfallrate in der Nutzungsphase |
| λ_{test} | Failure rate, determined by tests | Experimentell ermittelte Ausfallrate |
| P_{diss} | Dissipated power | Abgegebene Verlustleistung |
| P_{gen} | Generated power | Erzeugte Verlustleistung |
| Q | Heat energy | Wärmeenergie |
| ρ | Density of water vapor in air | Dichte von Wasserdampf in Luft |
| R | Universal molar constant for gases | Allg. Molarkonstante für Gas |
| R | Ohmic resistance of discharge circuit | Ohmscher Widerstand des Entladekreises |
| R_i | Internal resistance | Innenwiderstand |
| R_{ins} | Insulation resistance | Isolationswiderstand |
| R_P | Parallel resistance | Parallelwiderstand |
| R_S | Series resistance | Serienwiderstand |
| S | severity (humidity test) | Schärfegrad (Feuchtetest) |
| t | Time | Zeit |
| T | Temperature | Temperatur |
| τ | Time constant | Zeitkonstante |
| $\tan \delta$ | Dissipation factor | Verlustfaktor |
| $\tan \delta_D$ | Dielectric component of dissipation factor | Dielektrischer Anteil des Verlustfaktors |
| $\tan \delta_P$ | Parallel component of dissipation factor | Parallelanteil des Verlustfaktors |
| $\tan \delta_S$ | Series component of dissipation factor | Serienanteil des Verlustfaktors |
| T_A | Temperature of the air surrounding the component | Temperatur der Luft, die das Bauteil umgibt |
| T_{max} | Upper category temperature | Obere Kategorietemperatur |
| T_{min} | Lower category temperature | Untere Kategorietemperatur |
| t_{OL} | Operating life at operating temperature and voltage | Betriebszeit bei Betriebstemperatur und -spannung |
| T_{op} | Operating temperature, $T_A + \Delta T$ | Betriebstemperatur, $T_A + \Delta T$ |
| T_R | Rated temperature | Nenntemperatur |
| T_{ref} | Reference temperature | Referenztemperatur |
| t_{SL} | Reference service life | Referenz-Lebensdauer |



| Symbol | English | German |
|-------------|---|---|
| V_{AC} | AC voltage | Wechselspannung |
| V_C | Category voltage | Kategoriespannung |
| $V_{C,RMS}$ | Category AC voltage | (Sinusförmige) Kategorie-Wechselspannung |
| V_{CD} | Corona-discharge onset voltage | Teilentlade-Einsatzspannung |
| V_{ch} | Charging voltage | Ladespannung |
| V_{DC} | DC voltage | Gleichspannung |
| V_{FB} | Fly-back capacitor voltage | Spannung (Flyback) |
| V_i | Input voltage | Eingangsspannung |
| V_o | Output voltage | Ausgangsspannung |
| V_{op} | Operating voltage | Betriebsspannung |
| V_p | Peak pulse voltage | Impuls-Spitzenspannung |
| V_{pp} | Peak-to-peak voltage Impedance | Spannungshub |
| V_R | Rated voltage | Nennspannung |
| \hat{V}_R | Amplitude of rated AC voltage | Amplitude der Nenn-Wechselspannung |
| V_{RMS} | (Sinusoidal) alternating voltage, root-mean-square value | (Sinusförmige) Wechselspannung |
| V_{SC} | S-correction voltage | Spannung bei Anwendung "S-correction" |
| V_{sn} | Snubber capacitor voltage | Spannung bei Anwendung "Beschaltung" |
| Z | Impedance | Scheinwiderstand |
| e | Lead spacing | Rastermaß |

Important notes

The following applies to all products named in this publication:

1. Some parts of this publication contain **statements about the suitability of our products for certain areas of application**. These statements are based on our knowledge of typical requirements that are often placed on our products in the areas of application concerned. We nevertheless expressly point out **that such statements cannot be regarded as binding statements about the suitability of our products for a particular customer application**. As a rule, we are either unfamiliar with individual customer applications or less familiar with them than the customers themselves. For these reasons, it is always ultimately incumbent on the customer to check and decide whether a product with the properties described in the product specification is suitable for use in a particular customer application.
2. We also point out that **in individual cases, a malfunction of electronic components or failure before the end of their usual service life cannot be completely ruled out in the current state of the art, even if they are operated as specified**. In customer applications requiring a very high level of operational safety and especially in customer applications in which the malfunction or failure of an electronic component could endanger human life or health (e.g. in accident prevention or lifesaving systems), it must therefore be ensured by means of suitable design of the customer application or other action taken by the customer (e.g. installation of protective circuitry or redundancy) that no injury or damage is sustained by third parties in the event of malfunction or failure of an electronic component.
3. **The warnings, cautions and product-specific notes must be observed.**
4. In order to satisfy certain technical requirements, **some of the products described in this publication may contain substances subject to restrictions in certain jurisdictions (e.g. because they are classed as hazardous)**. Useful information on this will be found in our Material Data Sheets on the Internet (www.tdk-electronics.tdk.com/material). Should you have any more detailed questions, please contact our sales offices.
5. We constantly strive to improve our products. Consequently, **the products described in this publication may change from time to time**. The same is true of the corresponding product specifications. Please check therefore to what extent product descriptions and specifications contained in this publication are still applicable before or when you place an order. We also **reserve the right to discontinue production and delivery of products**. Consequently, we cannot guarantee that all products named in this publication will always be available. The aforementioned does not apply in the case of individual agreements deviating from the foregoing for customer-specific products.
6. Unless otherwise agreed in individual contracts, **all orders are subject to our General Terms and Conditions of Supply**.

Important notes

7. **Our manufacturing sites serving the automotive business apply the IATF 16949 standard.** The IATF certifications confirm our compliance with requirements regarding the quality management system in the automotive industry. Referring to customer requirements and customer specific requirements (“CSR”) TDK always has and will continue to have the policy of respecting individual agreements. Even if IATF 16949 may appear to support the acceptance of unilateral requirements, we hereby like to emphasize that **only requirements mutually agreed upon can and will be implemented in our Quality Management System.** For clarification purposes we like to point out that obligations from IATF 16949 shall only become legally binding if individually agreed upon.
8. The trade names EPCOS, CarXield, CeraCharge, CeraDiode, CeraLink, CeraPad, CeraPlas, CSMP, CTVS, DeltaCap, DigiSiMic, ExoCore, FilterCap, FormFit, LeaXield, MiniBlue, MiniCell, MKD, MKK, ModCap, MotorCap, PCC, PhaseCap, PhaseCube, PhaseMod, PhiCap, PowerHap, PQSine, PQvar, SIFERRIT, SIFI, SIKOREL, SilverCap, SIMDAD, SiMic, SIMID, SineFormer, SIOV, ThermoFuse, WindCap, XieldCap are **trademarks registered or pending** in Europe and in other countries. Further information will be found on the Internet at www.tdk-electronics.tdk.com/trademarks.

Release 2020-06