

PLEASE CHECK WWW.MOLEX.COM FOR LATEST PART INFORMATION

Part Number: [1045216001](#)
Status: **Active**
Overview: [IllumiMate Connector System](#)
Description: IllumiMate 1.25mm Wire-to-Board Connector, Receptacle Terminal, Pre-plated, Tin (Sn)

Documents:

[Drawing \(PDF\)](#) [Packaging Specification PK-104521-001-001 \(PDF\)](#)
[Product Specification PS-104091-001-001 \(PDF\)](#) [RoHS Certificate of Compliance \(PDF\)](#)

General

Product Family	Crimp Terminals
Series	104521
Application	Signal, Wire-to-Board
Crimp Quality Equipment	Yes
Overview	IllumiMate Connector System
Product Name	IllumiMate
UPC	884982508835

Physical

Durability (mating cycles max)	30
Gender	Female
Material - Metal	Phosphor Bronze
Material - Plating Mating	Tin
Material - Plating Termination	Tin
Net Weight	0.028/g
Packaging Type	Reel
Termination Interface: Style	Crimp or Compression
Wire Insulation Diameter	0.95mm max.
Wire Size AWG	26, 32
Wire Size mm ²	N/A

Electrical

Current - Maximum per Contact	1.5A
Voltage - Maximum	250V

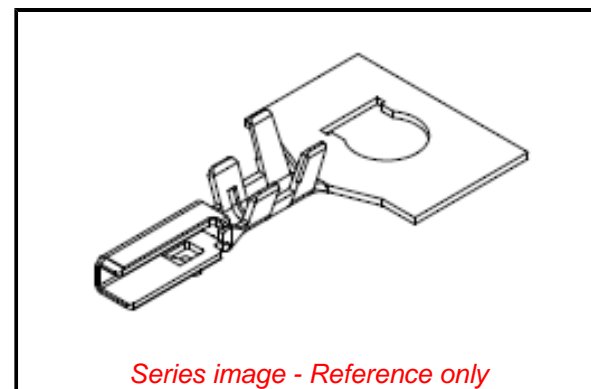
Solder Process Data

Lead-freeProcess Capability	N/A
-----------------------------	-----

Material Info

Reference - Drawing Numbers

Crimp Specification	CS-104521-001-001
Packaging Specification	PK-104521-001-001
Product Specification	PS-104091-001-001
Sales Drawing	SD-104521-001



EU ELV

Not Relevant

EU RoHS

Compliant

REACH SVHC

Not Contained Per - ED/71/2019 (16 July 2019)

Halogen-Free

Status

Low-Halogen

For more information, please visit [Contact US](#)

China ROHS

ELV

RoHS Phthalates

China RoHS

Green Image

Not Relevant

Not Contained

Search Parts in this Series

[104521](#) Series

Use With

IllumiMate Housings [104092](#) , [104105](#)

Application Tooling | FAQ

Tooling specifications and manuals are found by selecting the products below. Crimp Height Specifications are then contained in the Application Tooling Specification document.

Global

Description Product #

Hand Crimp Tool for IllumiMate 1.25mm Wire-to-Board Crimp Terminals	638272300
---	---------------------------

Mouser Electronics

Authorized Distributor

Click to View Pricing, Inventory, Delivery & Lifecycle Information:

[Molex:](#)

[104521-6001](#) [104521-6001 \(Mouser Reel\)](#) [104521-6001 \(Cut Strip\)](#) [104521-6001 \(Loose Piece\)](#)