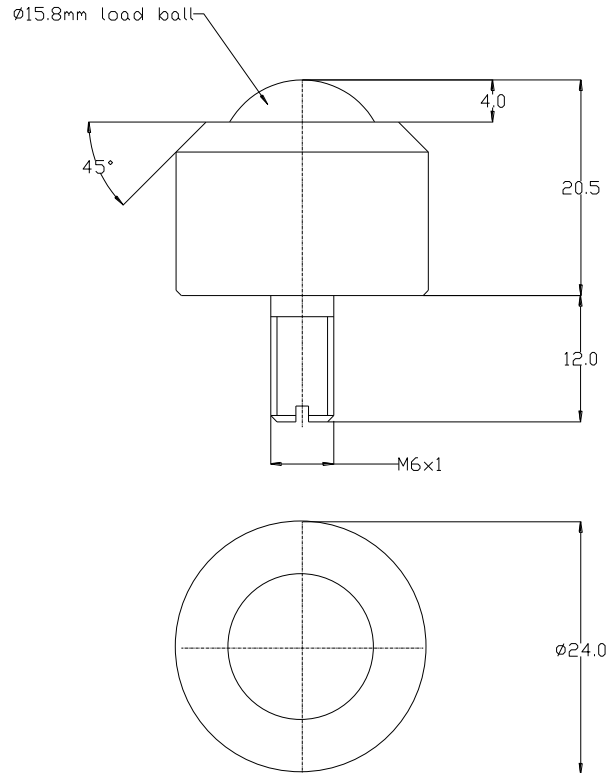


## 11MI1613 DATASHEET



REF No.	BALL SIZE (mm)	WEIGHT (kgs)	MAXIMUM DIAMETER (mm)	WORKING HEIGHT OF BALL (mm)	BALL EXPOSURE ABOVE OUTER RING (mm)	THREAD SIZE	THREAD LENGTH (mm)
11MI1613	Ø15.8	0.05	Ø24	20.5	4	M6 x 1.0	12.0

### MAXIMUM DYNAMIC LOADING

Type 13 Carbon steel bearings 70kgs ball up

### MATERIALS

Body and M4 screw thread – BS970 416 S21 stainless steel with self colour finish

Balls - Carbon steel hardened to 60HRC with self colour finish

Outer ring – Carbon steel with zinc plated finish

### KEY FEATURES

Small size

M6 screw thread fixing

Angled top on outer ring

### MAXIMUM OPERATING TEMPERATURE

100°C