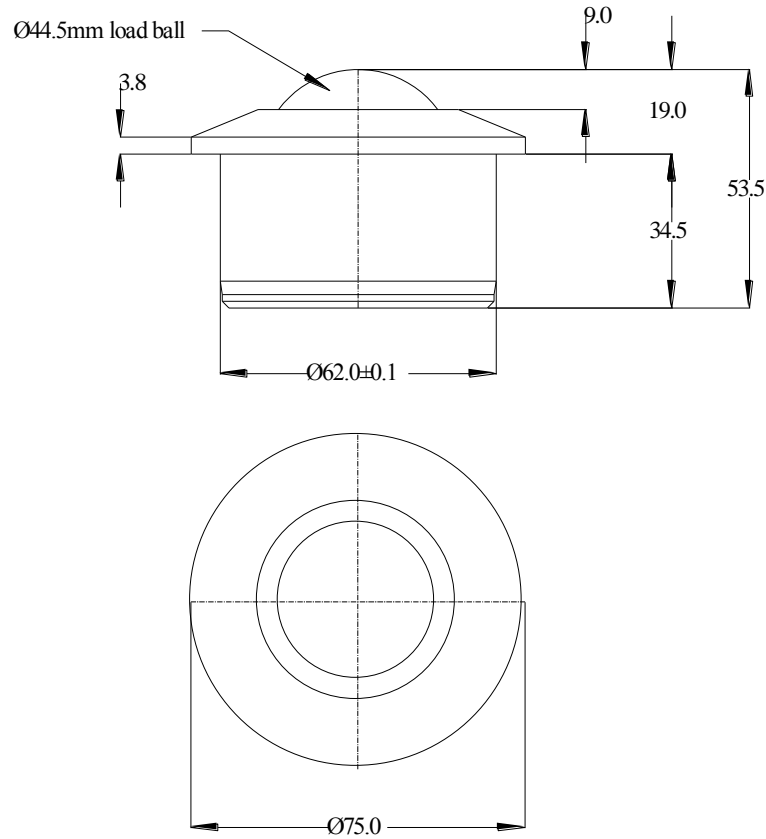


8004516 DATASHEET



PART No.	BALL SIZE (mm)	WEIGHT (Kgs)	MAXIMUM DIAMETER (mm)	WORKING HEIGHT OF BALL (mm)	BALL EXPOSURE ABOVE OUTER RING (mm)	BODY DIAMETER (mm)	FLANGE THICKNESS (mm)	OVERALL HEIGHT (mm)
8004516	Ø44.5	1.1	Ø75.0	19.0	9.0	Ø62.0 + - 0.1	3.8	53.5

MAXIMUM DYNAMIC LOADING – BALL UP

Type 13 Carbon Steel Bearings 600Kg

MATERIALS

Body - Carbon steel with zinc plated finish

Balls – Stainless steel AISI420C balls with hardness of 52 – 58HRC and self colour finish

Seal - Woollen felt seal

KEY FEATURES

Single dirt exit hole

Low profile

Strong solid steel body construction